



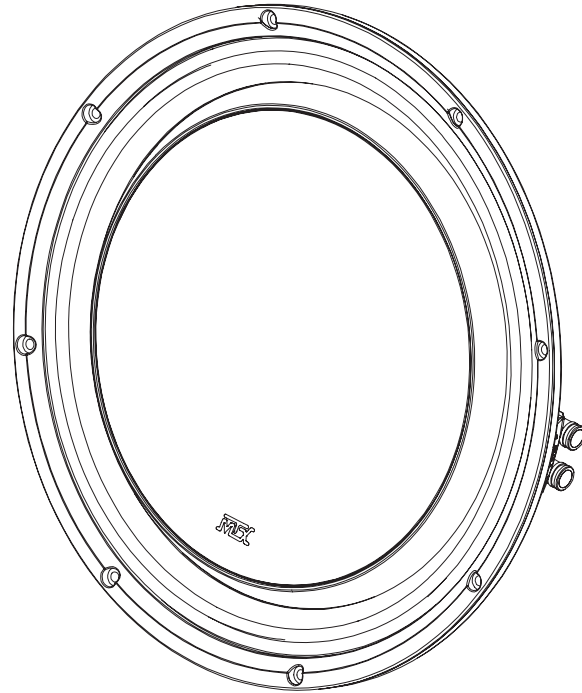
THUNDER®

3512-04S

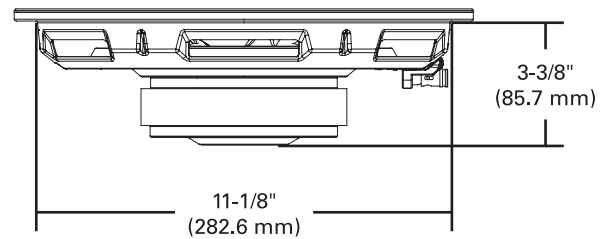
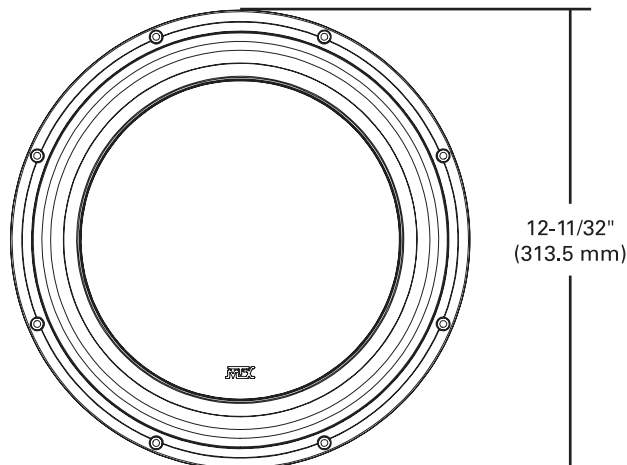
12" Single 4Ω Shallow Subwoofer

Parameters

Fs: 29.61 Hz
Qms: 3.33
Cms: 0.125 mm/N
Mms: 225 g
Rms: 12.91 kg/s
Vas: 2.039 ft³ (58 liters)
Xmax: 0.402 in (10.21 mm)
D: 10.64 in (270.3 mm)
Sd: 88.91 in² (573.6 cm²)
Vd: 35.33 in³ (0.579 liters)
Qes: 0.87
Re: 3.13 Ω
Bl: 12.35 Tm
Prms: 300 Watts RMS
Qts: 0.69
n_q: 0.166%
SPL_o: 84.4 dB
SPL 2.83V/1m: 88.48 dB



Specifications

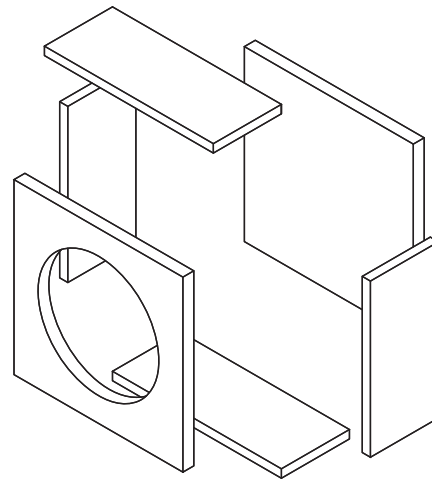
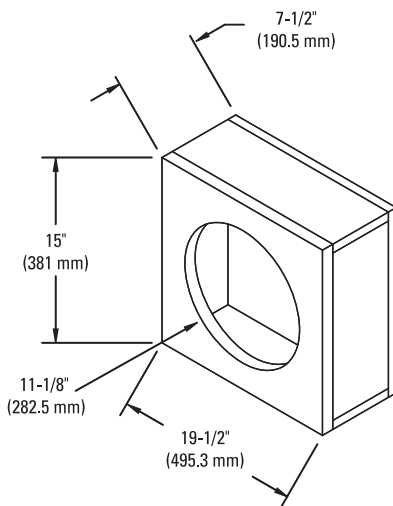


Recommended Power Rating of 200 - 400 Watts RMS

3512-04S Recommended Enclosures

For the best possible sound quality where space is a premium, MTX recommends using a sealed enclosure. For excellent sound quality with increased output compared to sealed enclosures (3dB or more), MTX recommends using a vented enclosure. All recommended enclosures have been designed and thoroughly tested by MTX. For additional enclosure designs check the MTX website.

Sealed Enclosure



Net Internal Volume: 0.84 ft³
Recommended Box Volume: 0.75 - 0.95 ft³