

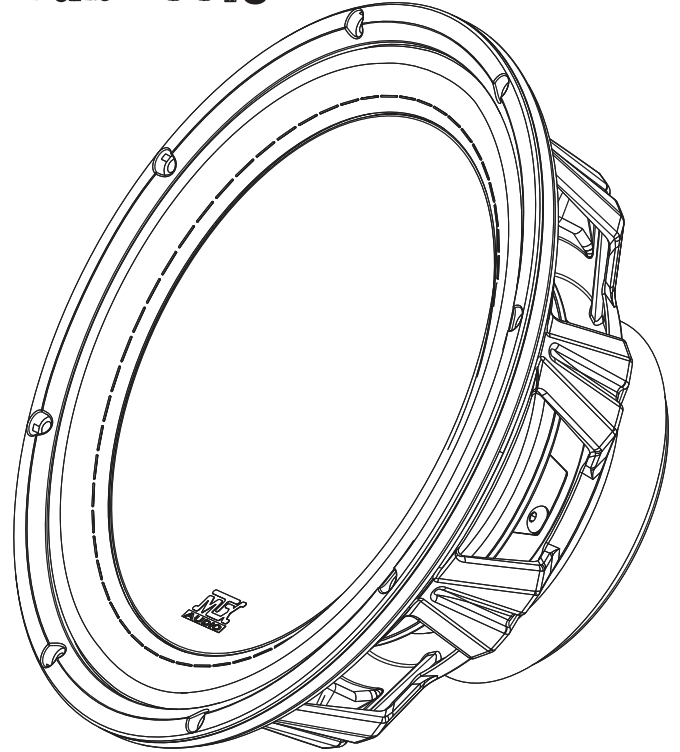


# 3510-04

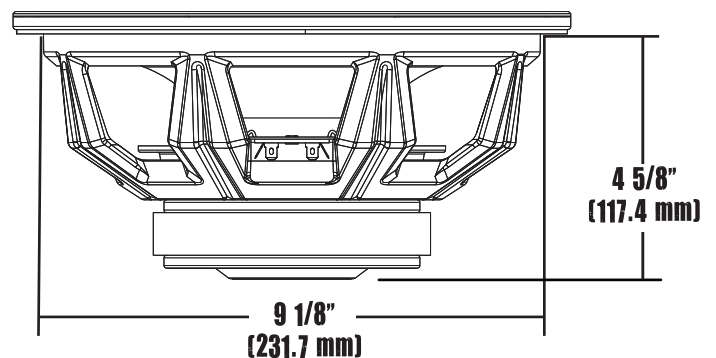
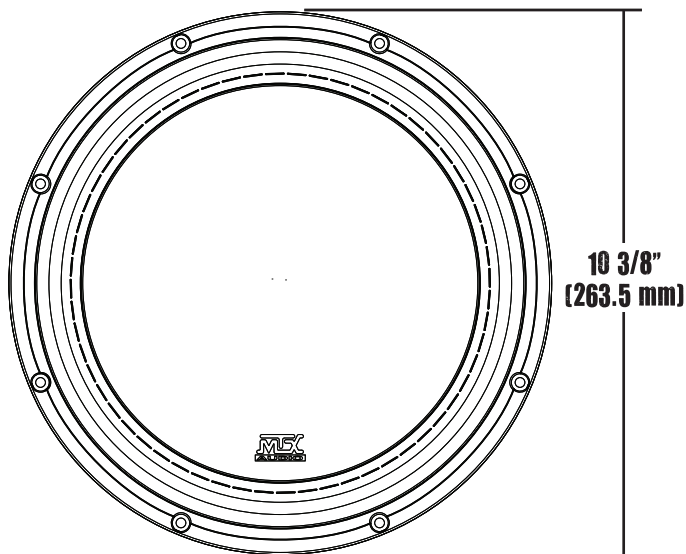
## 500W Peak Power Subwoofer

### Parameters

Fs: 33 Hz  
Qms: 3.751  
Cms: 0.183 mm/N  
Mms: 127.4 g  
Rms: 7.04 kg/s  
Vas: 1.39 ft<sup>3</sup> (39.4 liters)  
Xmax: 0.32 in (8.128 mm)  
D: 8.84 in (224.536 mm)  
Sd: 57.195 in<sup>2</sup> (369 cm<sup>2</sup>)  
Vd: 19.69 in<sup>3</sup> (0.322 liters)  
Qes: 1.058  
Re: 3.47 Ω  
Bl: 9.31 Tm  
Prms: 250 Watts  
Qts: 0.825  
n0: 0.129%  
SPLo: 83.3 dB  
SPL 2.83V/1m: 86.9 dB



### Specifications



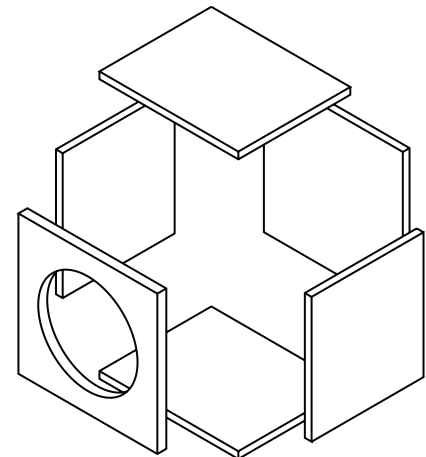
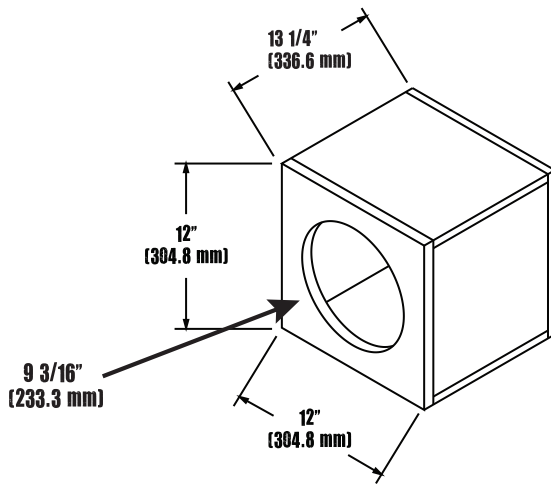
**Recommended Power Rating of 125 - 250 Watts RMS**

# 3510-04 Recommended Enclosures

For the best possible sound quality where space is a premium, MTX recommends using a sealed enclosure. For excellent sound quality with increased output compared to sealed enclosures (3dB or more), MTX recommends using a vented enclosure. All recommended enclosures have been designed and thoroughly tested by MTX.

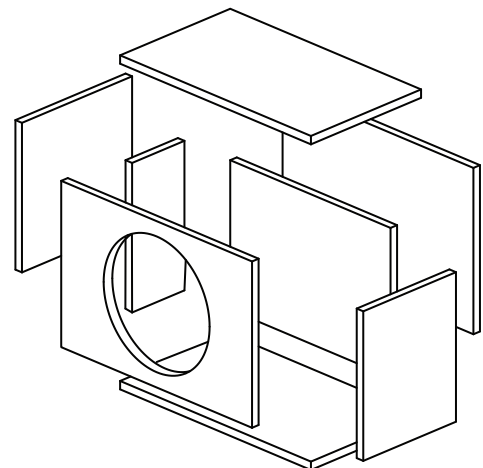
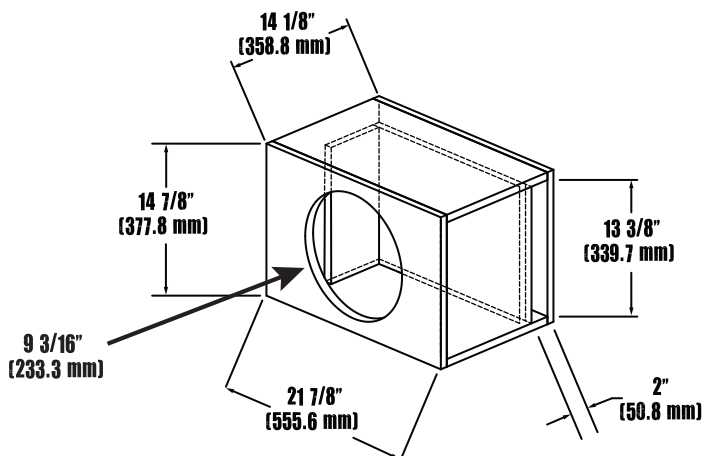
For additional enclosure designs check the MTX website, the barcode will take you to the box design page.

## Sealed Enclosure



Net Internal Volume: 0.75 ft<sup>3</sup>

## Vented Enclosure



Net Internal Volume: 2.00 ft<sup>3</sup>