



INSTALLATION INSTRUCTIONS

Street Fire GM LS Coils

LS1/6, '98-'06, PN 5508/PN 55088
L-Series Truck '99-'07, PN 5509/PN 55098
L-Series Truck '99-'09/SUV, PN 5510/PN 55108
LS2/3/4/7/9, '05-'13, PN 5511/PN 55118

ONLINE PRODUCT REGISTRATION: Register your MSD product online. Registering your product will help if there is ever a warranty issue with your product and helps the MSD R&D team create new products that you ask for!

IMPORTANT: Read the instructions before attempting the installation.

Parts Included, Single Coil:
1 - Coil

Parts Included, 8 Pack Coils:
8 - Coils

WARNING: During installation, disconnect the battery cables. When disconnecting the battery, always remove the Negative cable first and install it last.

There are several versions of LS coils, it is important to verify the correct coil for your application.



LS1/6, '98-'06,
PN 5508/PN55088



L-Series Truck '99-'07,
PN 5509/PN 55098



L-Series Truck, '99-'09,
PN 5510/PN 55108



LS2/3/4/7/9, '05-'13,
PN 5511/PN 55118

Figure 1 Coils





INSTALLATION INSTRUCTIONS

MOUNTING

The MSD Coil is designed to be a direct replacement but due to the number of applications available, the mounting of the coils may be slightly different.

1. Remove the coil covers (if supplied) from the valve covers.
2. Remove the spark plug wire from the coil.
3. Disconnect the factory connector, remove the coil retaining bolts and remove the coil.
4. Install the MSD Coil in the same position as the original coil.
5. Connect the wiring harness and spark plug wire.

Note: MSD Super Conductor 8.5mm Spark Plug wire sets, PN 32813, PN 32819, PN 32823 or PN 32829 are recommended.

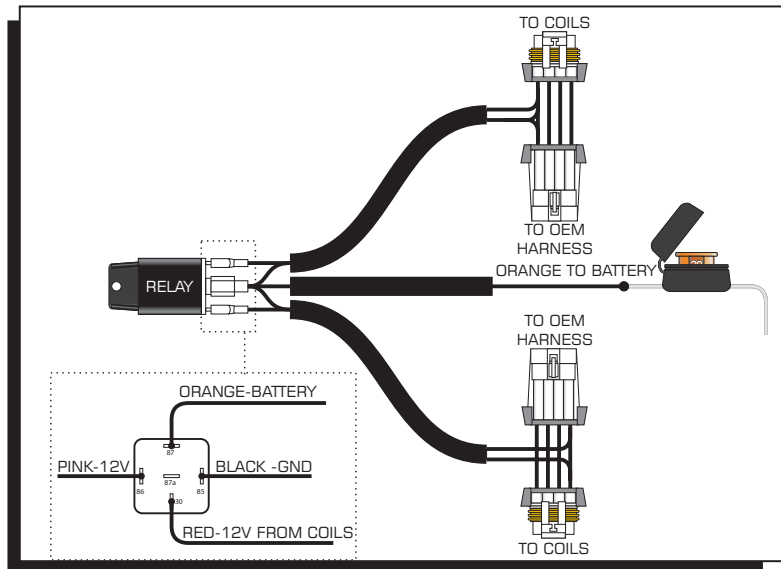


Figure 2 Optimal High Voltage Supply Harness

HIGH VOLTAGE SUPPLY HARNESS

MSD has found that the OE used a variety of different gauge wiring to supply the input voltage through the main coil harness. In cases of sustained high rpm and extreme loads, there may be insufficient voltage being supplied to the coils that could cause a check engine light and lower performance expectations.

MSD offers an accessory harness with a built-in relay and fuse that will ensure full delivery of the input voltage to the coils. The Harness, PN 88867, will plug-into the factory coil harness on each cylinder bank.

Service

In case of malfunction, this MSD component will be repaired free of charge according to the terms of the warranty. When returning MSD components for warranty service, **Proof of Purchase** must be supplied for verification. After the warranty period has expired, repair service is based on a minimum and maximum fee.

When returning the unit for repair, leave all wires at the length in which you have them installed. Be sure to include a detailed account of any problems experienced, and what components and accessories are installed on the vehicle. The repaired unit will be returned as soon as possible using Ground shipping methods (ground shipping is covered by warranty).

Limited Warranty

MSD warrants this product to be free from defects in material and workmanship under its intended normal use*, when properly installed and purchased from an authorized MSD dealer, for a period of one year from the date of the original purchase. This warranty is void for any products purchased through auction websites. If found to be defective as mentioned above, it will be repaired or replaced at the option of MSD. Any item that is covered under this warranty will be returned free of charge using Ground shipping methods.

This shall constitute the sole remedy of the purchaser and the sole liability of MSD. To the extent permitted by law, the foregoing is exclusive and in lieu of all other warranties or representation whether expressed or implied, including any implied warranty of merchantability or fitness. In no event shall MSD or its suppliers be liable for special or consequential damages.

*Intended normal use means that this item is being used as was originally intended and for the original application as sold by MSD. Any modifications to this item or if it is used on an application other than what MSD markets the product, the warranty will be void. It is the sole responsibility of the customer to determine that this item will work for the application they are intending. MSD will accept no liability for custom applications.