

# **MSD** INSTALLATION INSTRUCTIONS

## **MSD Pro Power™ LS Coil** Red, PN 8287, Single, PN 82878, 8 Pack Black, PN 82873, Single, PN 828783, 8 Pack

**IMPORTANT:** Read the instructions before attempting the installation.

### **Parts Included, PN 8287:**

- 1 - Coil
- 1 - Parts Bag
- 1 - 2-Pin Connector (installed)

### **Parts Included, PN 82878:**

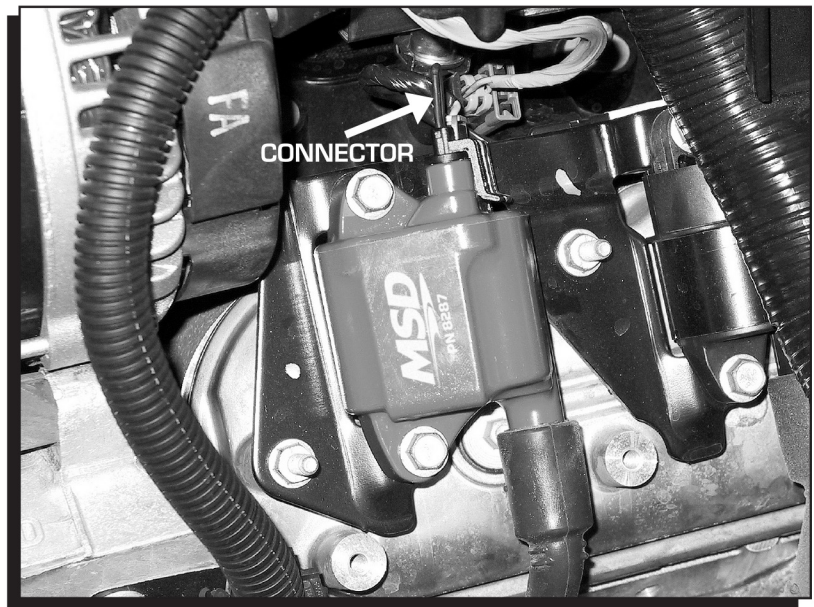
- 8 - Coils
- 1 - Parts Tube, Mounting Hardware
- 8 - 2-Pin Connectors in second Tube

There are several versions of LS coils used so it is important to verify that the PN 8287 is the correct coil for your application. This coil was designed for the LS2/3/4/7/9 platform.

### **MOUNTING**

The MSD Coil is designed to be a direct replacement for most GM Gen-III, IV and V engines. Due to the number of applications available, the mounting or clearance of the coils may be slightly different. MSD has supplied different hardware to assist in mounting the MSD Coil when the factory hardware will not work. In some instances, a bracket may require slight grinding to fit.

1. Remove the coils covers (if present) from the valve covers.
2. Remove the spark plug wire from the coil.
3. Disconnect the factory wiring harness and remove the coil retaining bolts.
4. If needed install 2-Pin Connector.
5. Install the MSD Coil in the same position as the factory coil using the factory mounting hardware or the supplied screws.
6. Connect the factory harness and spark plug wire.
7. Reinstall the coil covers.



**Figure 1 Coil Location and Connector**

**IMPORTANT:** Notice that the MSD Coil has the connector installed (Figure 1). This 2-pin connector must be plugged in to the coil. If not, the coil will not operate.

**Note:** MSD Super Conductor 8.5mm Spark Plug wire sets, PN 32813, PN 32819, PN 32823, PN 32829, PN 33823 or PN 33829 are recommended.

# MSD INSTALLATION INSTRUCTIONS

## HIGH VOLTAGE SUPPLY HARNESS

MSD has found that the OE used a variety of different gauge wiring to supply the input voltage through the main coil harness. In cases of sustained high rpm and extreme loads, there may be insufficient voltage being supplied to the coils that could cause a check engine light and lower performance expectations.

MSD offers an accessory harness with a built-in relay and fuse that will ensure full delivery of the input voltage to the coils. The Harness PN 88867, will plug-into the factory coil harness on each cylinder bank. This can be purchased through your MSD dealer.

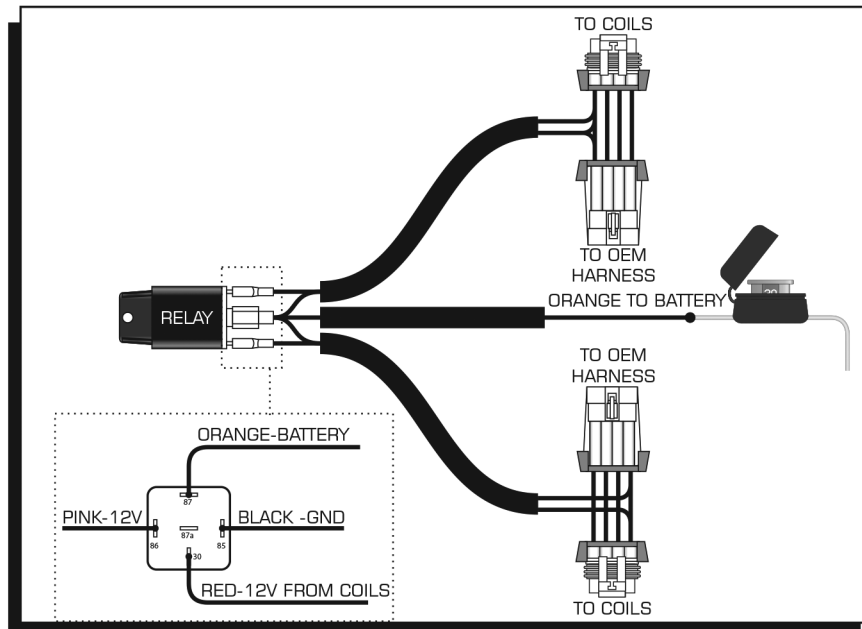


Figure 2 Optimal High Voltage Supply Harness

### Service

In case of malfunction, this MSD component will be repaired free of charge according to the terms of the warranty. When returning MSD components for warranty service, **Proof of Purchase** must be supplied for verification. After the warranty period has expired, repair service is based on a minimum and maximum fee.

When returning the unit for repair, leave all wires at the length in which you have them installed. Be sure to include a detailed account of any problems experienced, and what components and accessories are installed on the vehicle. The repaired unit will be returned as soon as possible using Ground shipping methods (ground shipping is covered by warranty).

### Limited Warranty

MSD warrants this product to be free from defects in material and workmanship under its intended normal use\*, when properly installed and purchased from an authorized MSD dealer, for a period of one year from the date of the original purchase. If found to be defective as mentioned above, it will be repaired or replaced at the option of MSD. Any item that is covered under this warranty will be returned free of charge using Ground shipping methods.

This shall constitute the sole remedy of the purchaser and the sole liability of MSD. To the extent permitted by law, the foregoing is exclusive and in lieu of all other warranties or representation whether expressed or implied, including any implied warranty of merchantability or fitness. In no event shall MSD or its suppliers be liable for special or consequential damages.

\*Intended normal use means that this item is being used as was originally intended and for the original application as sold by MSD. Any modifications to this item or if it is used on an application other than what MSD markets the product, the warranty will be void. It is the sole responsibility of the customer to determine that this item will work for the application they are intending. MSD will accept no liability for custom applications.