

MSD[®] IGNITION INSTALLATION INSTRUCTIONS

MSD-to-Dodge Harness 1998-2003, PN 8884/1990-1997, PN 8889

Parts Included:

- 1 - [MSD Harness](#)

IMPORTANT: Review the Ignition Control Instructions before attempting the installation.

The MSD-to-Dodge Coil Harness is designed to provide a splice-free and simple installation of an MSD Ignition Control to late model Dodge vehicles equipped with the coil shown in Figure 1.

MSD 6 and 7 Series Ignitions

All of the wires connect to the corresponding colored wires (Figure 2). MSD 7 Series Ignitions share the same color wires.

1. Disconnect the connector from the coil and connect it to the MSD PN 8884/PN 8889 Harness.
2. Connect the other end of the Harness to the Coil.
3. Connect the four wires of the Harness to the MSD Ignition Control.

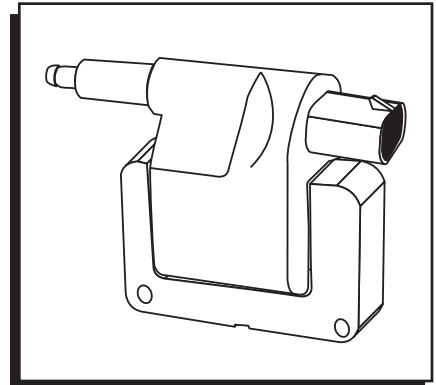


Figure 1 Dodge Coil.

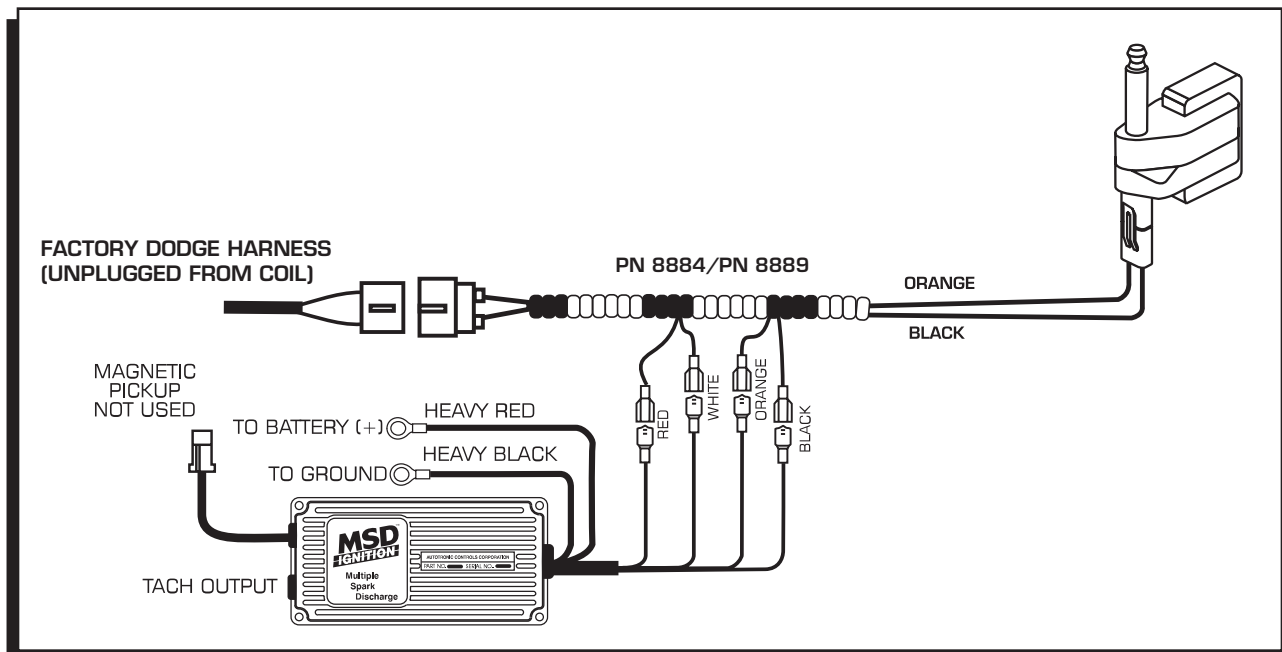


Figure 2 Installation with an MSD 6 or 7 Series Ignition Control.

MSD IGNITION INSTALLATION INSTRUCTIONS

Installation with an MSD Timing Control

The PN 8884/PN 8889 may still be used when adding an MSD Timing Control. Figure 3 shows a common installation.

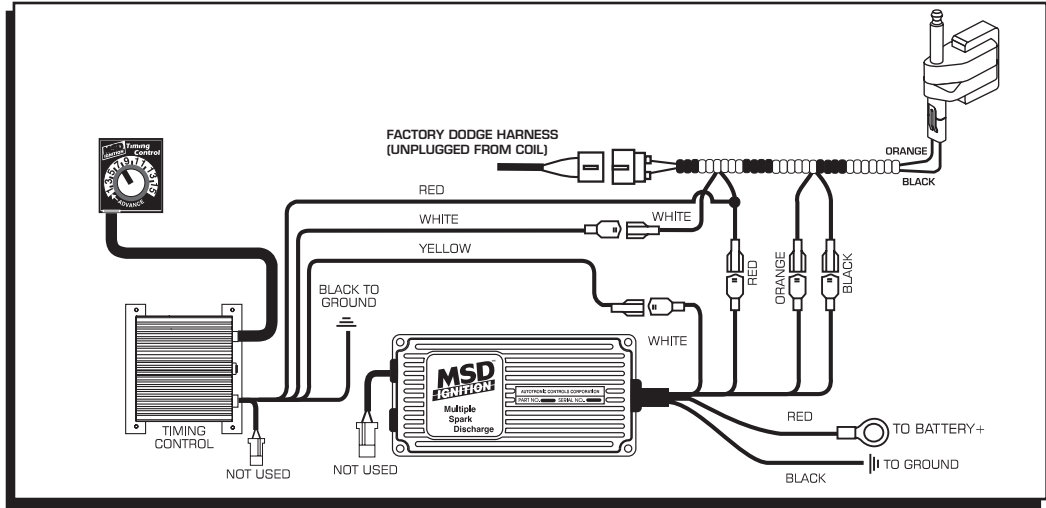


Figure 3 Wiring in an MSD Timing Control with a 6 or 7 Series Ignition.

MSD 5 and Blaster Ignition

Note that the MSD 5 and Blaster Ignitions wire differently than the 6 and 7 Series Ignitions. The Red wire of the MSD 5 or Blaster Ignition connects to **both** the Harness Orange and Red wires (Figure 4).

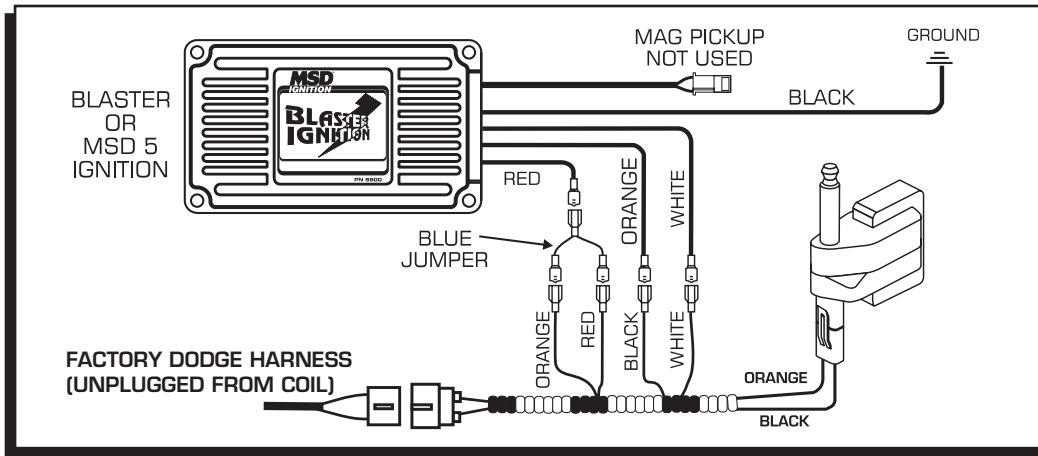


Figure 4 Installation with an MSD 5 or Blaster Ignition.