

MSD IGNITION INSTALLATION INSTRUCTIONS

Ford TFI Coil Harness PN 8874

IMPORTANT: Review the Ignition Control instructions before attempting the installation.

Parts Included:

1 - Harness

The MSD to Ford TFI Coil Harness is designed to provide a splice-free and simple installation of an MSD Ignition Control to Ford vehicles equipped with a TFI Coil (Figure 1).

MSD 6 and 7 Series Ignitions

All of the wires connect to the corresponding colored wires (Figure 2). MSD 7 Series Ignitions share the same color wires.

1. Disconnect the connector from the coil and connect it to the MSD PN 8874 Harness.
2. Connect the other end of the Harness to the Coil.
3. Connect the four wires of the Harness to the MSD Ignition Control.

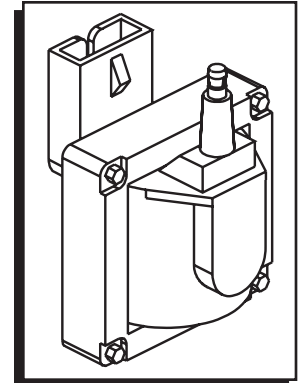


Figure 1 TFI Ford Coil.

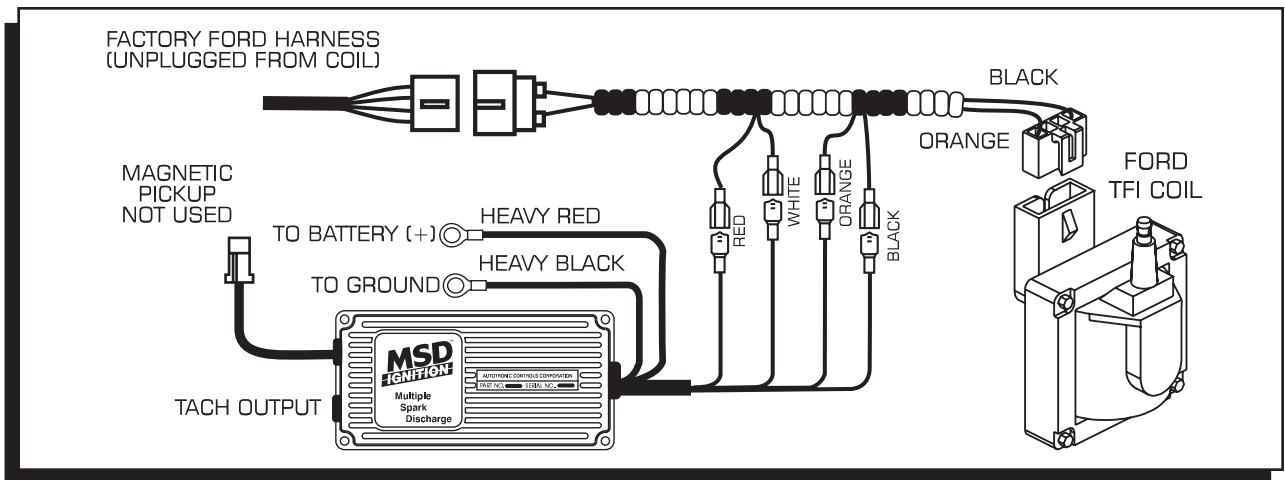


Figure 2 Installation with an MSD 6 or 7 Series Ignition Control.

Installation with an MSD Timing Control

The PN 8874 may still be used when adding an MSD Timing Control. Figure 3 shows a common installation.

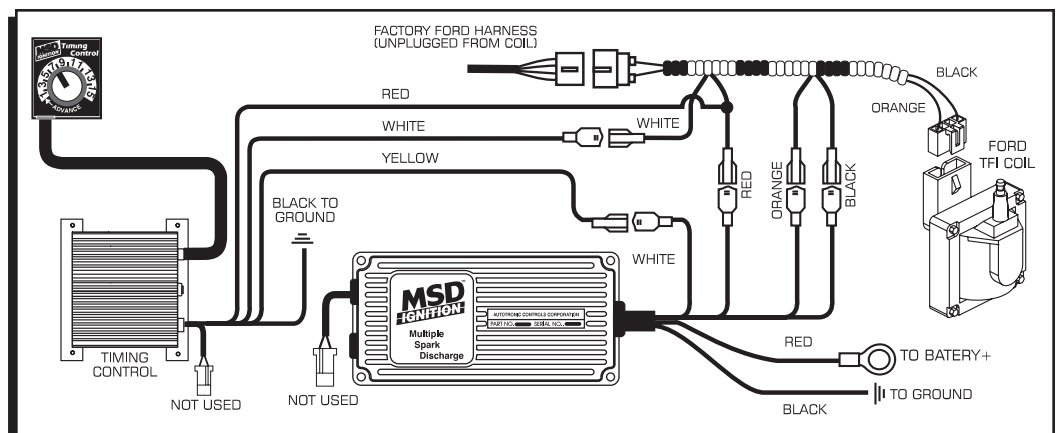


Figure 3 Wiring in an MSD Timing Control with a 6 or 7 Series Ignition.

MSD[®] IGNITION INSTALLATION INSTRUCTIONS

MSD 5 and Blaster Ignition

Note that the MSD 5 and Blaster Ignitions wire differently than the 6 and 7 Series Ignitions. The Red wire of the MSD 5 or Blaster Ignition connects to **both** the Harness Orange and Red wires (Figure 4).

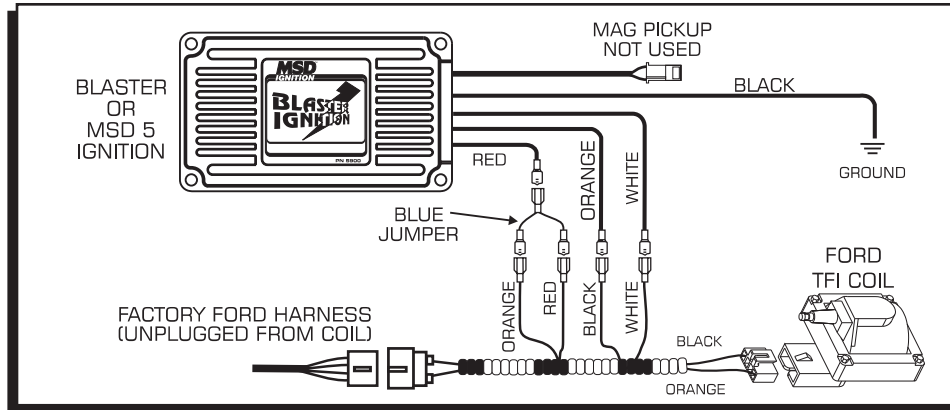


Figure 4 Installation with an MSD 5 or Blaster Ignition.