

MSD[®] IGNITION

INSTALLATION INSTRUCTIONS

MSD Blaster Coil

PN 8202, PN 8223

High Vibration Blaster Coil

PN 8222

Parts Included:

- | | |
|---|----------------------------------|
| 1 - Blaster Coil, PN 8202, PN 8223, PN 8222 | (PN 8223 also is supplied with a |
| 2 - Brass Nuts and Lock Washers | 90° Plug Terminal and Boot) |

Note: This Blaster Coil Kit is intended to be used with an MSD Ignition. If installing on a stock, points style ignition system, a 0.8 ohm ballast resistor or resistor wiring **MUST** be installed. MSD offers this Ballast Resistor as PN 8214 or the Blaster Coil Kits, PN 8200 and 8203 are equipped with one.

WARNING: Failure to use a ballast resistor could result in personal injury or component failure.

The Blaster Coil is designed to mount in most factory canister coil mounts. MSD also offers a Chrome Coil Bracket, PN 8213. It is recommended to mount the PN 8202 and 8223 coils in an upright position. The High Vibration Coil, PN 8222, can be mounted in any position due to its epoxy potting compound.

INSTALLATION

WARNING: During installation, disconnect the battery cables. When disconnecting the battery, always remove the Negative (-) cable first and install it last.

1. Mark the original coil wires as positive (+) and negative (-) and remove the wires.
2. Remove the high voltage coil wire (spark plug wire) and remove the coil from the bracket.
3. Install the Blaster Coil into the mount and tighten.

WIRING TO AN MSD 6 OR 7 SERIES IGNITION

The MSD 6 and 7 Ignitions are Capacitive Discharge Ignitions. They receive 12 volts directly from the battery and are responsible for delivering the positive voltage to the coil. Therefore, a 12 volt source wire is not required at the coil. When the installation with an MSD Ignition is complete, there will only be two wires making direct contact to the coil terminals: The Orange Wire from the MSD connects to the coil positive (+) terminal. The small Black wire from the MSD connects to the coil negative (-) terminal (Figure 1).

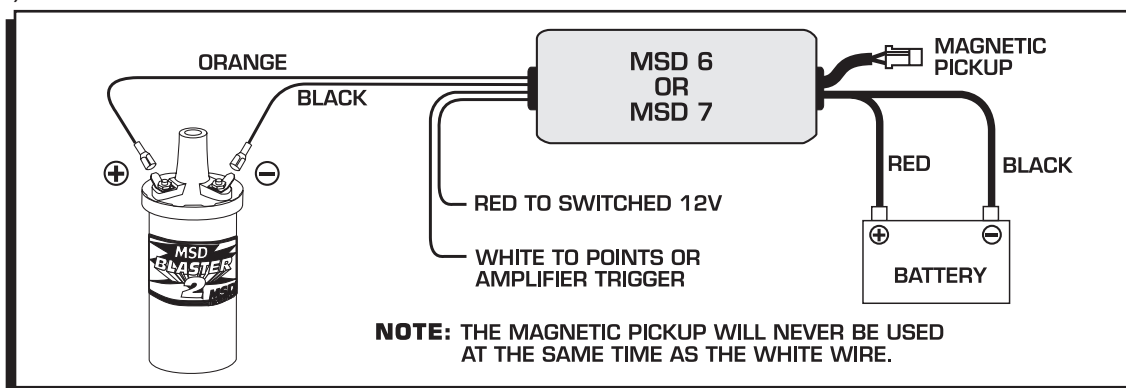


Figure 1 Wiring to an MSD 6 or 7 Series Ignition Control.

MSD IGNITION INSTALLATION INSTRUCTIONS

WIRING TO A STOCK POINTS IGNITION

WARNING: When using the Blaster Coil with a points or stock style distributor, a 0.8 Ohm ballast resistor must be installed in-line of the positive wire. Failure to use a ballast resistor could result in personal injury or component failure.

1. Connect the negative wire to the negative terminal (-).
2. Connect a wire from the coil positive terminal to one side of the ballast resistor. Connect 12 volts to the other terminal of the resistor.
3. Install the high voltage coil wire.

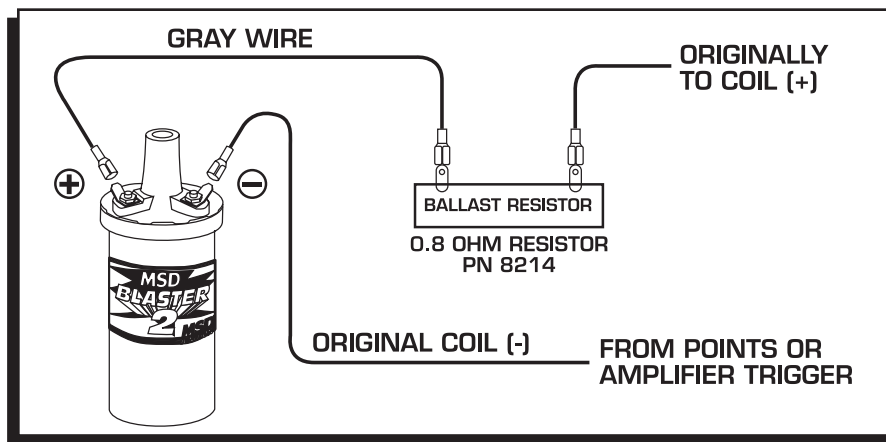


Figure 2 Wiring to a Points Ignition.

Limited Warranty

MSD IGNITION warrants this product to be free from defects in material and workmanship under its intended normal use*, when properly installed and purchased from an authorized MSD dealer, for a period of one year from the date of the original purchase. This warranty is void for any products purchased through auction websites. If found to be defective as mentioned above, it will be repaired or replaced at the option of MSD Ignition. Any item that is covered under this warranty will be returned free of charge using Ground shipping methods.

This shall constitute the sole remedy of the purchaser and the sole liability of MSD Ignition. To the extent permitted by law, the foregoing is exclusive and in lieu of all other warranties or representation whether expressed or implied, including any implied warranty of merchantability or fitness. In no event shall MSD Ignition or its suppliers be liable for special or consequential damages.

*Intended normal use means that this item is being used as was originally intended and for the original application as sold by MSD Ignition. Any modifications to this item or if it is used on an application other than what MSD Ignition markets the product, the warranty will be void. It is the sole responsibility of the customer to determine that this item will work for the application they are intending. MSD Ignition will accept no liability for custom applications.