

# **MSD** INSTALLATION INSTRUCTIONS

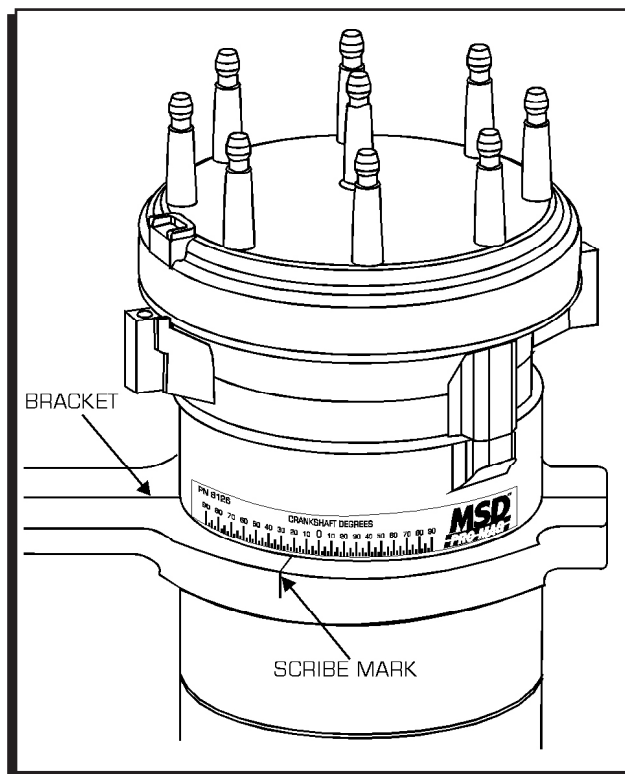
## **MSD Pro Mag Timing Tape PN 8126**

The Pro Mag Timing Tape is provided to let you get the timing within your specifications before you fire the engine. It is recommended to check the timing with a timing light for complete accuracy.

**Note:** The degrees are indicated in crankshaft degrees.

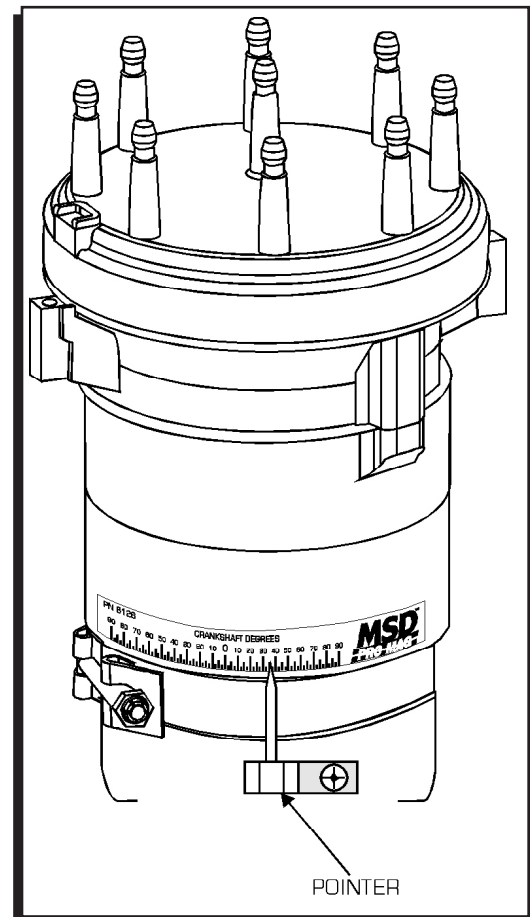
### **RECOMMENDED INSTALLATION**

**Dual Mag Setups:** It is recommended to apply the Tape to the generator housing just above the Stabilizer bracket and scribe a mark on the bracket (Figure 1).



**Figure 1 Dual Mag Setup.**

**Single Mag Setups:** The Tape can be applied to the housing near the base and a pointer can be fabricated (Figure 2). Note: If you do fabricate a pointer, it must be solid. Any movement in the pointer will result in inaccurate timing settings.



**Figure 2 Single Mag Setup.**