

# MSD INSTALLATION INSTRUCTIONS

## Throttle Cable Bracket for Aftermarket Cables, PN 2708 for use on the Atomic AirForce Intake Manifold

### Parts Included:

- 1 - Bracket
- 1- #12 Mil Spec washer\*
- 1- 6mm x 35 socket head cap screw\*
- 1- Spacer\*

\* For installation with the LS7 AirForce Intake, PN 2701 only.

### Parts Required (Supplied with Manifold)

- 2 - M6 Self-Threading Screws
- 1 - M6x1x30 Socket Head Cap Screw
- 1 - M6 Square Nut

When adapting a cable driven throttle body to an Atomic AirForce Intake Manifold, this Bracket Kit will provide a mount for most aftermarket cable assemblies.

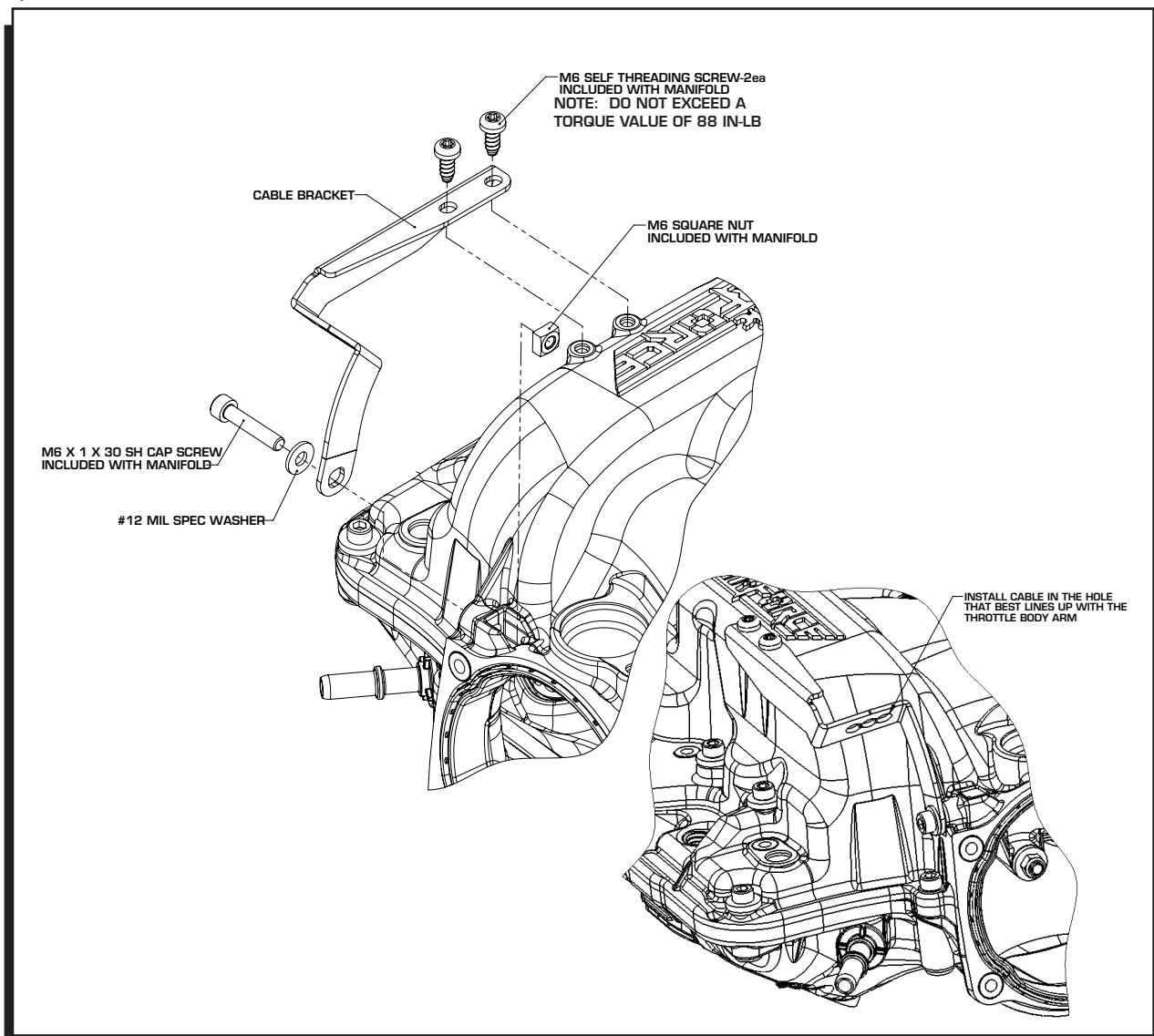
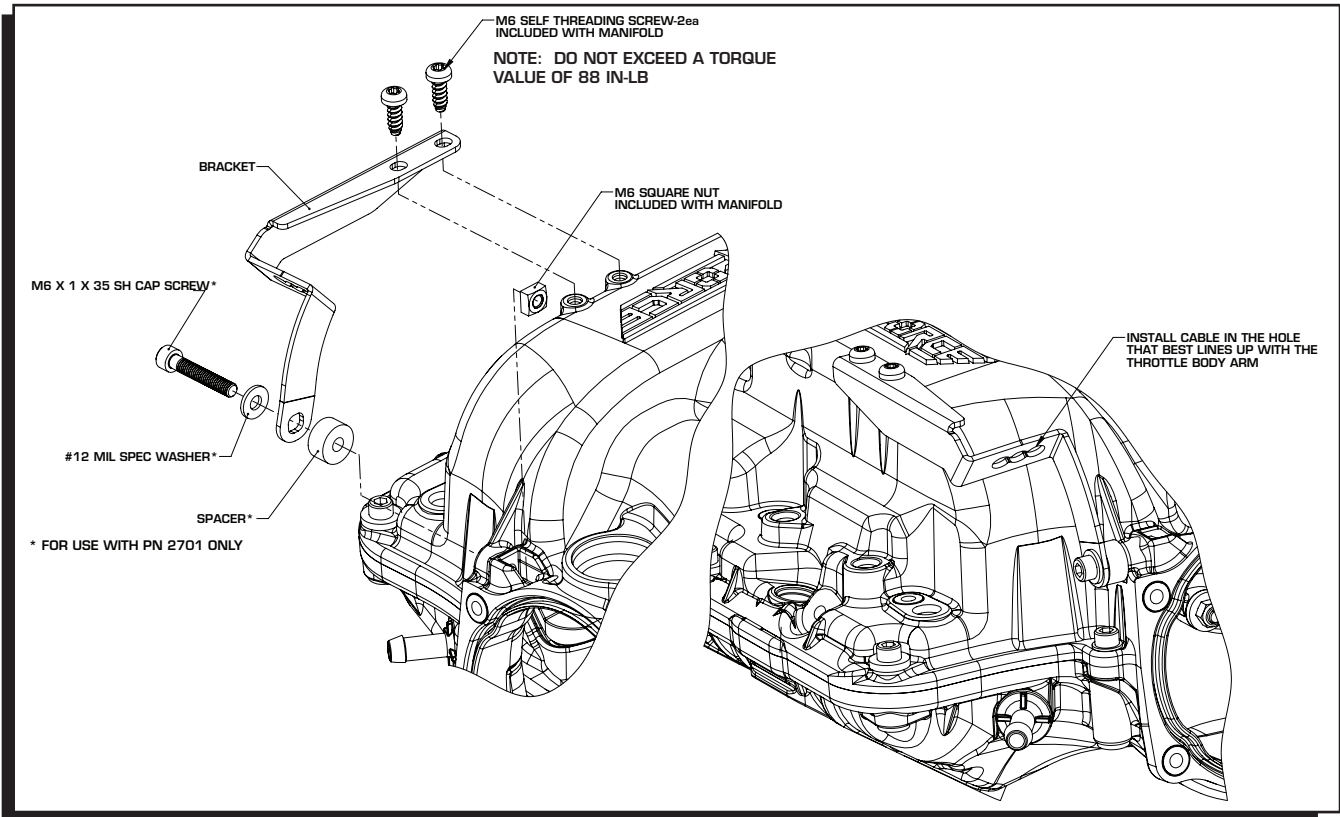


Figure 1 Throttle Cable Bracket Installation on LS1/2/6 AirForce Manifolds.

# MSD INSTALLATION INSTRUCTIONS



**Figure 2 Throttle Cable Bracket Installation on LS7 AirForce Manifold.**