

MSD INSTALLATION INSTRUCTIONS

Throttle Cable Bracket, for OEM Cables, PN 2707 for use on the Atomic AirForce Intake Manifold

Parts Included:

- 2 - 5mm washers
- 2 - 5mm nylock nuts
- 1 - #12 Mil Spec washer
- 1 - 6mm x 35 socket head cap screw
- 1 - Spacer

Parts Required (Supplied with Manifold)

- 2 - M6 Self-Threading Screws
- 1 - M6x1x30 Socket Head Cap Screw
- 1 - M6 Square Nut

When adapting a cable driven throttle body to an Atomic AirForce Intake Manifold, this Bracket Kit will provide a mount for an OEM style throttle cable assembly.

Note: If using an aftermarket cable assembly, Bracket Kit PN 2708 is required.

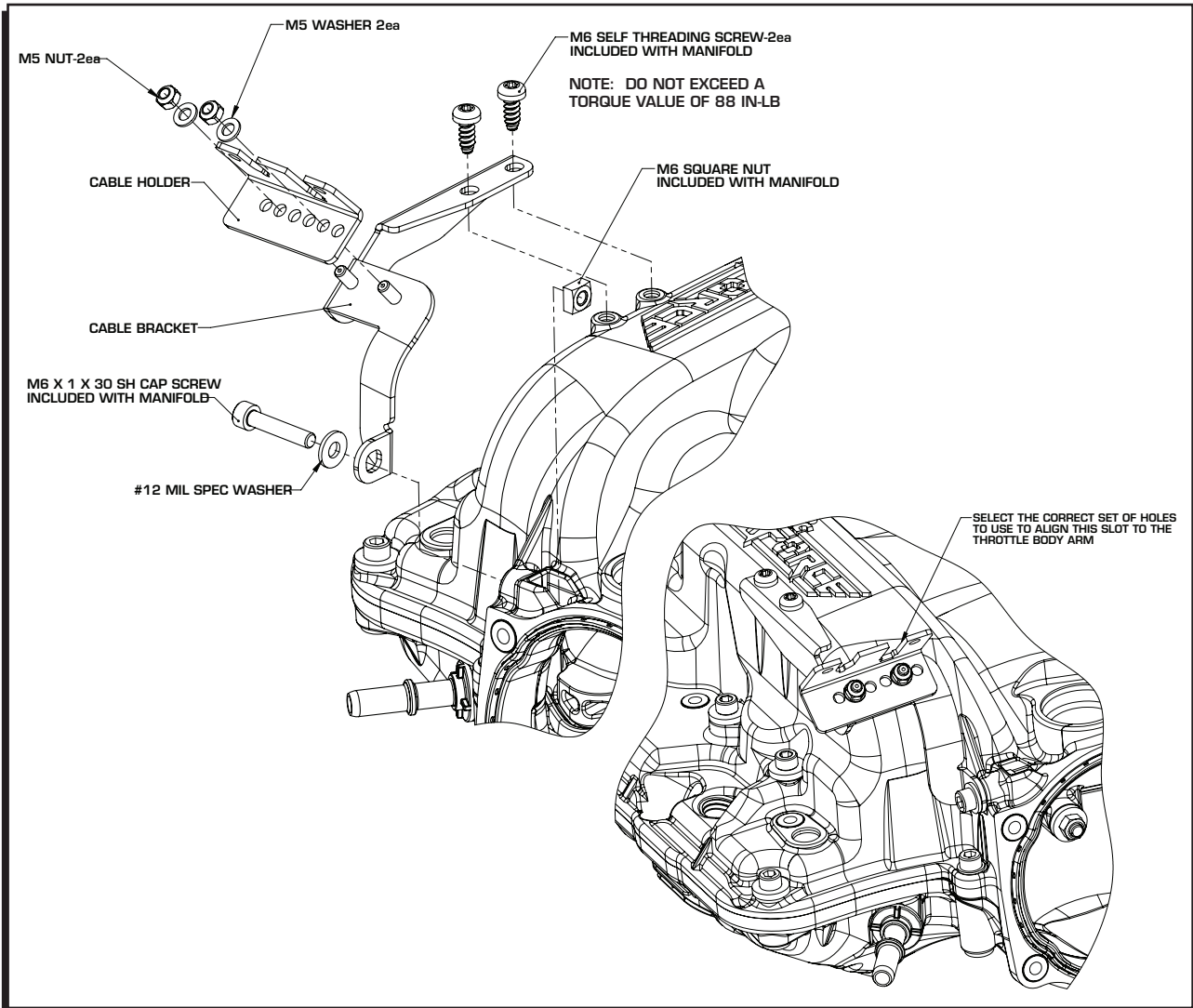


Figure 1 Throttle Cable Bracket Installation on LS1/2/3/6 AirForce Manifolds.

MSD INSTALLATION INSTRUCTIONS

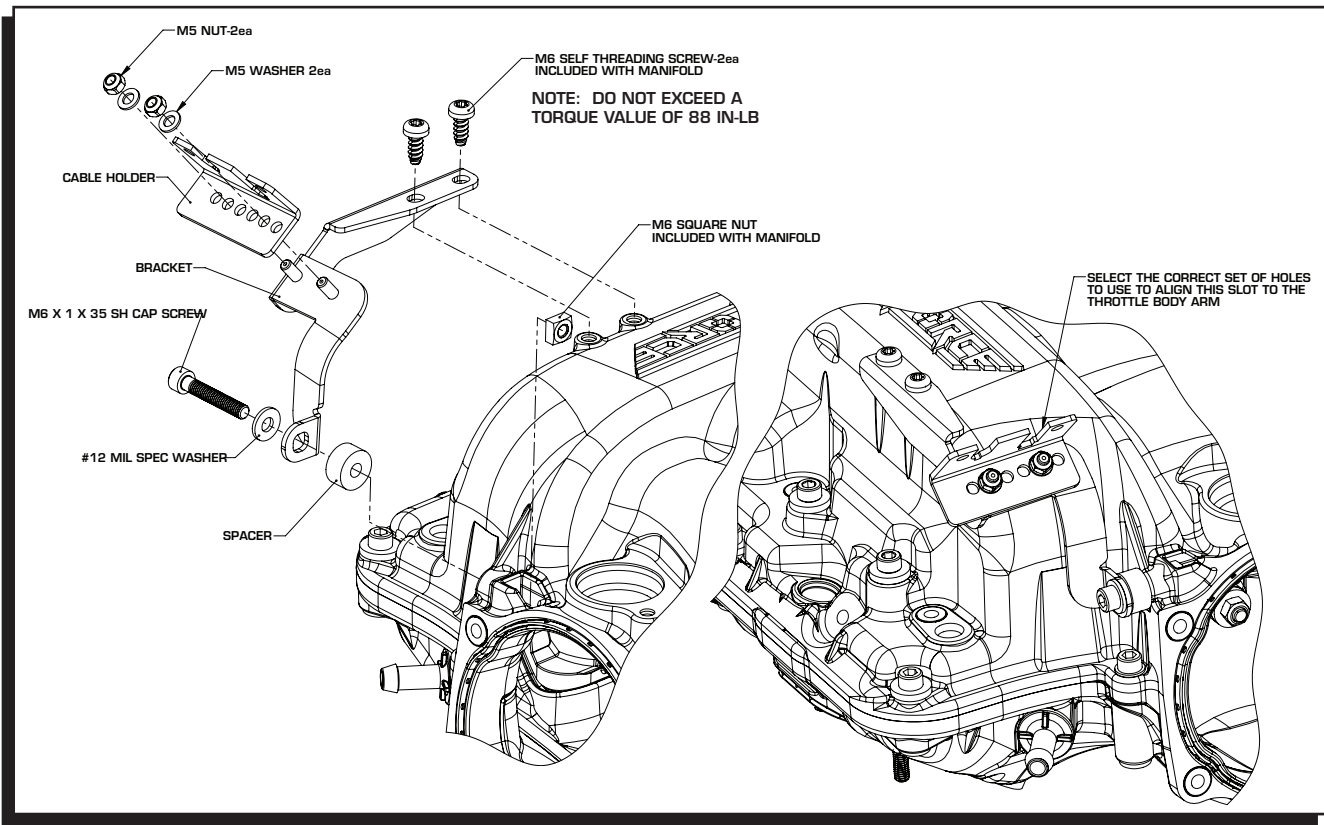


Figure 2 Throttle Cable Bracket Installation on LS7 AirForce Manifold.