



INSTALLATION INSTRUCTIONS

51322ZG Gear Reduction Starters
for Ford 289, 302, 351W & 351C engines

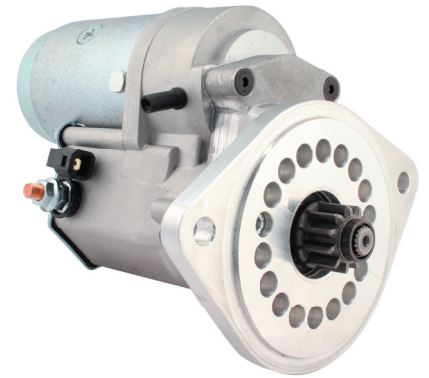
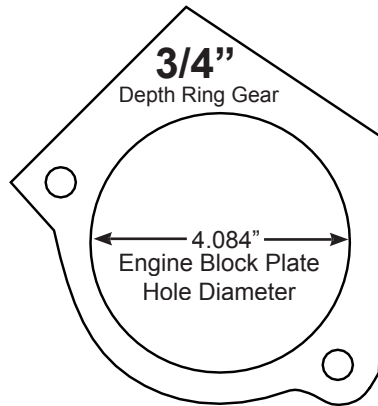
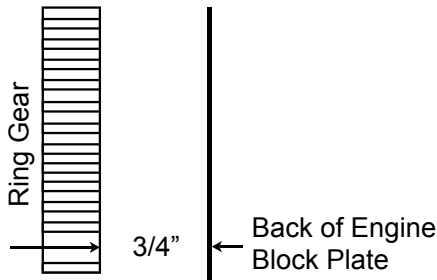
**IMPORTANT! POSITIVE BATTERY CABLE MUST BE DISCONNECTED AT BATTERY PRIOR TO INSTALLATION!
THIS IS A PERFORMANCE MODIFICATION, NOT JUST A REPLACEMENT STARTER.**

ALL INSTRUCTIONS & PROCEDURES MUST BE FOLLOWED FOR A SUCCESSFUL INSTALLATION.

CAUTION: NEVER OPERATE STARTER MOTOR MORE THAN 30 SECONDS AT A TIME WITHOUT ALLOWING IT TO COOL FOR AT LEAST TWO MINUTES. Overheating caused by extended cranking will damage the starter motor and void warranty.

Application information

This starter fits Ford 289, 302, 351W and 351 C engines with a 4.084" diameter block plate starter hole. It can be used with a 157 or 164 tooth ring gear with an automatic or manual transmission.

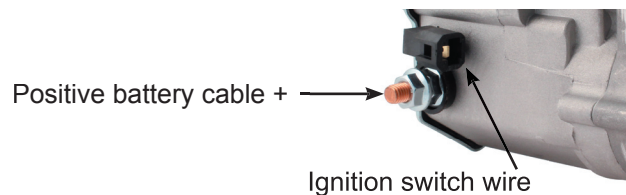


Starter removal and installation

1. Disconnect starter wiring harness and remove old starter.
2. Make sure that the engine block to starter mounting surface is free of any rust, paint or debris to ensure proper grounding.
3. Hold new starter motor in position at engine block.
4. Install (2) supplied mounting bolts. Tighten to 38 ft lbs.

Wiring the starter

1. Attach the positive battery cable to the large starter terminal. **DO NOT OVERTIGHTEN THE NUT!** The stud terminal is made of soft brass for superior conductivity and will strip if overtightened.
2. Connect existing ignition switch wire to the spade terminal.



Indexing the starter

If the starter interferes with the engine block or any component, the entire starter motor can be rotated about the nose to gain additional clearance. To index the starter from the mounting block, remove the two bolts noted and turn the starter motor to gain additional clearance. Reinstall and tighten the mounting bolts once in position.

