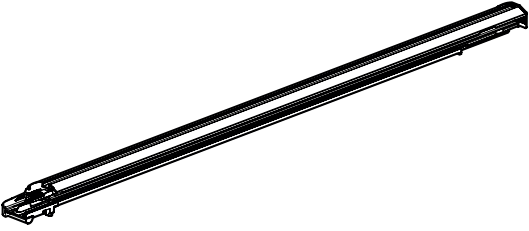
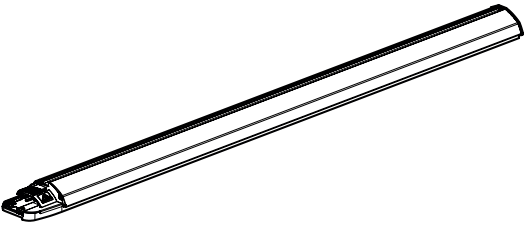
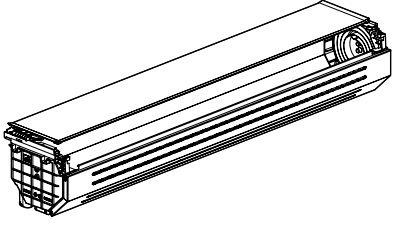
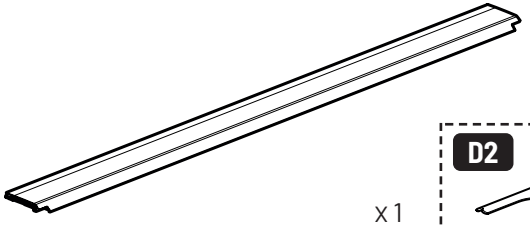

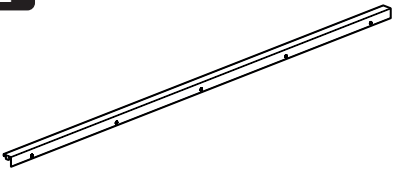
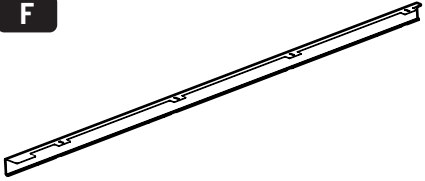
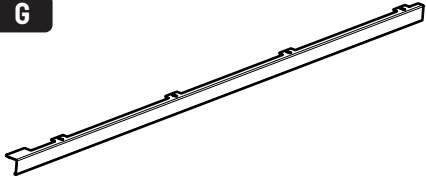


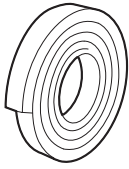
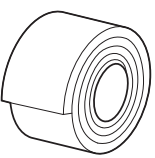
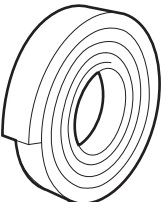


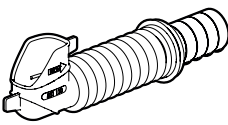
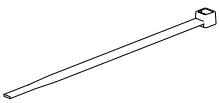
# **MOUNTAIN TOP® EVOm ROLL COVER**

Installation Instructions


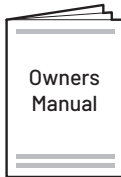
Parts

<b>A</b>  x1	<b>B</b>  x1	
<b>C</b>  x1	<b>D</b>  x1 <b>D2</b>  x1	
<b>E</b>  x1	<b>F</b>  LEFT x1	<b>G</b>  RIGHT x1

Parts

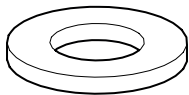
<b>H</b>  x1	<b>I</b>  x1	<b>J</b>  x1	
<b>K</b>  LEFT x1	<b>L</b>  RIGHT x1	<b>M</b>  x2	<b>N</b>  x2

Parts

 Manual x1	 Owners Manual x1
---	--

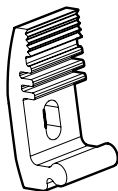
Kit

**O**



x8

**P**



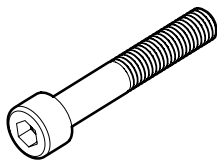
x8

**Q**



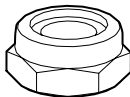
x8

**R**



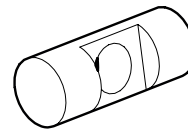
x8

**S**



x8

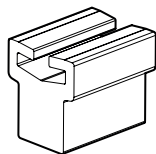
**T**



x8

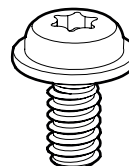
Kit

**U**



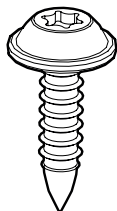
x4

**V**



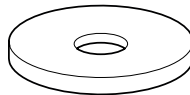
x4

**W**



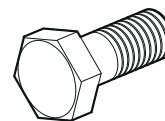
x5

**X**



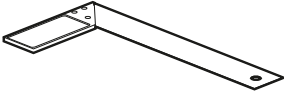


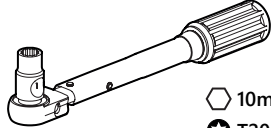



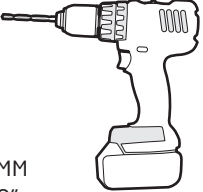
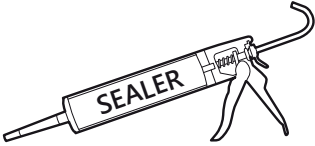
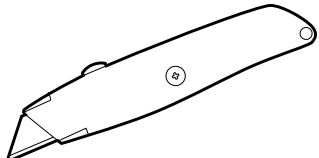

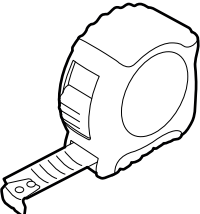



x8

**Y**

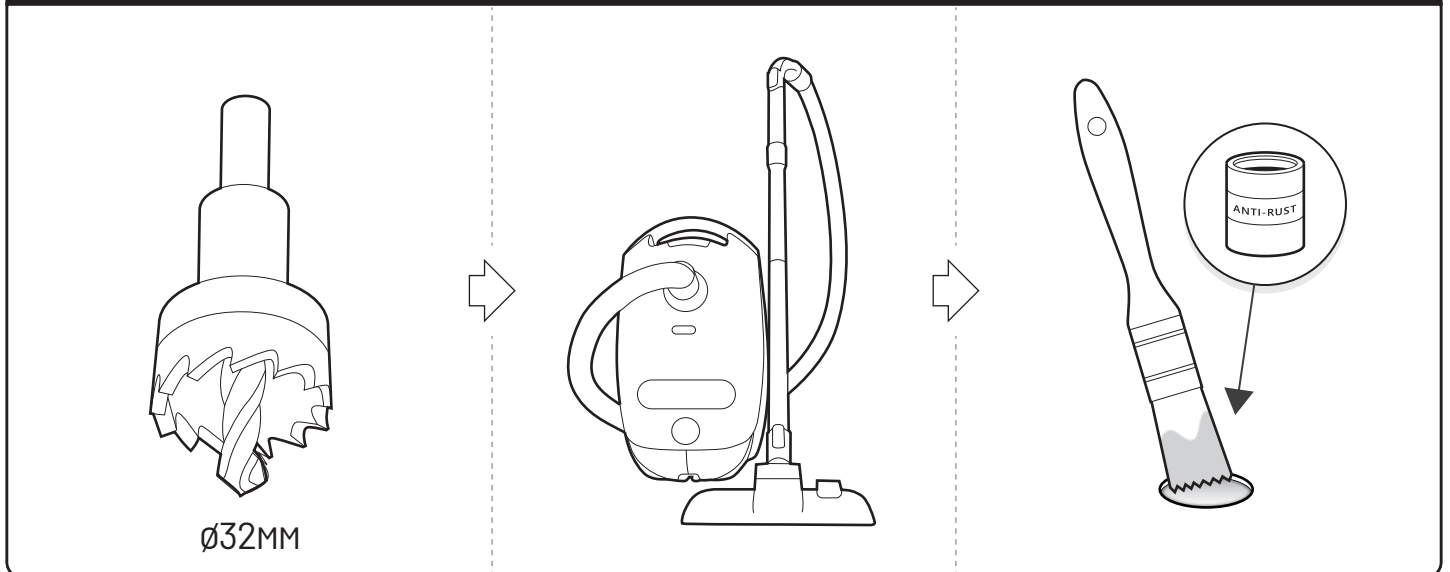


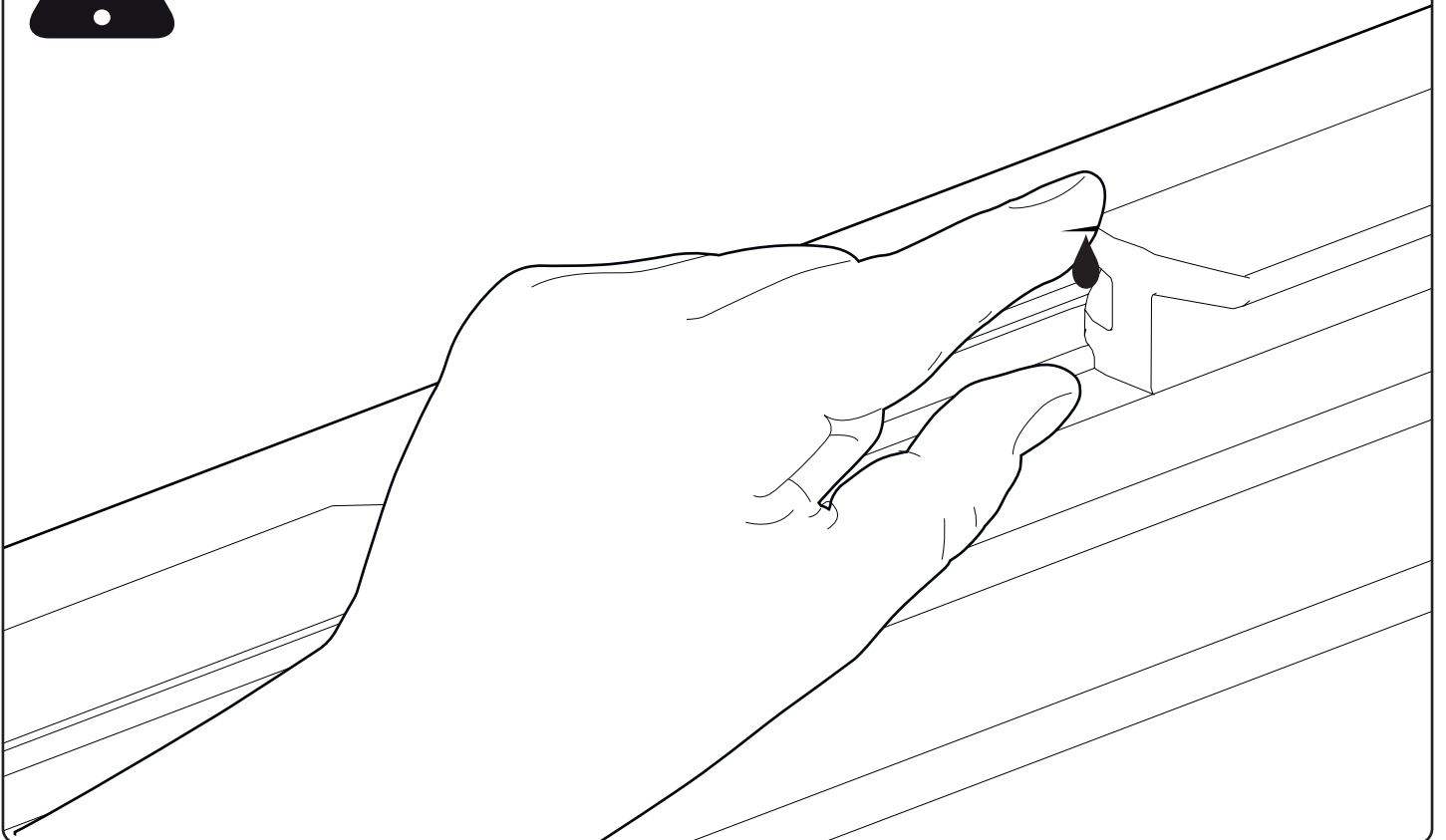
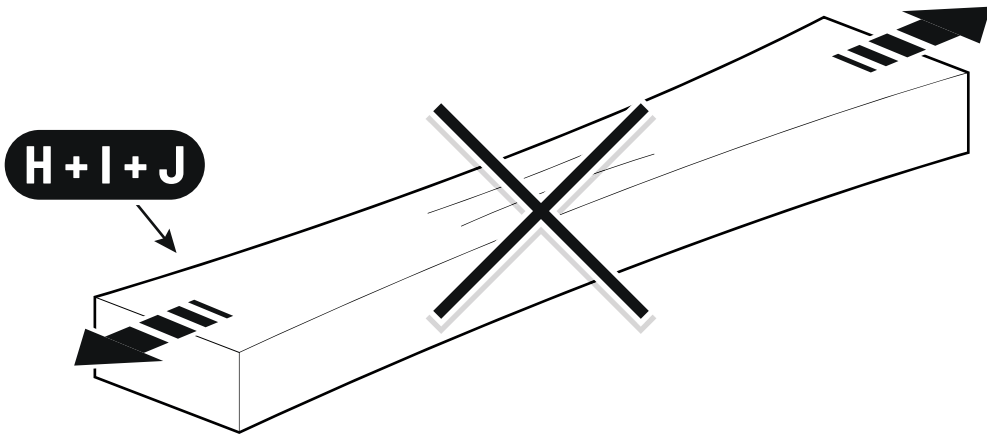
x8

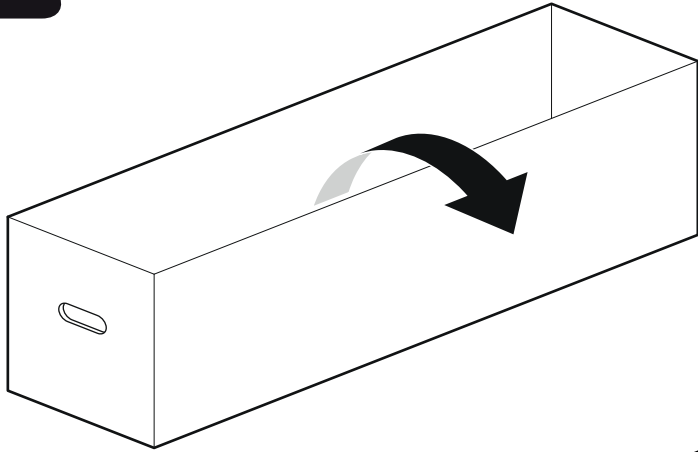
## Tools needed

	 $\varnothing 2.4\text{MM}$	 Rust protection	 1 - 25 Nm  10mm  T20  T30
 $\varnothing 2.4\text{MM}$ $\varnothing 3/32''$	 SEALER		 $\text{H}_2\text{O}$
			 LOCTITE 243

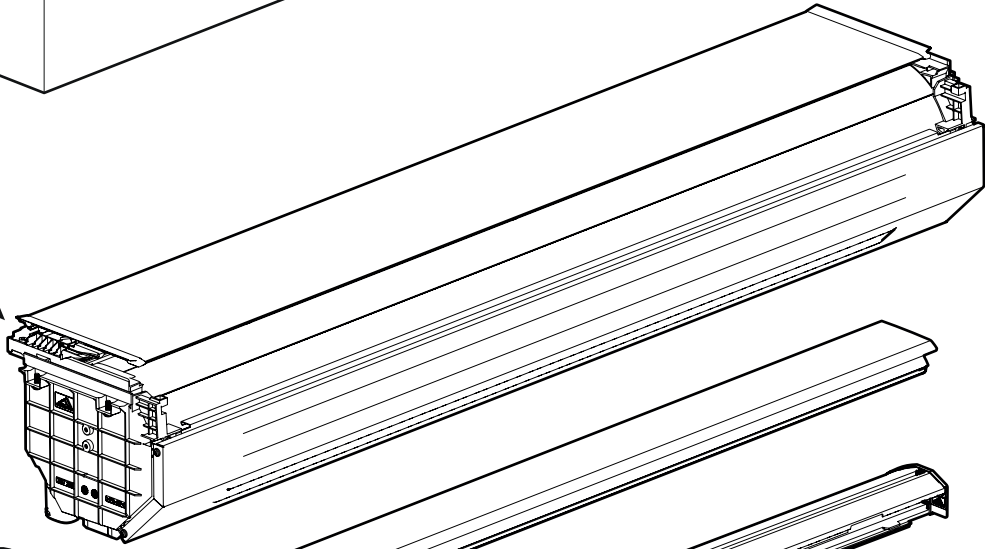
## Applying rust protection



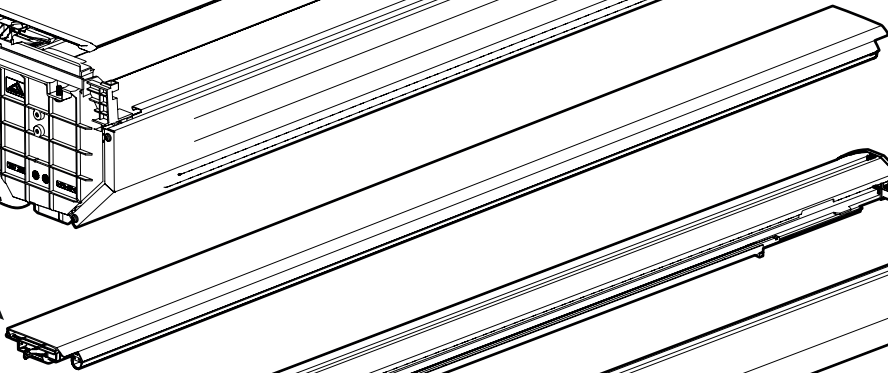




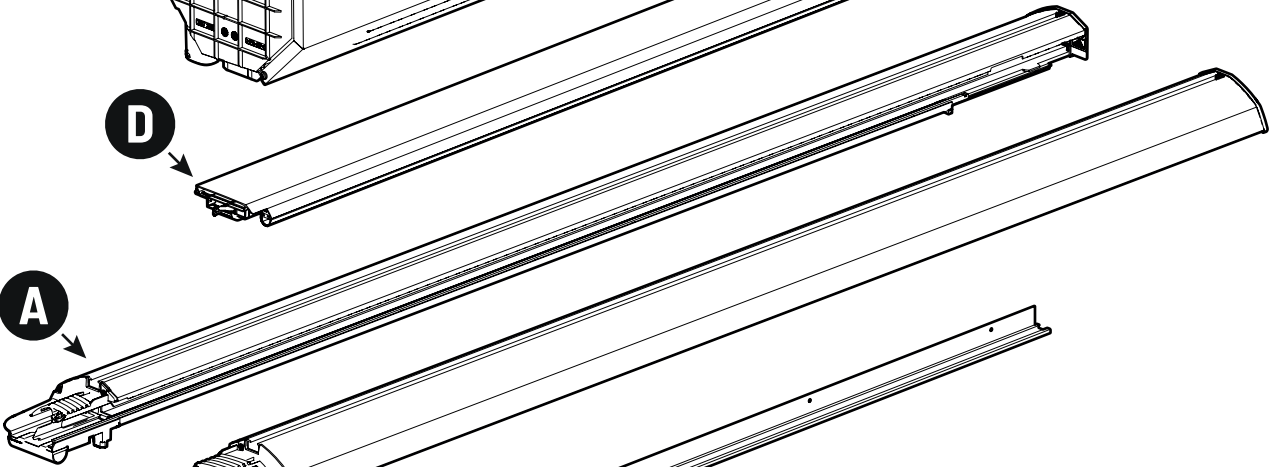
**C**



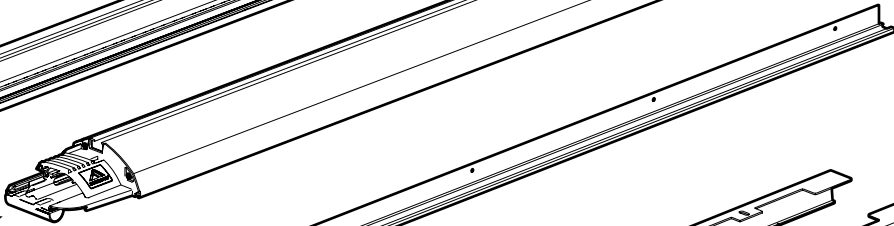
**D**



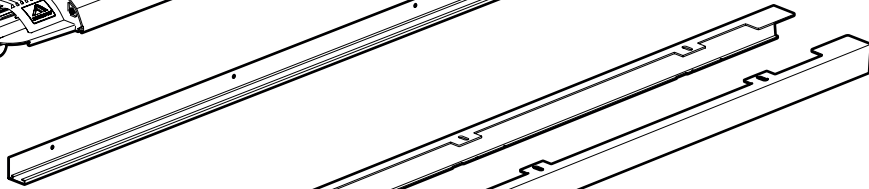
**A**



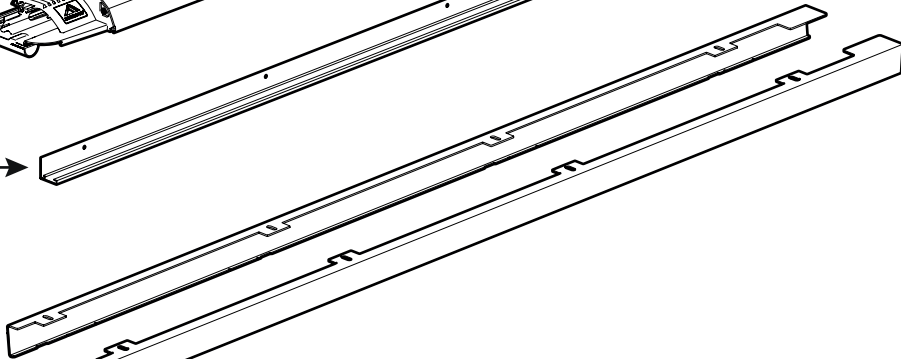
**B**



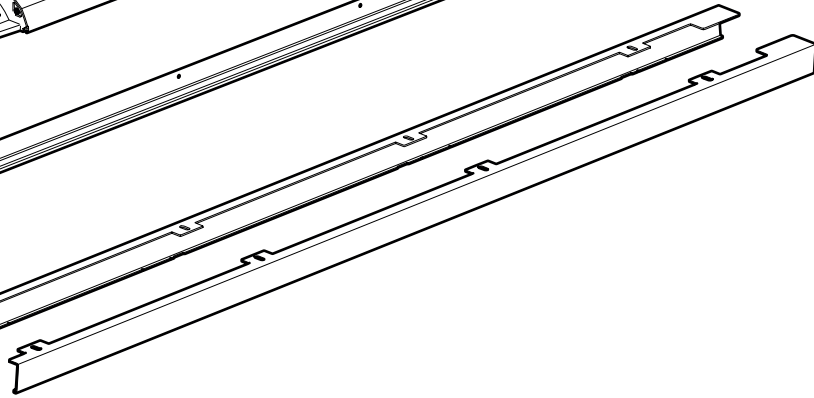
**E**



**G**



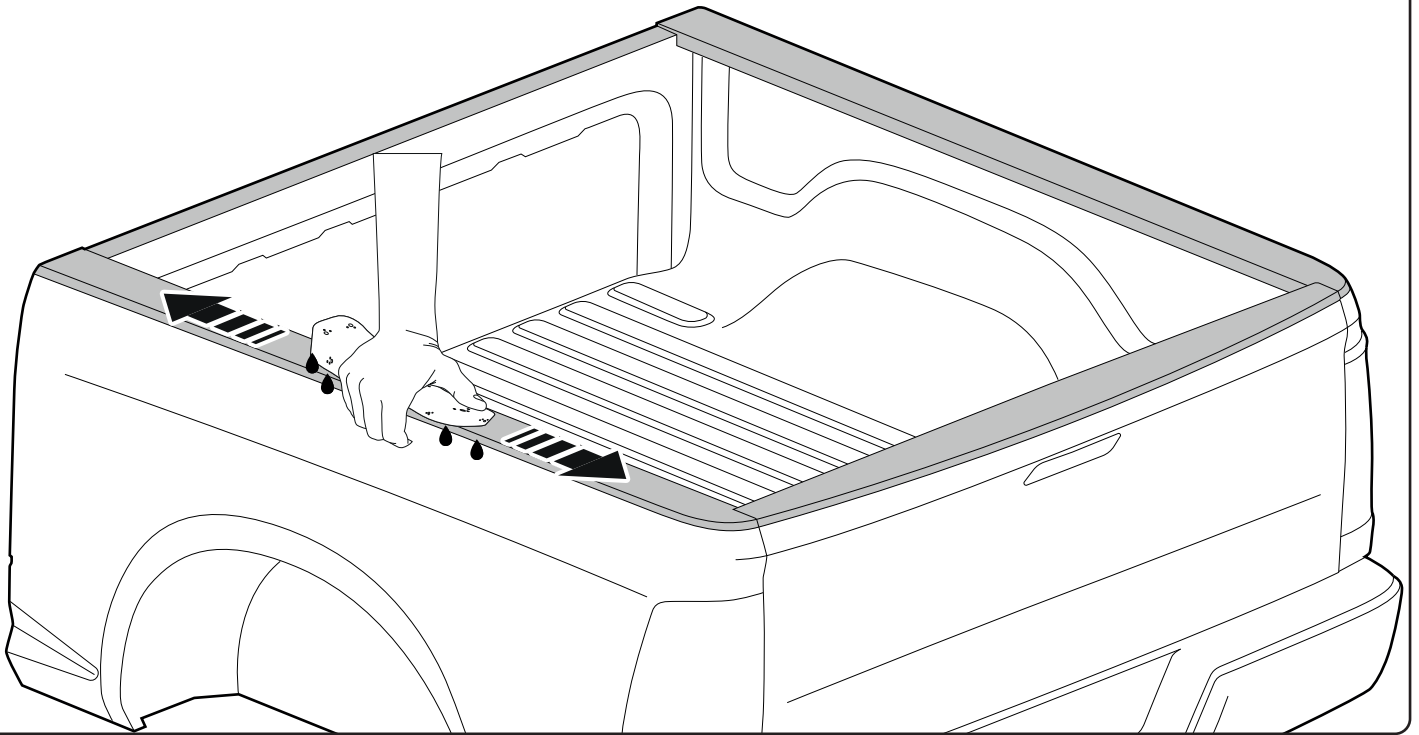
**F**



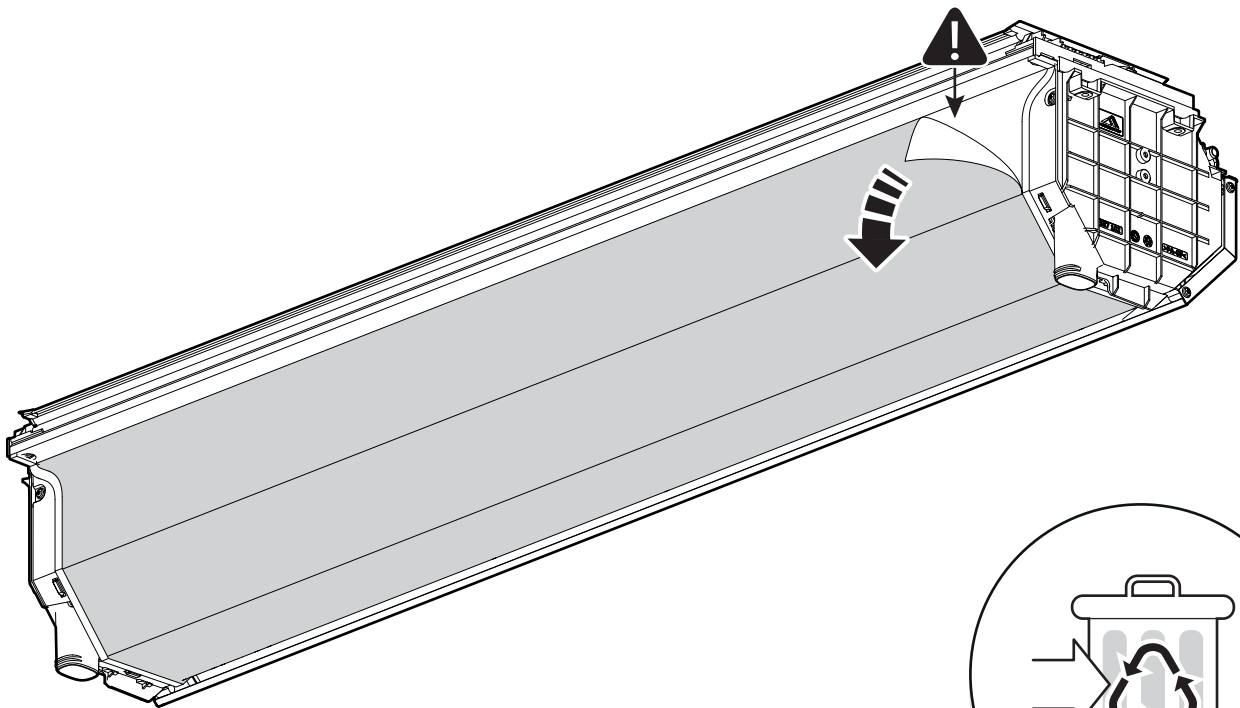


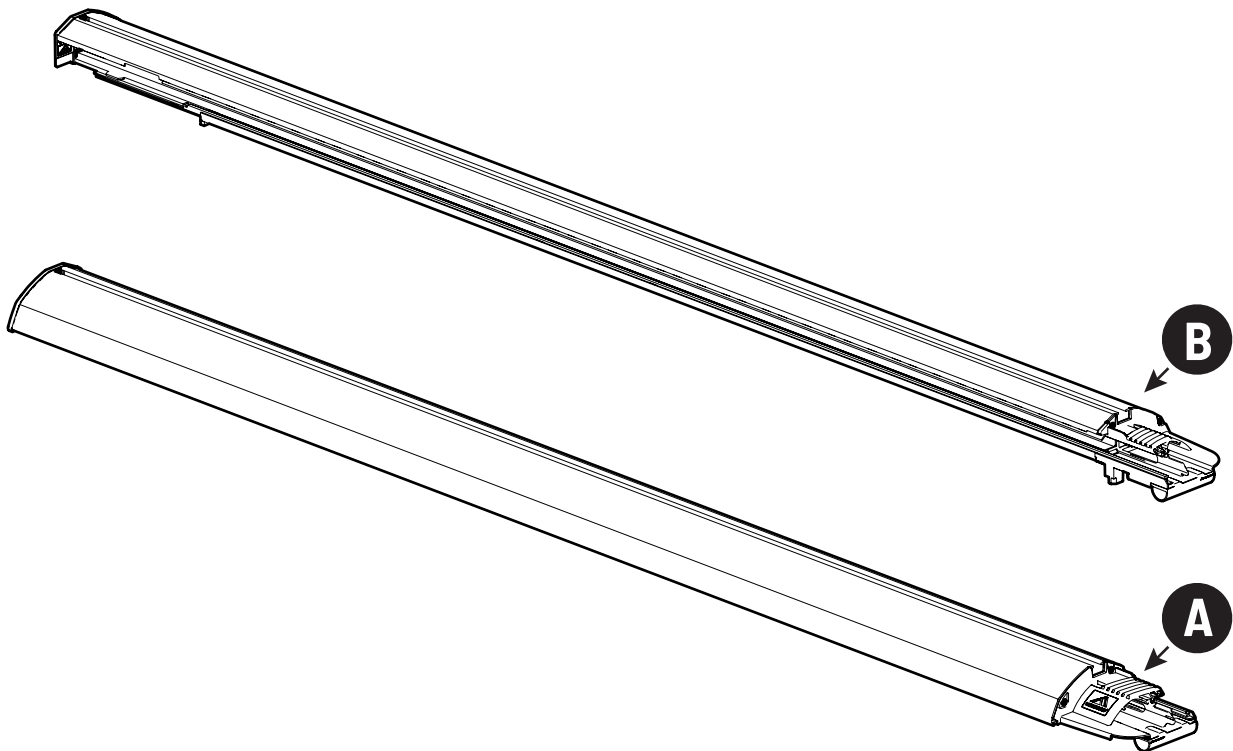
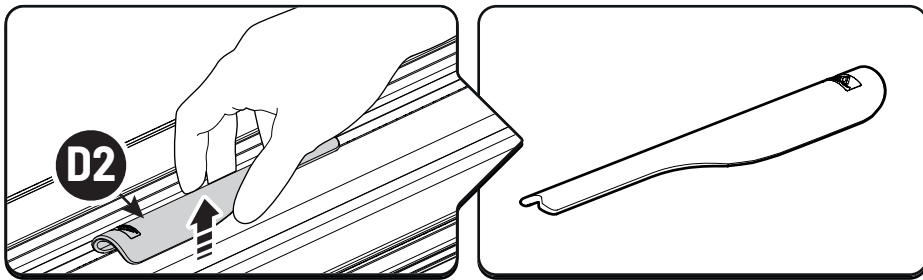
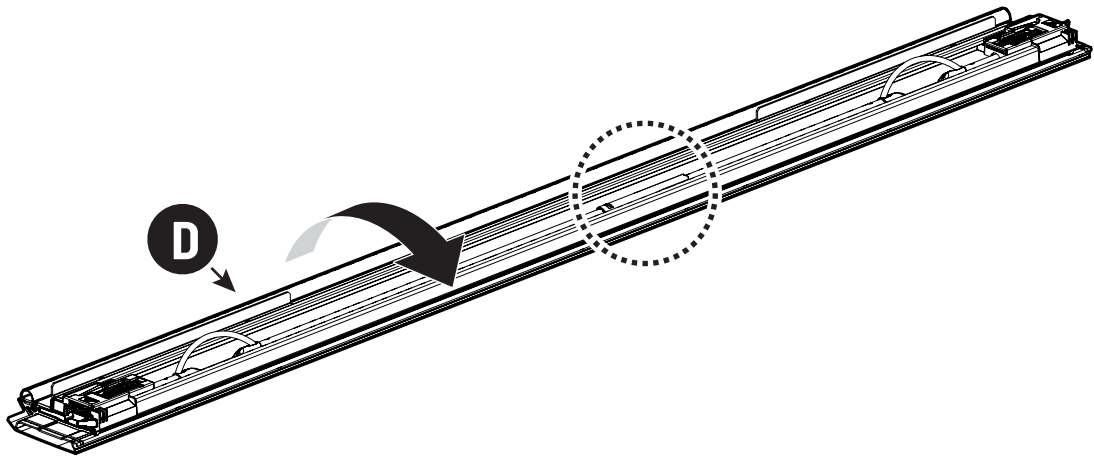
Water & sponge

2



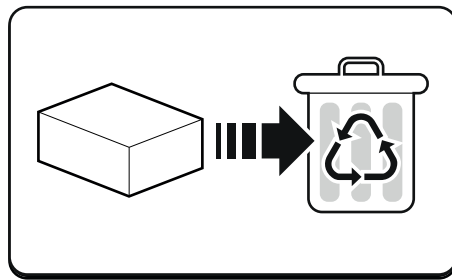
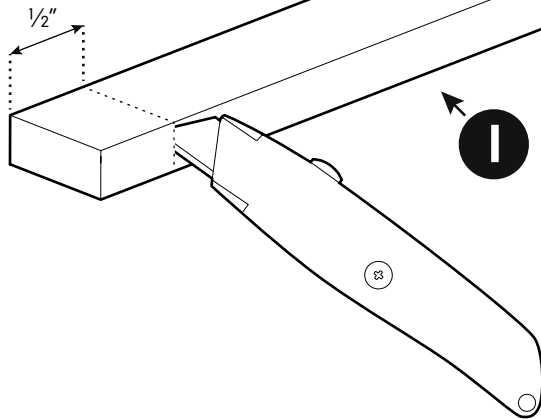
3



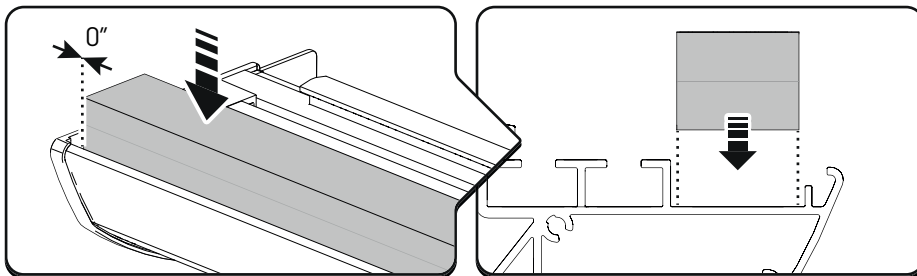
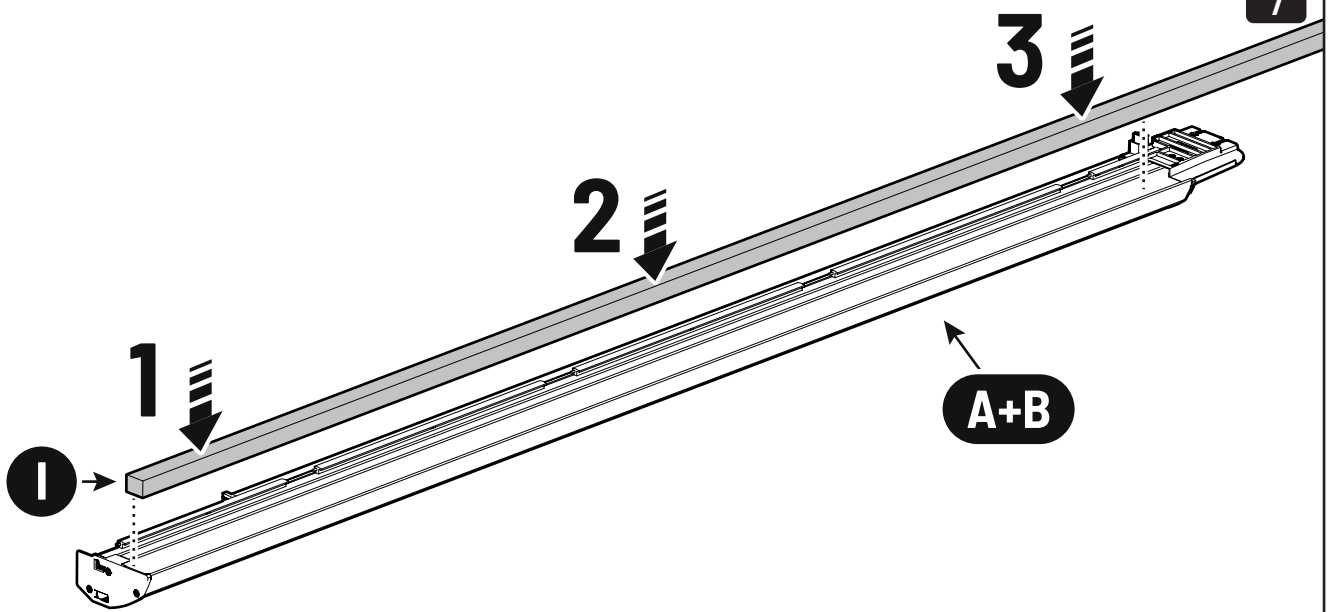


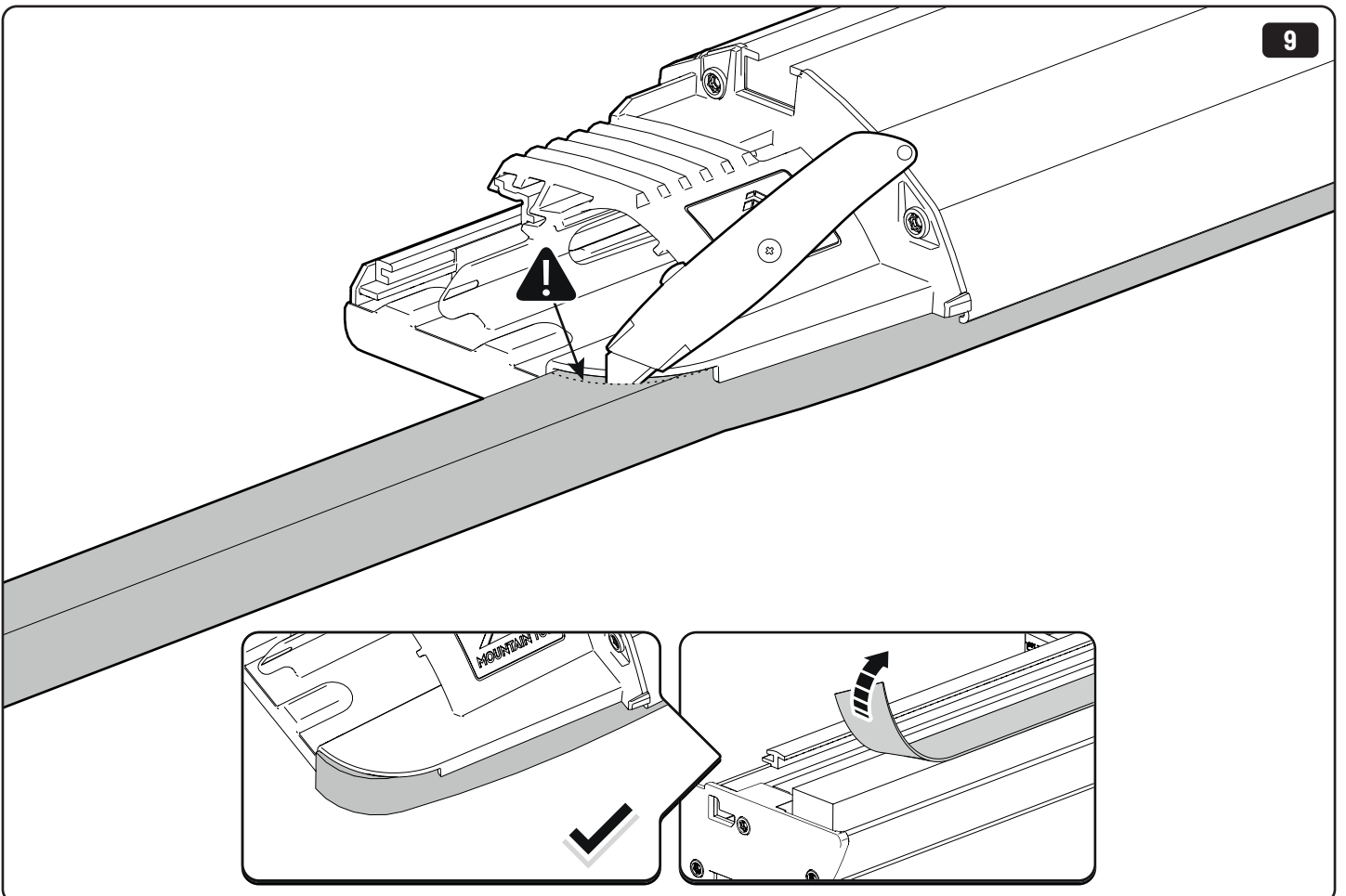
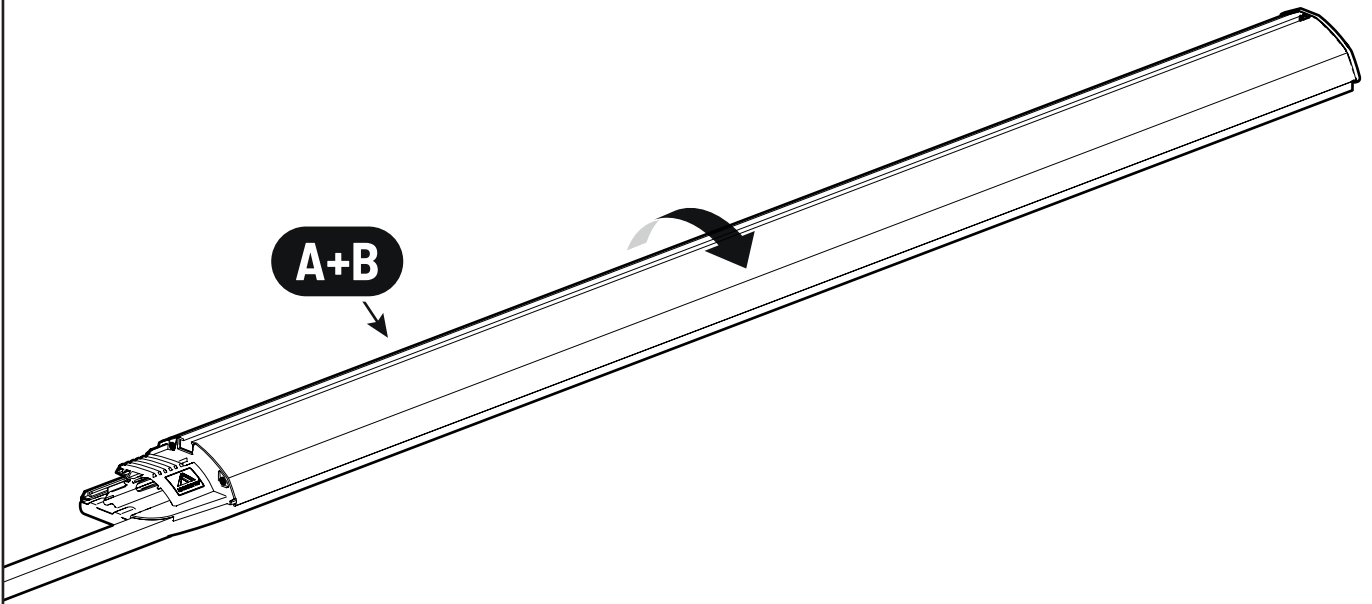


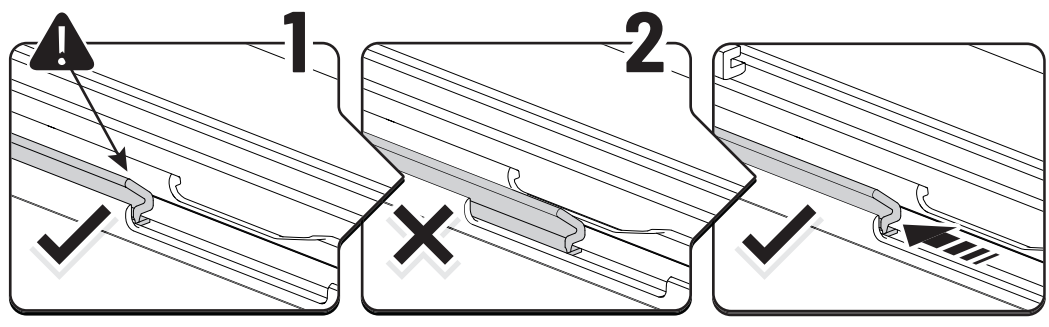
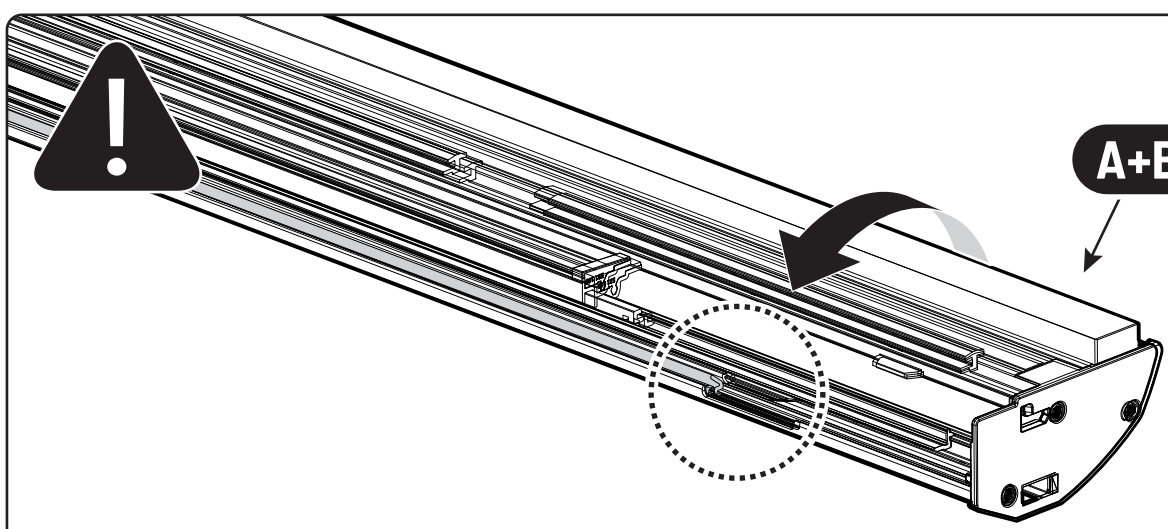
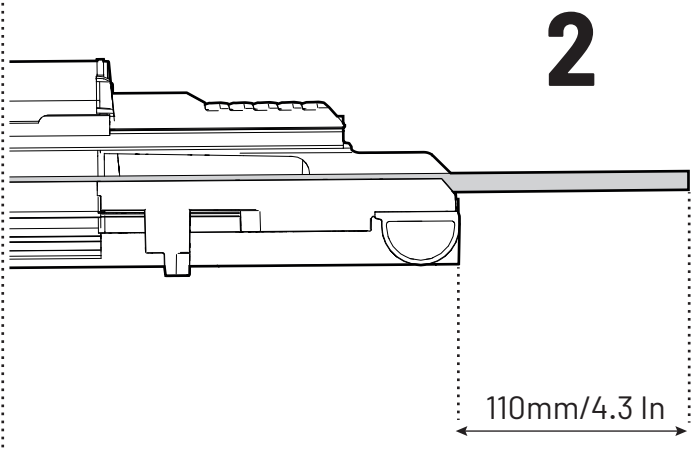
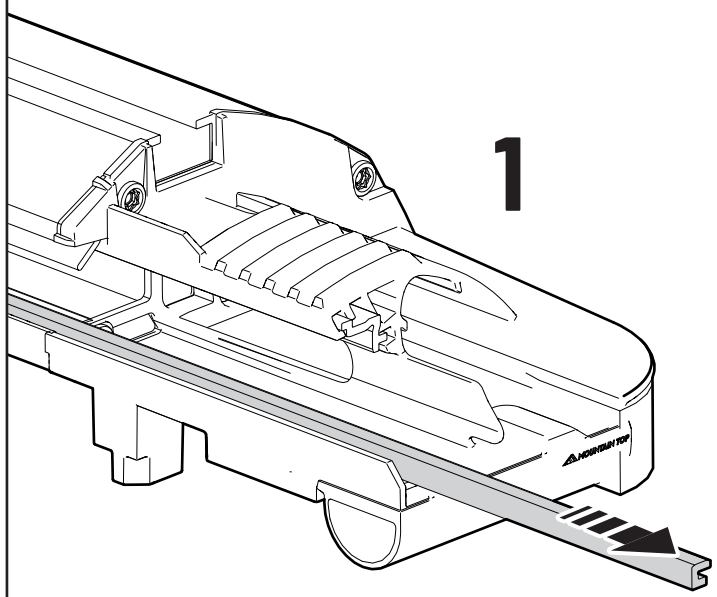
6

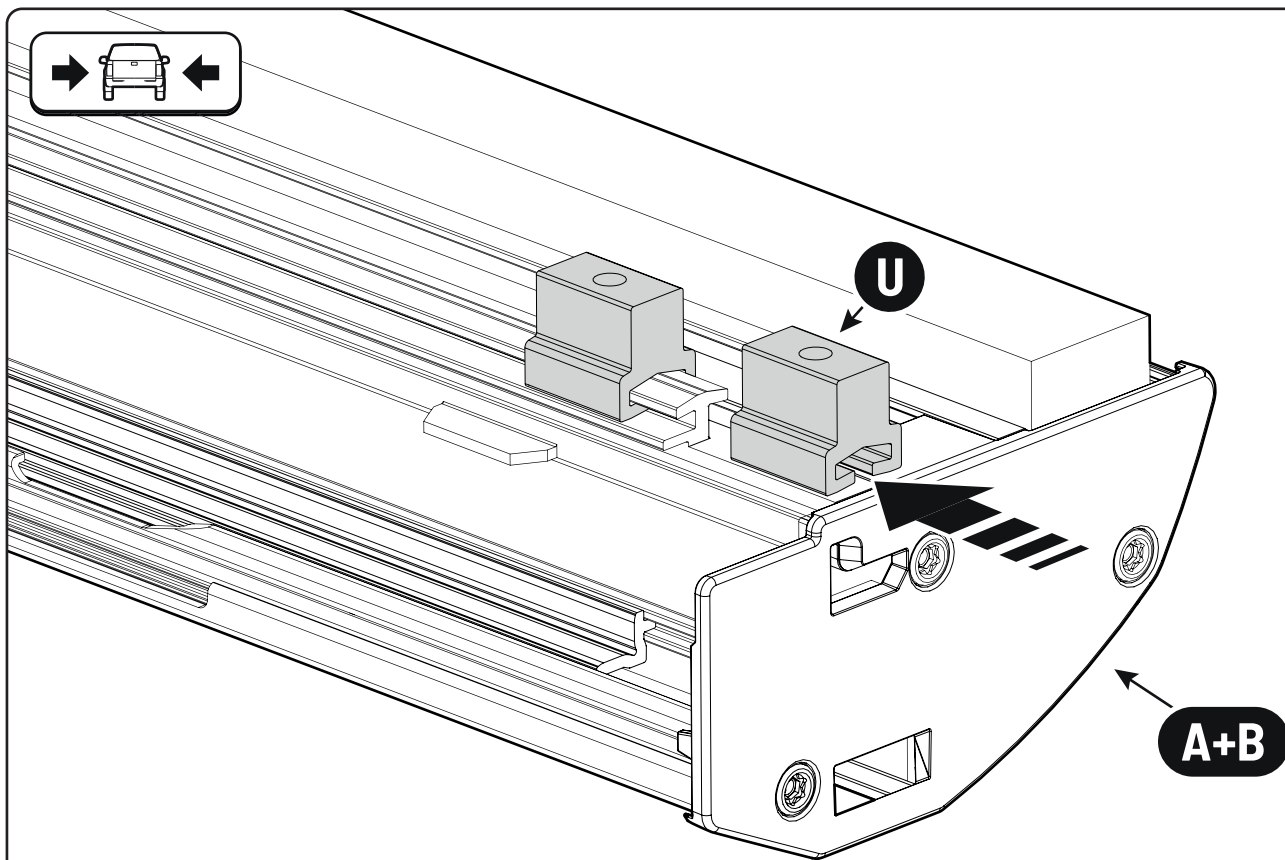
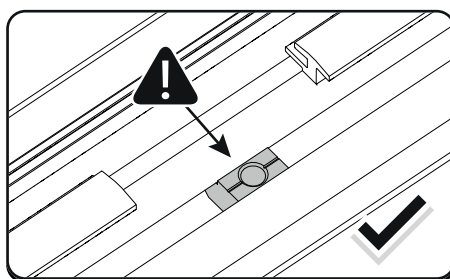
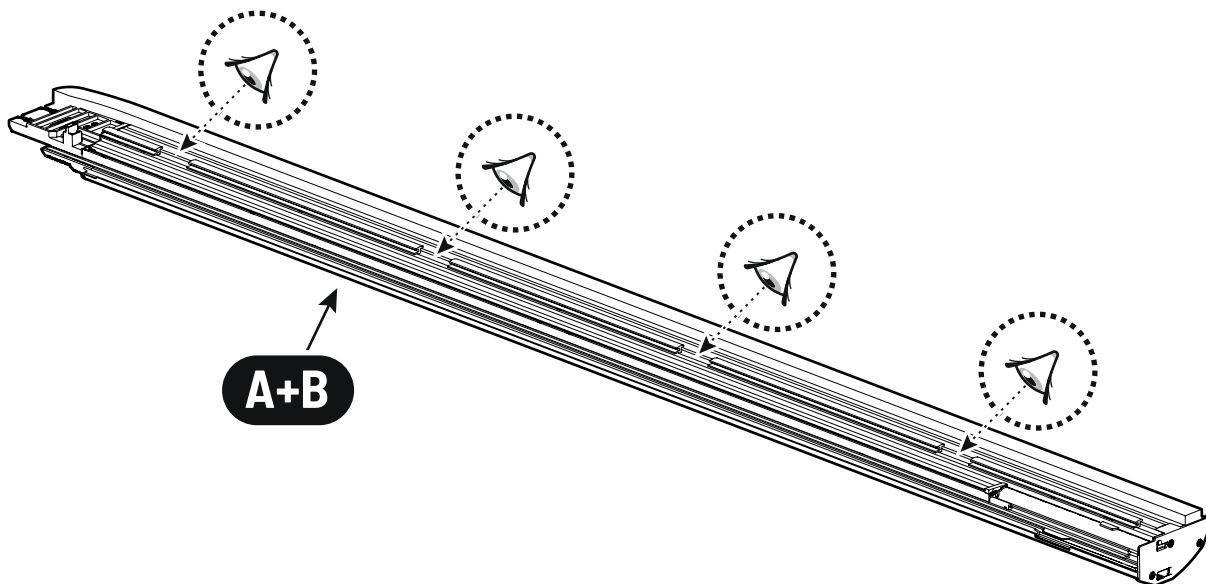


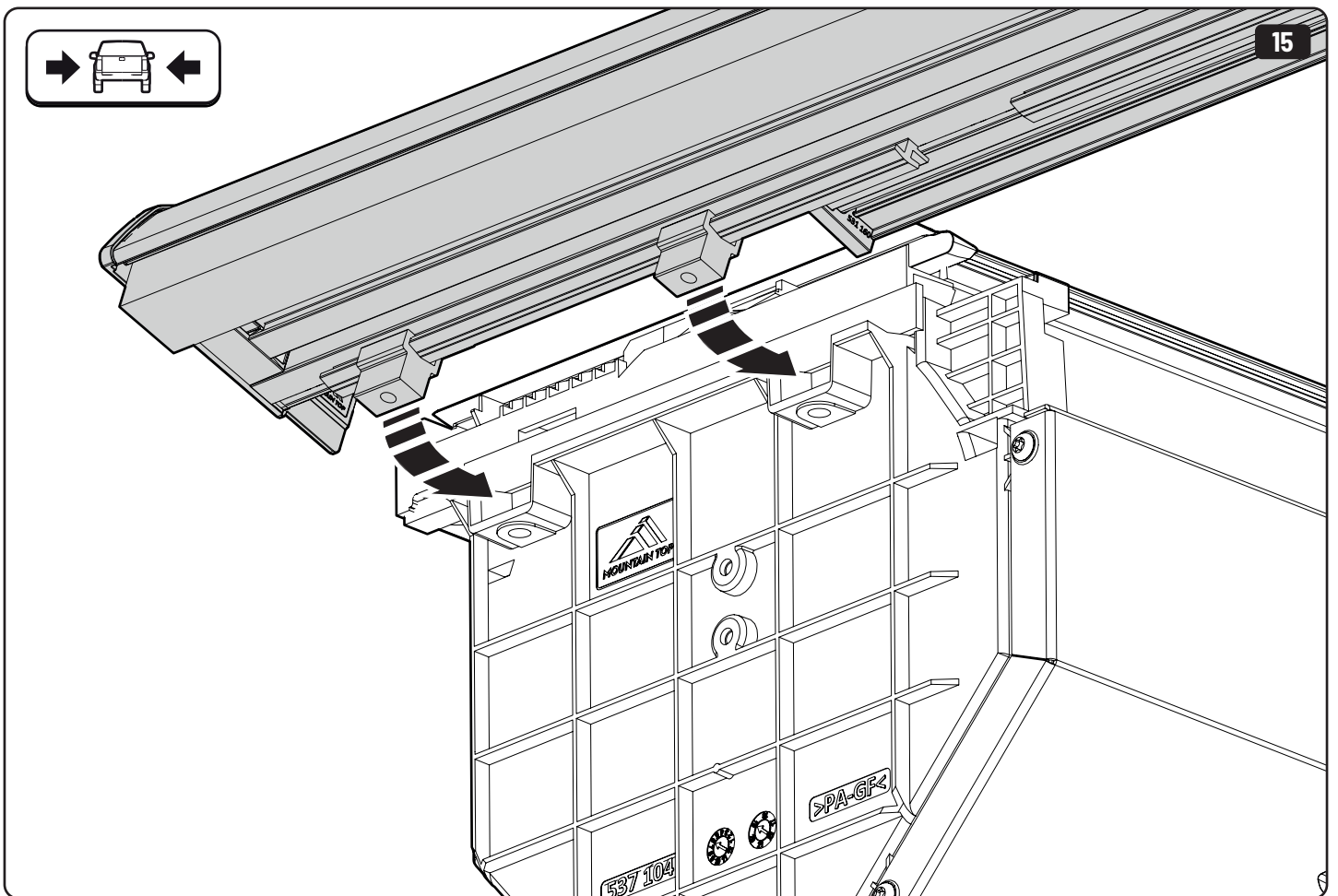
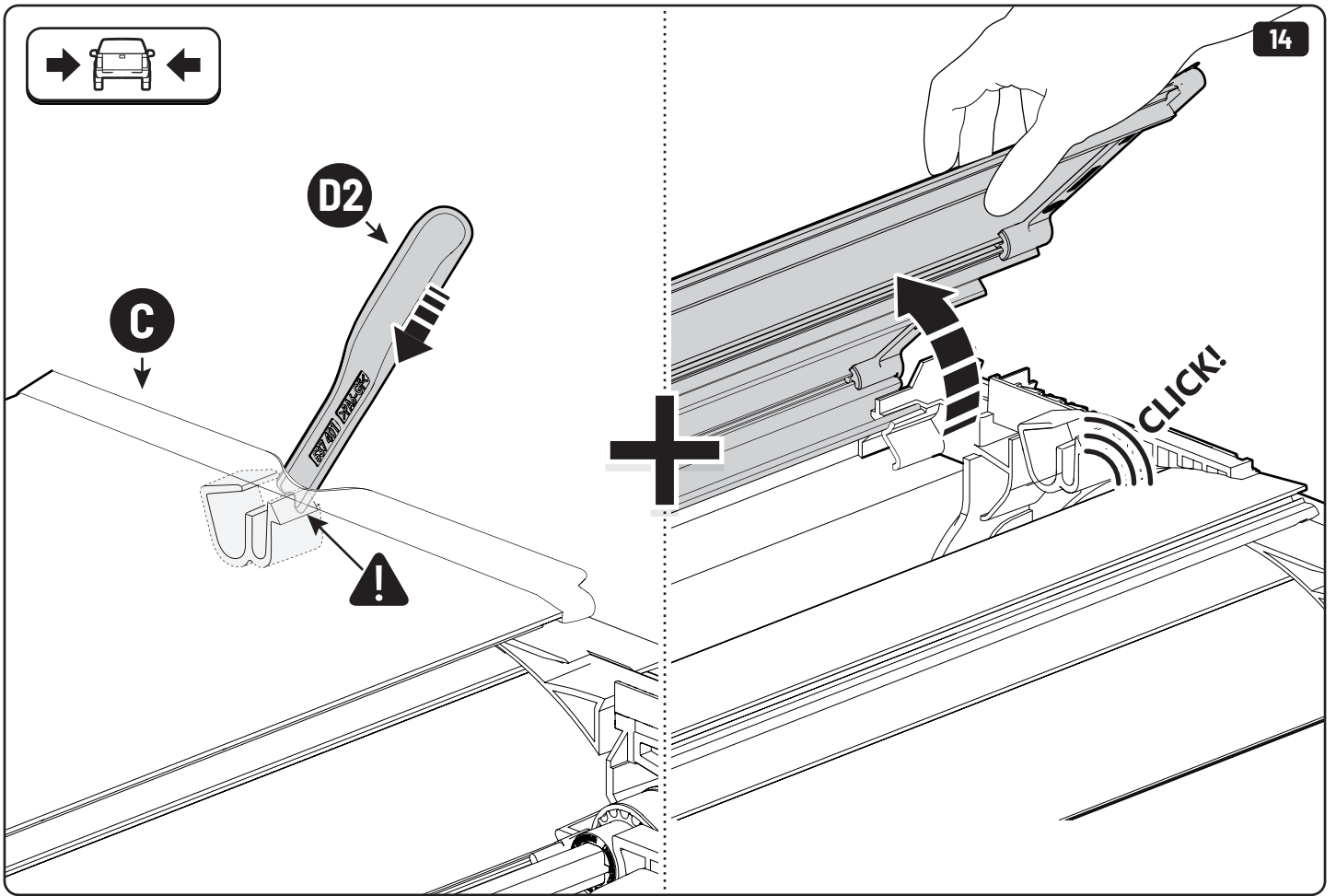
7

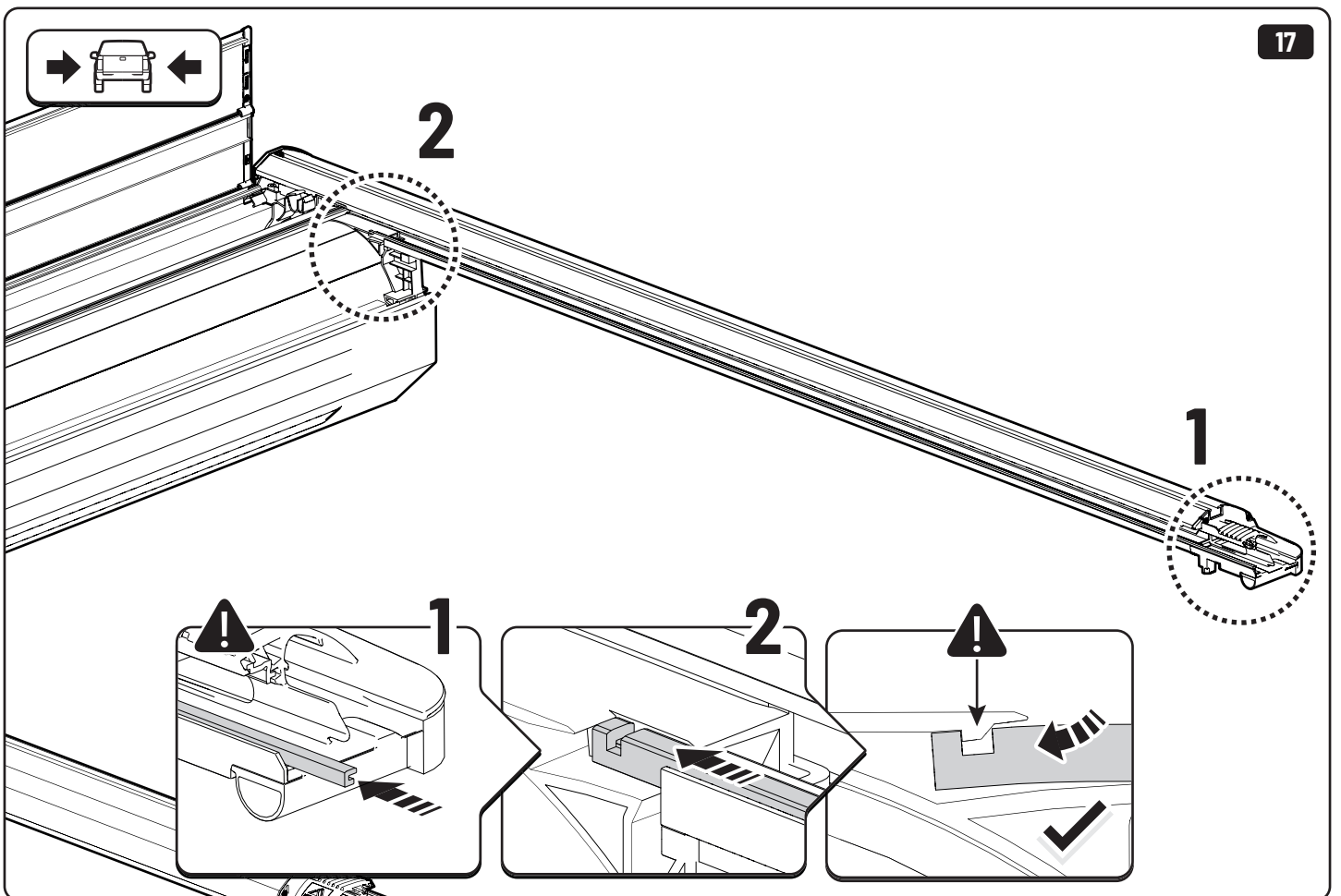
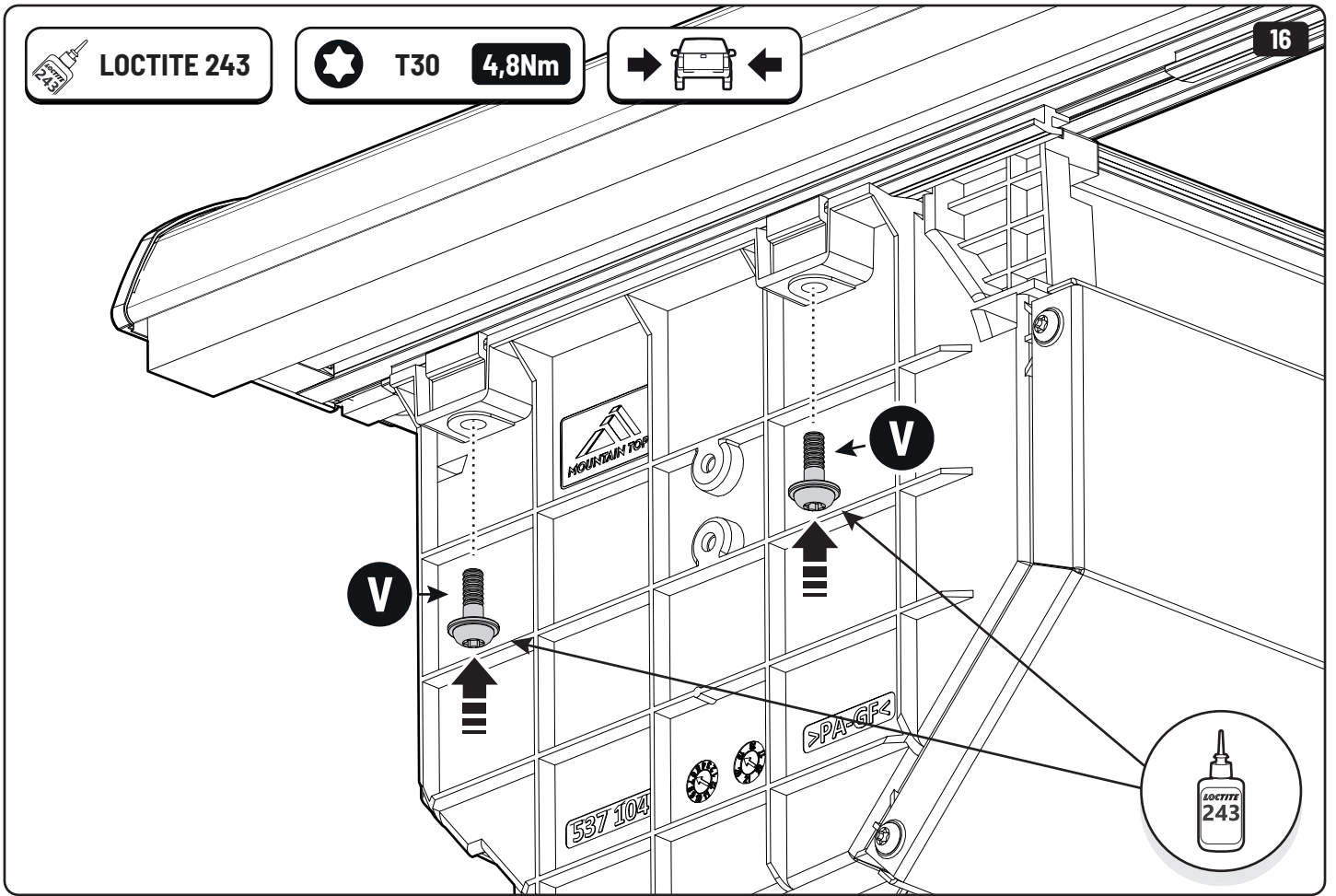


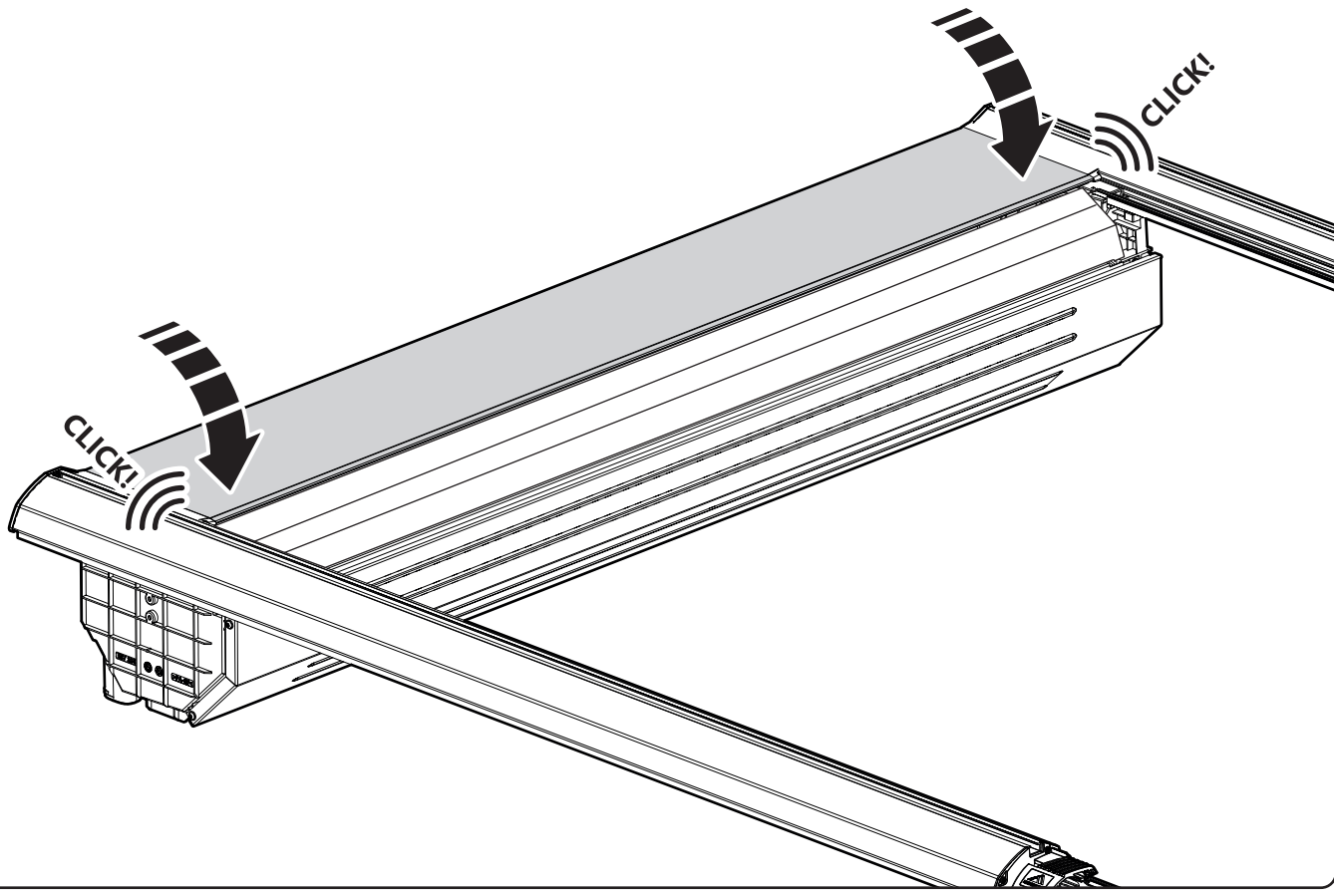
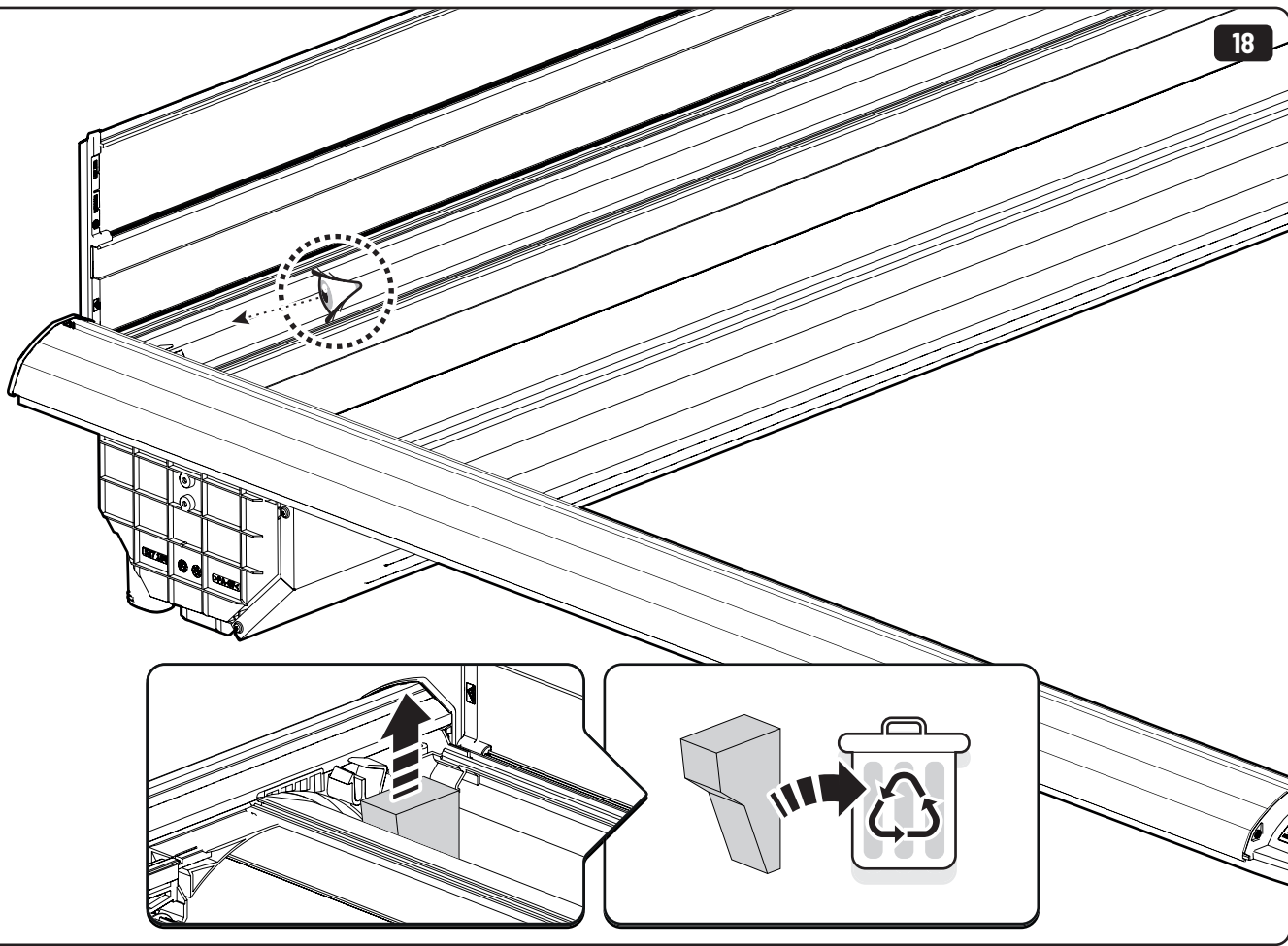


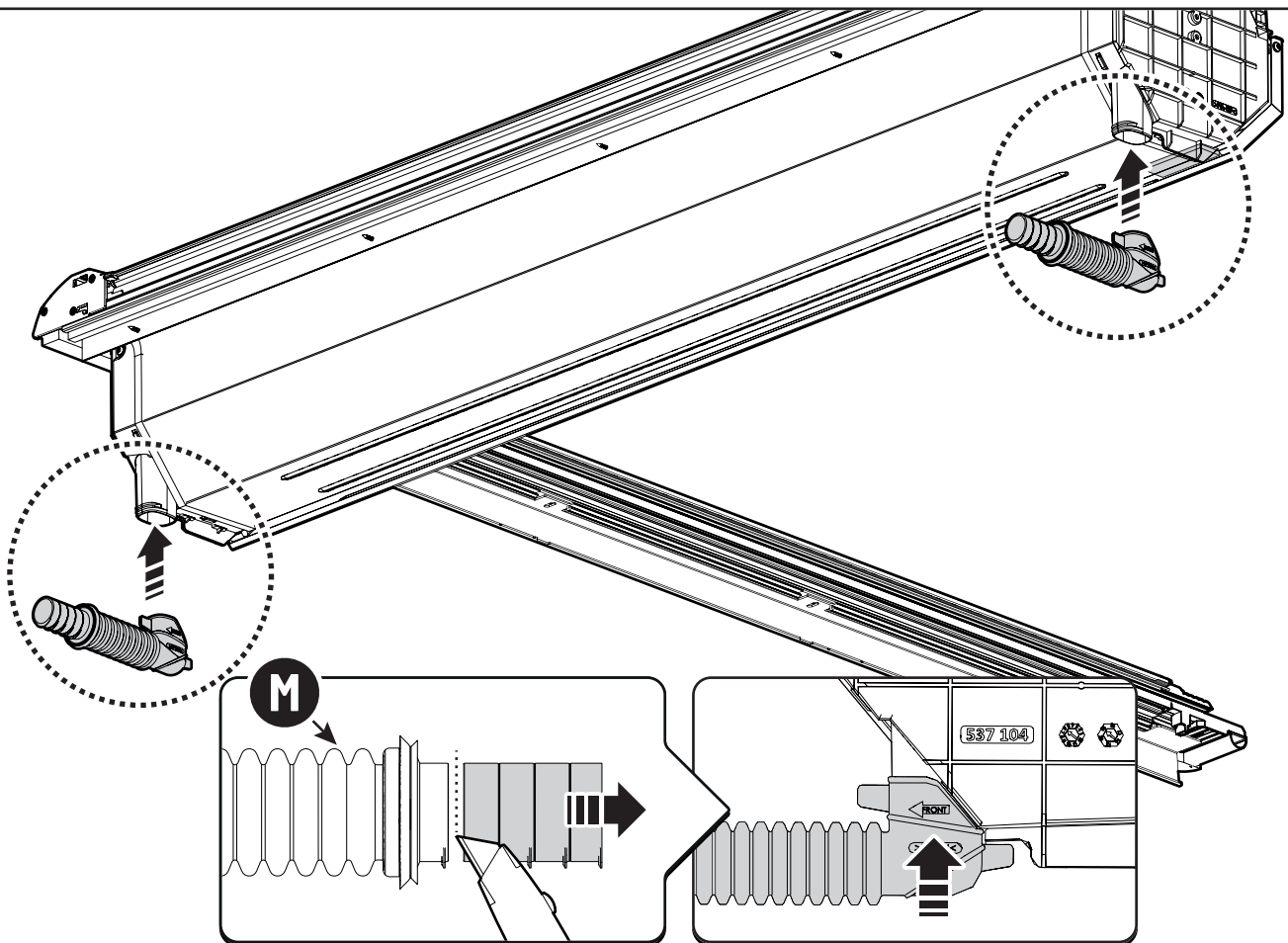
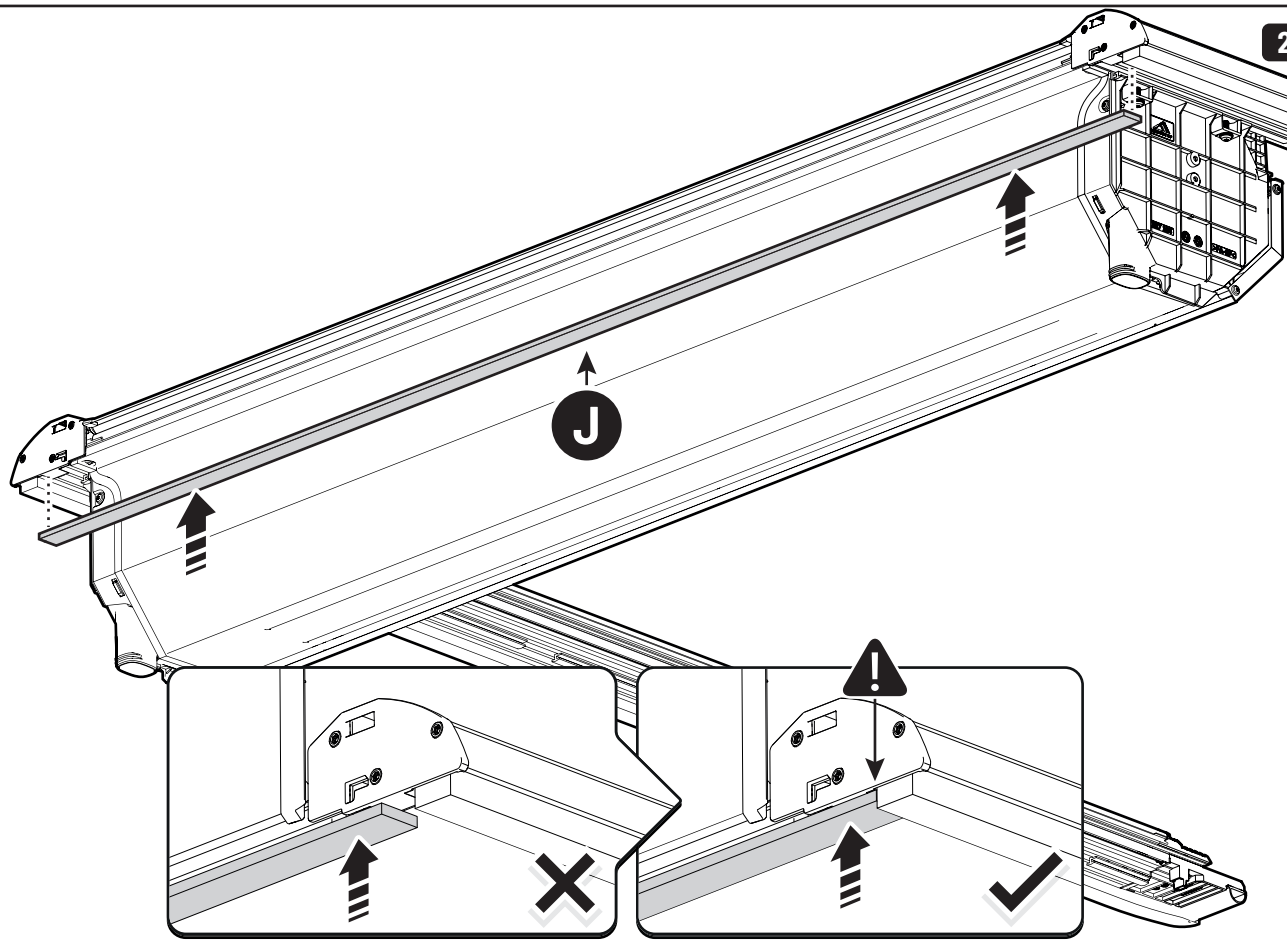




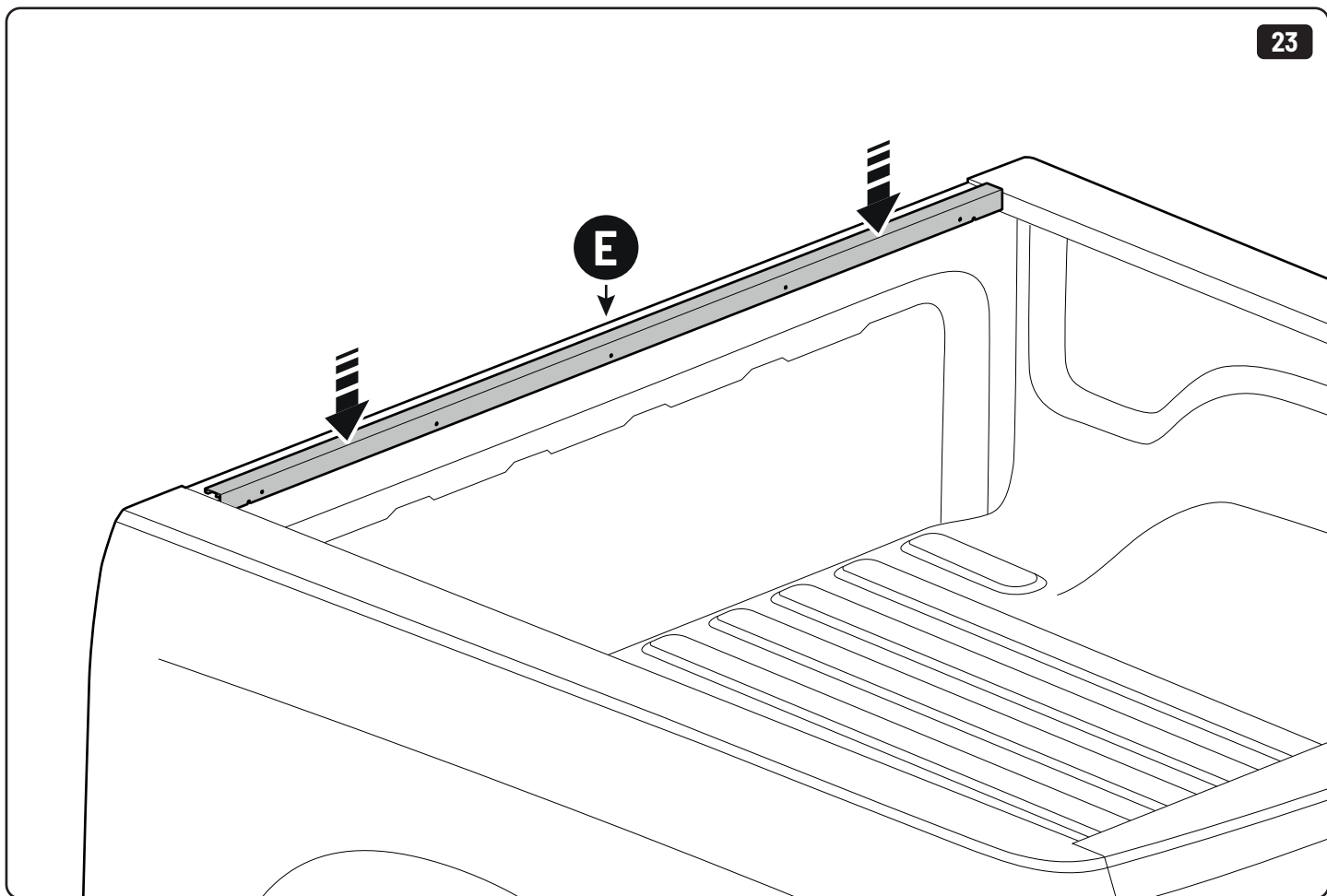
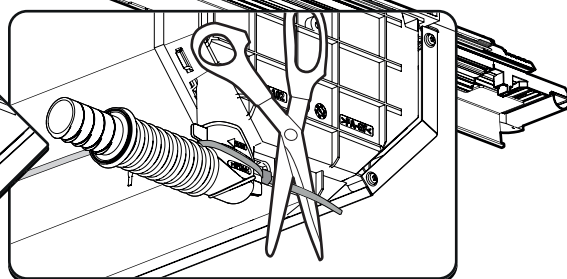
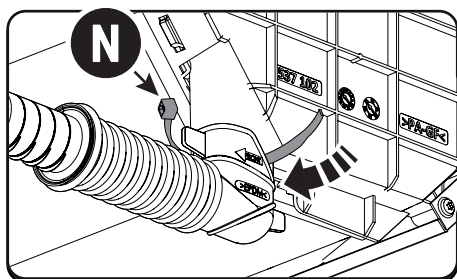
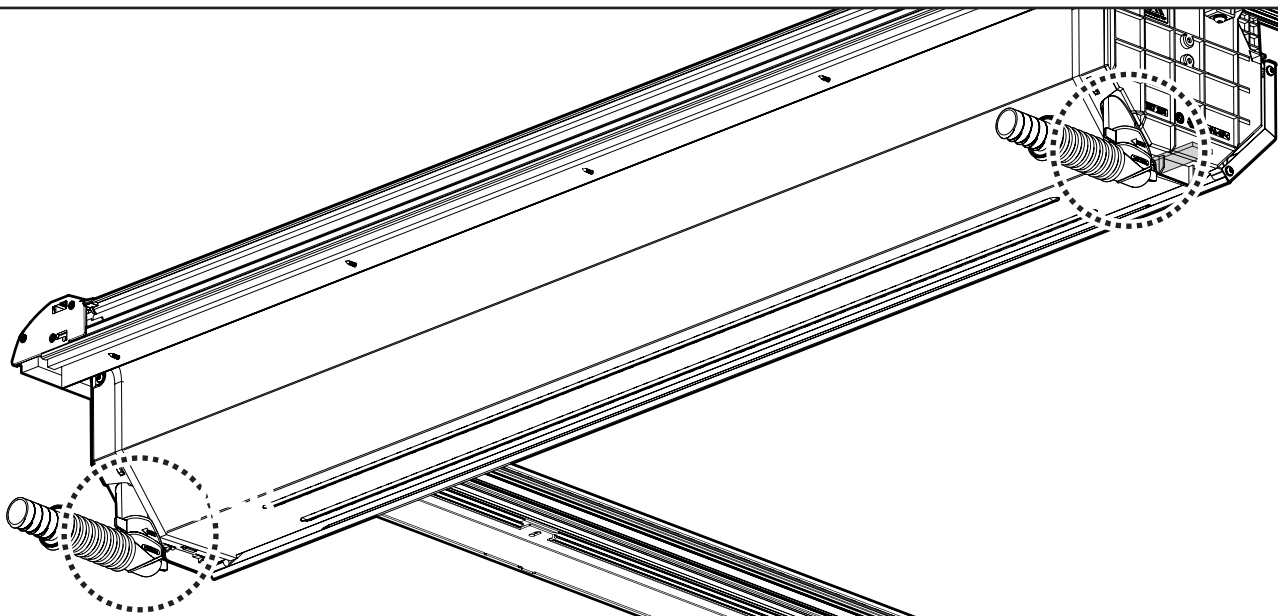


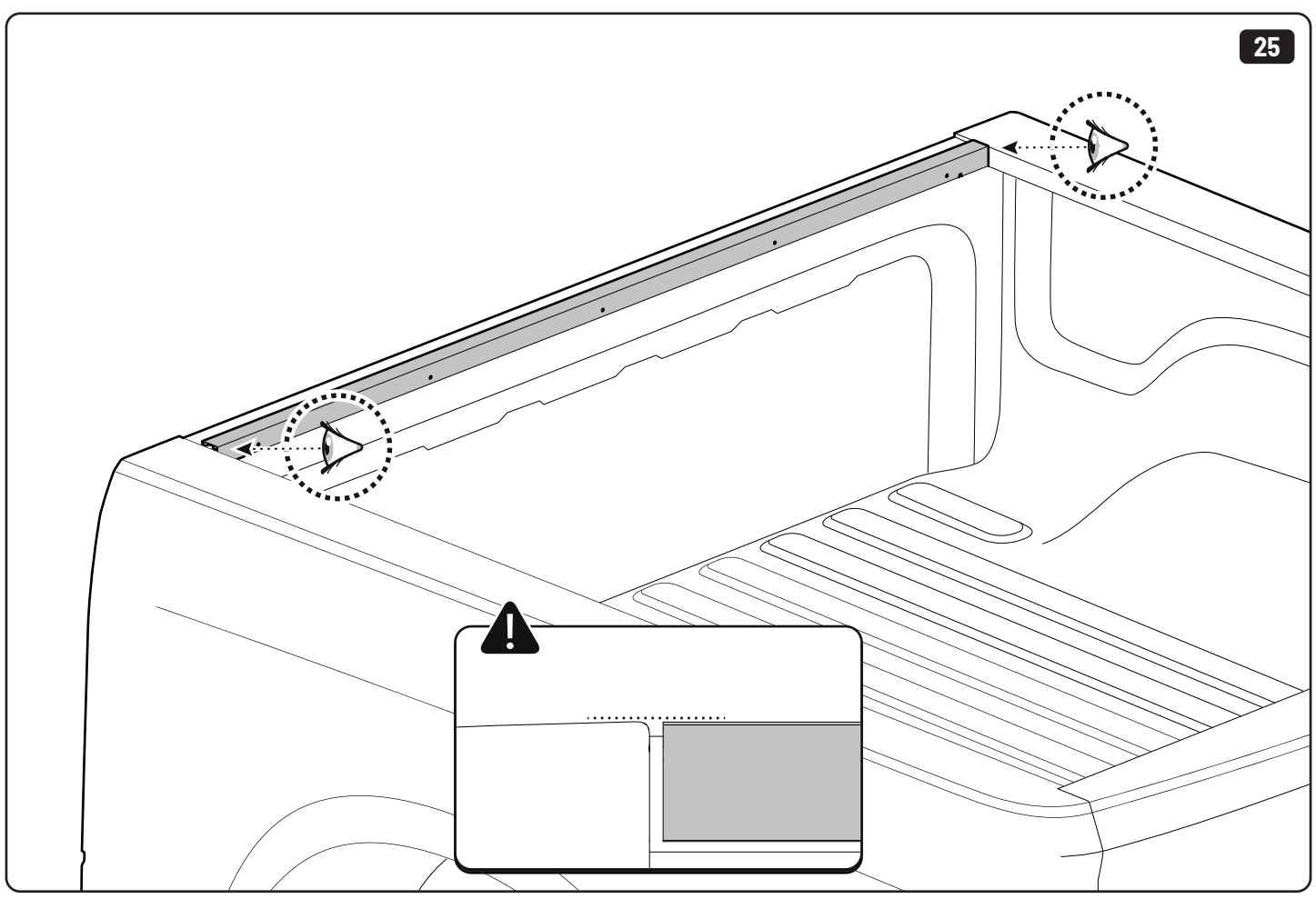
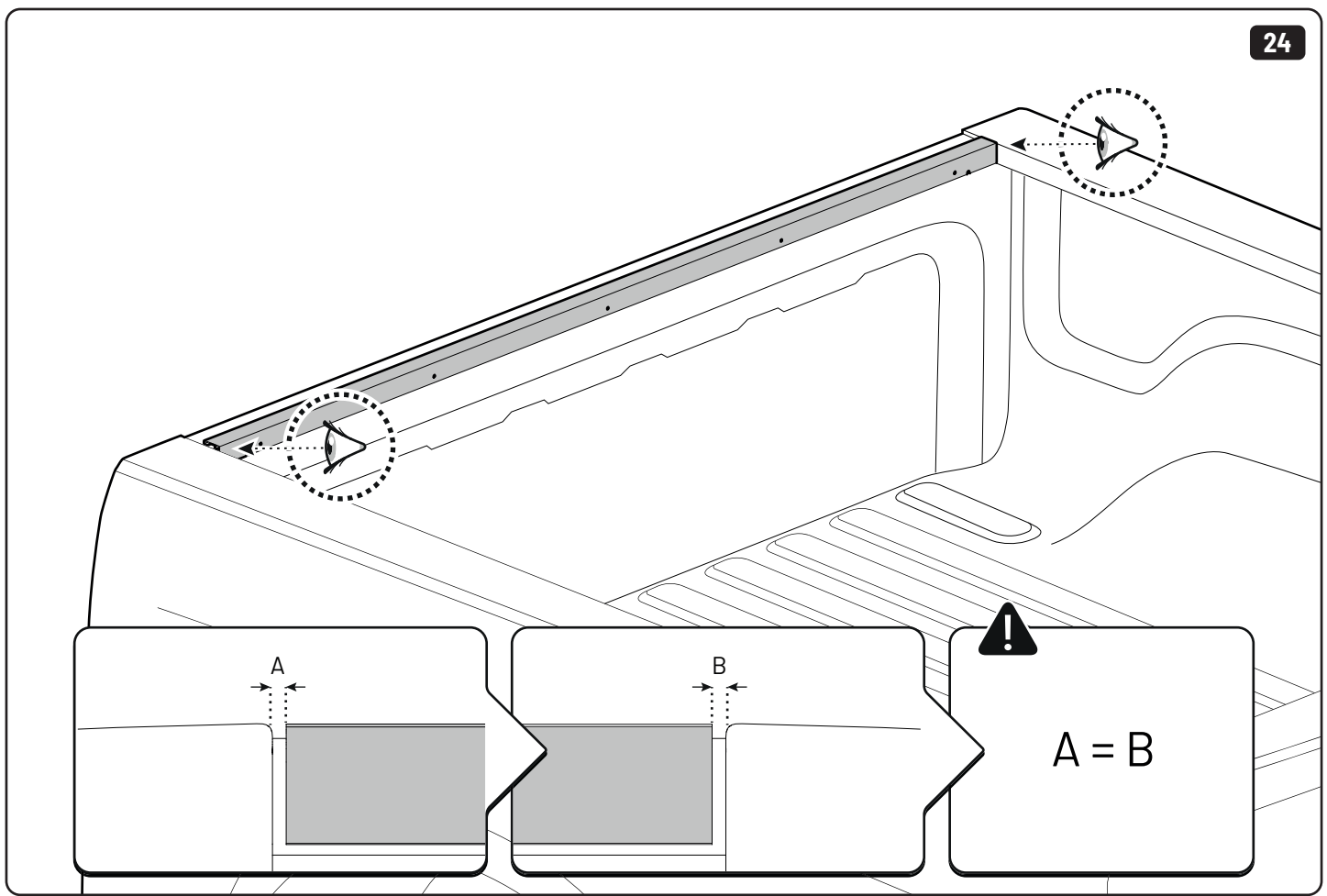


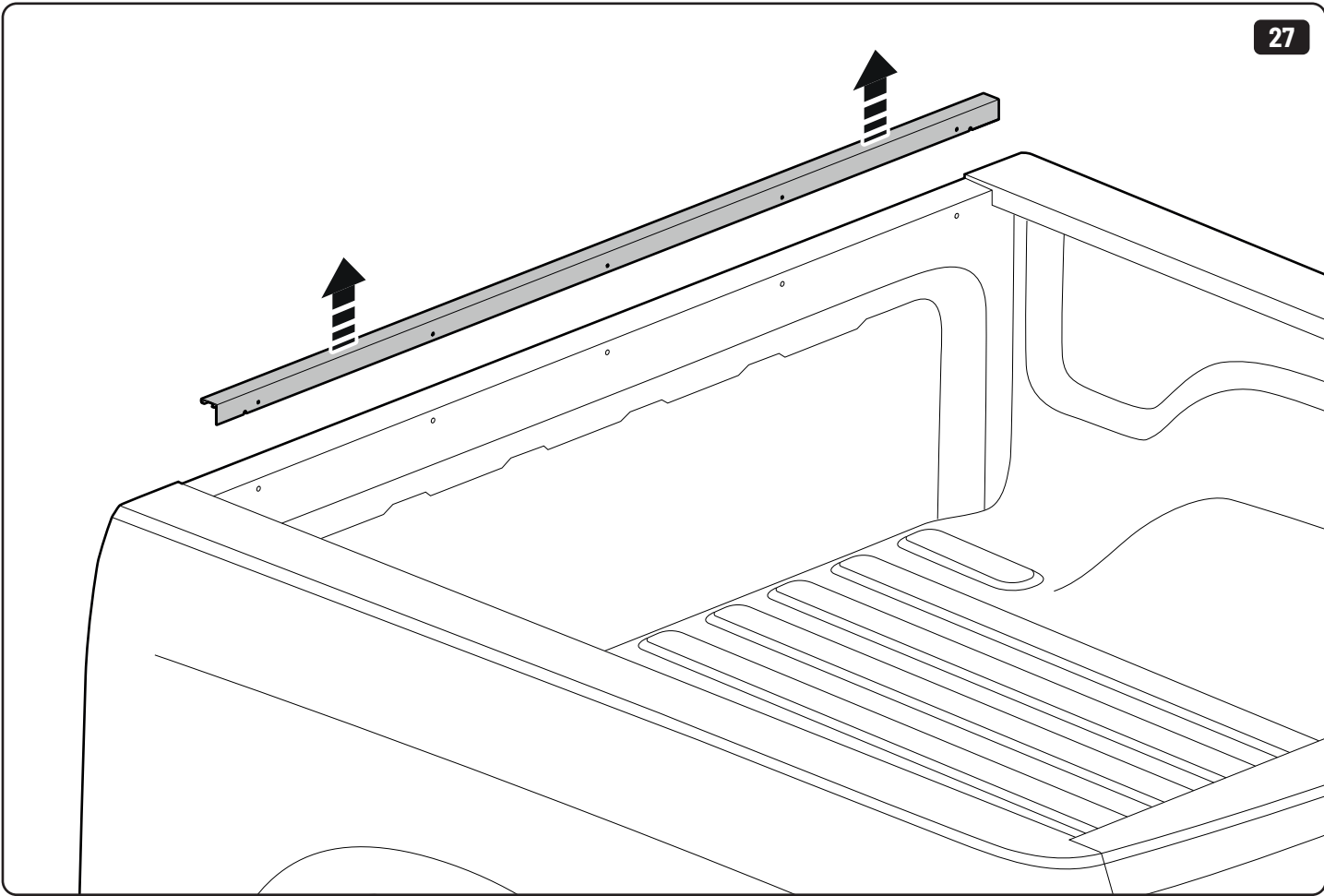
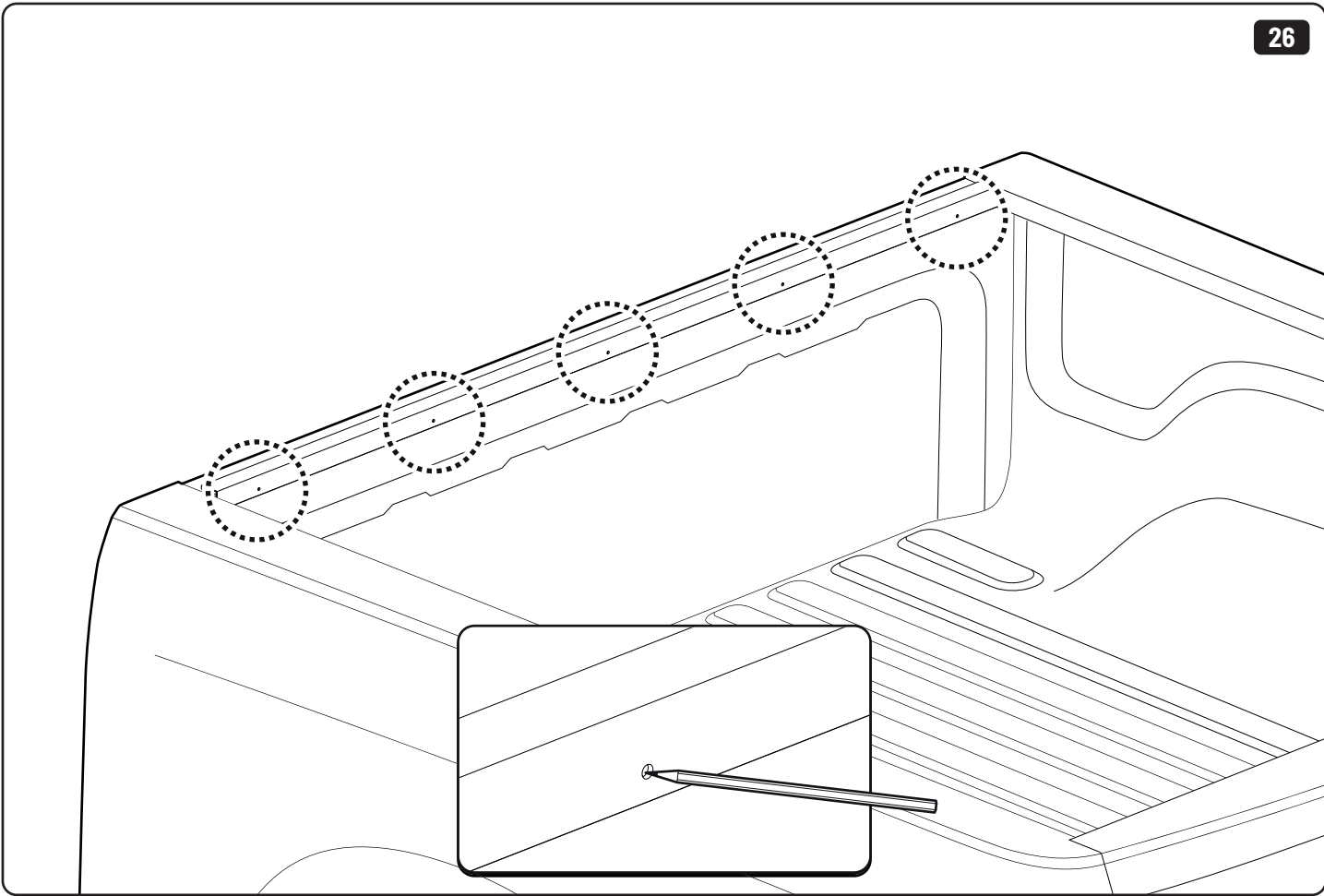







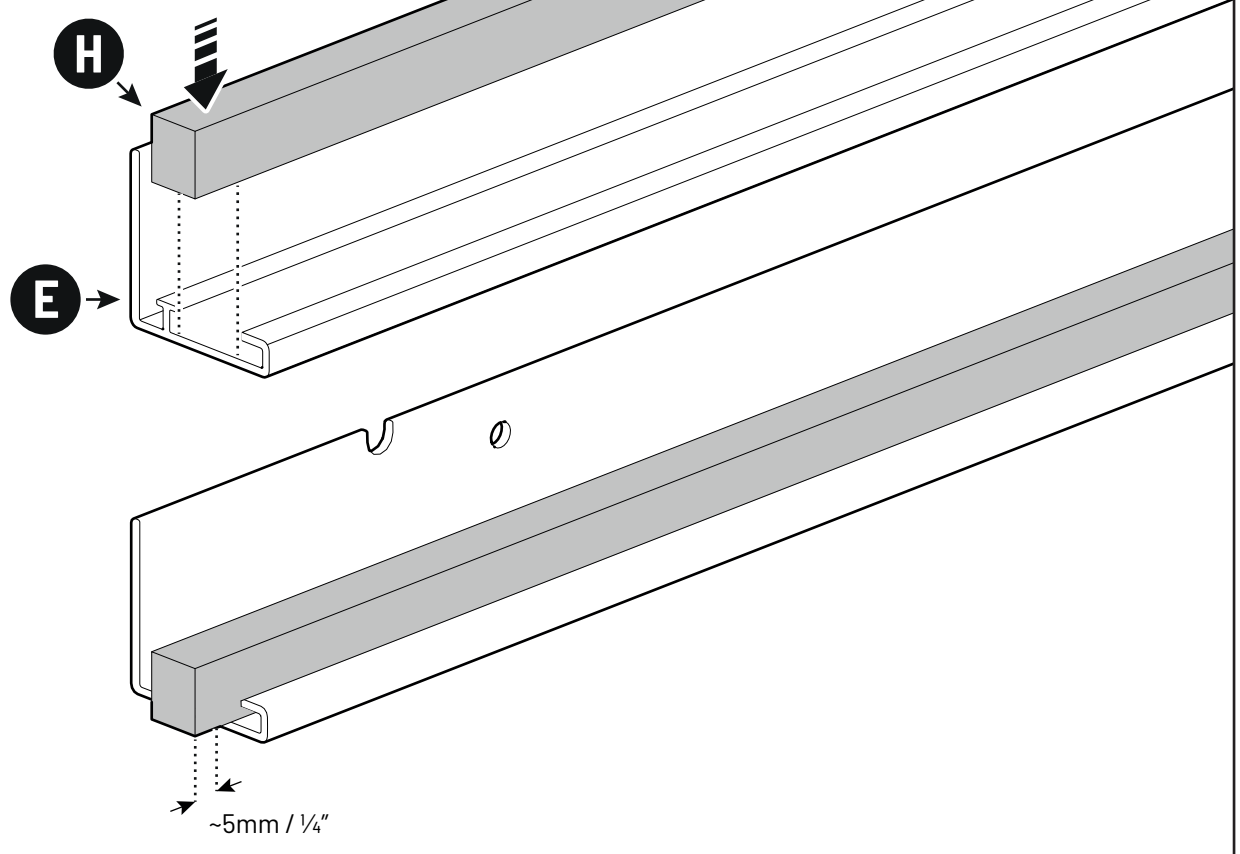
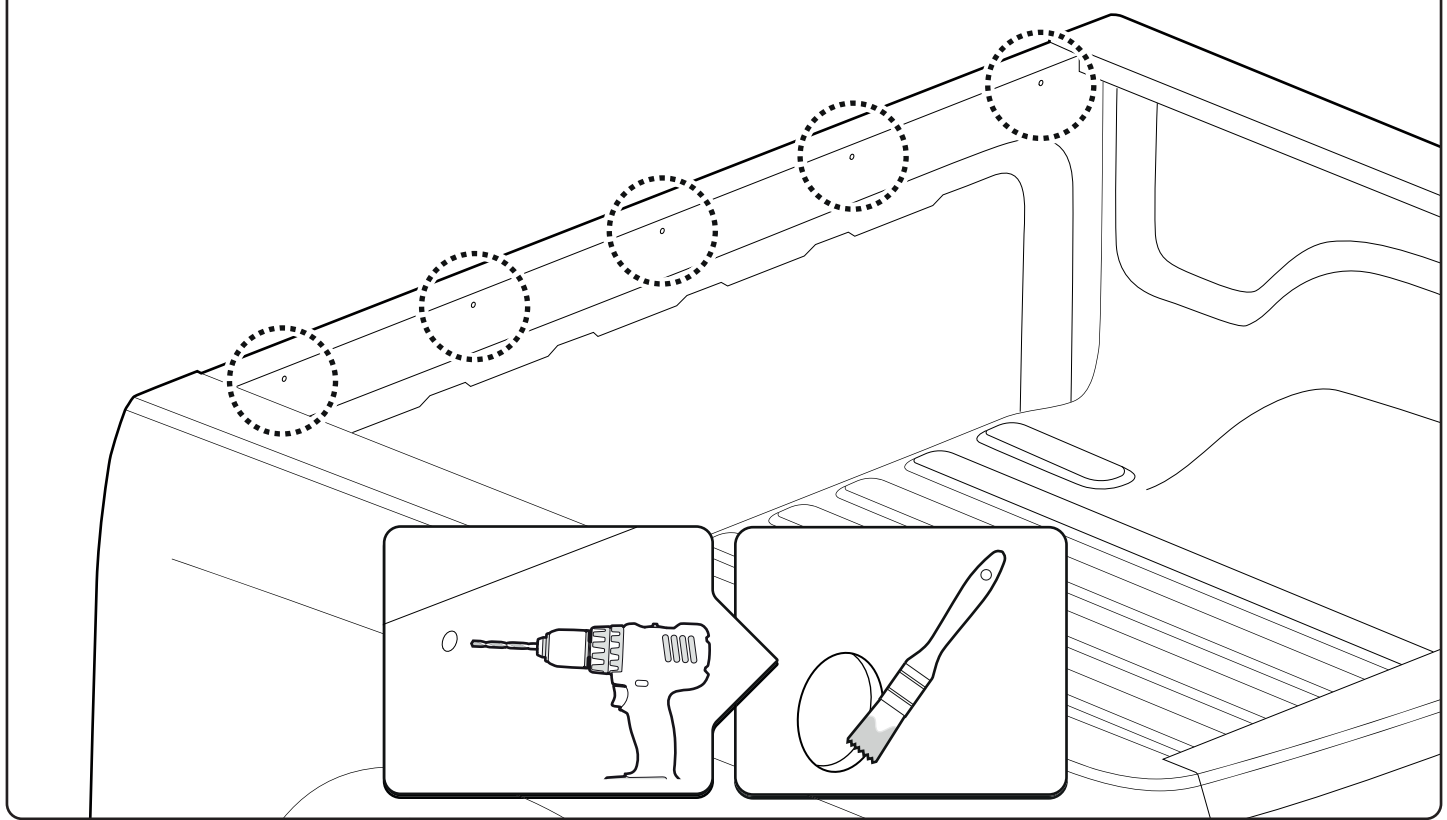


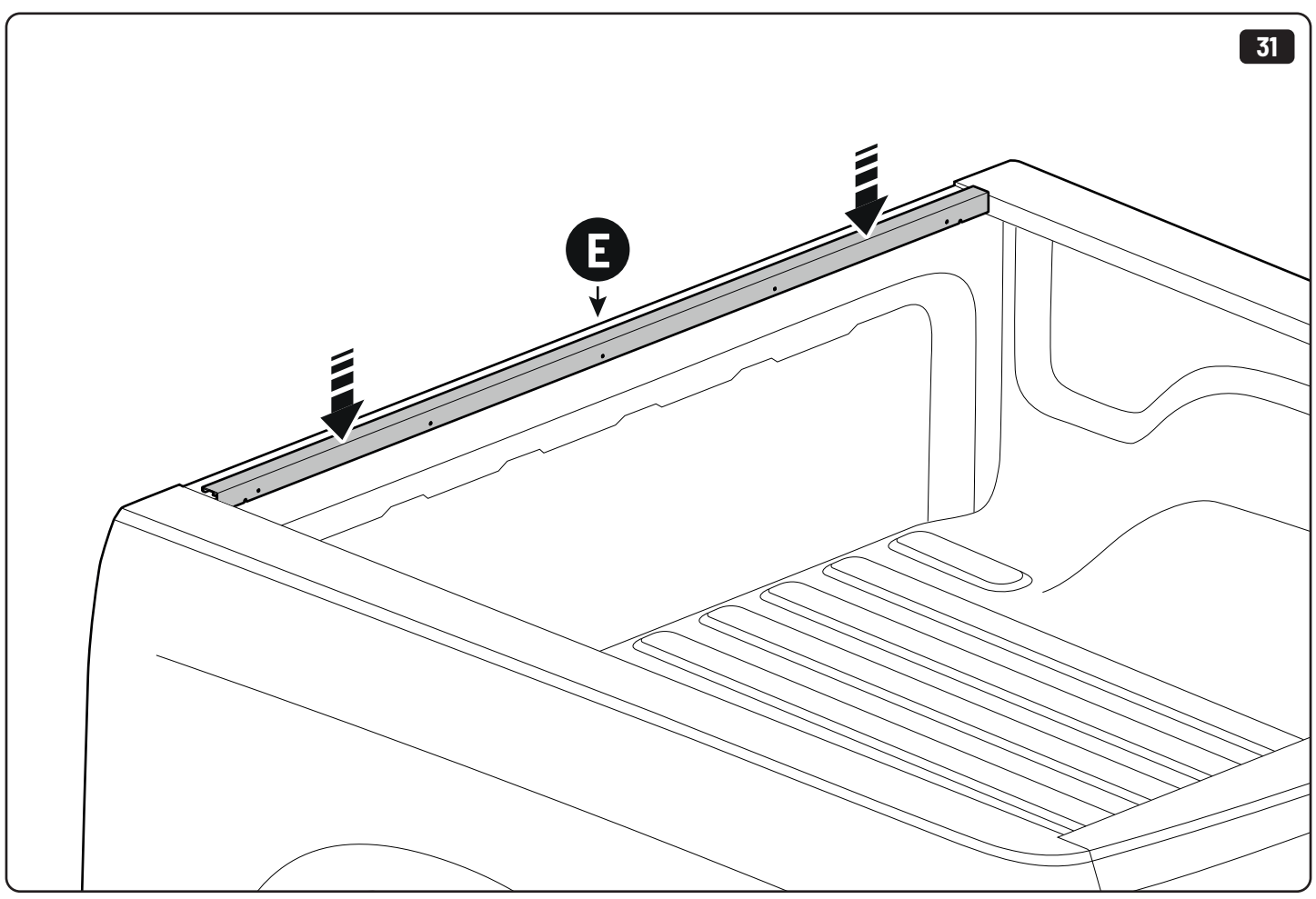
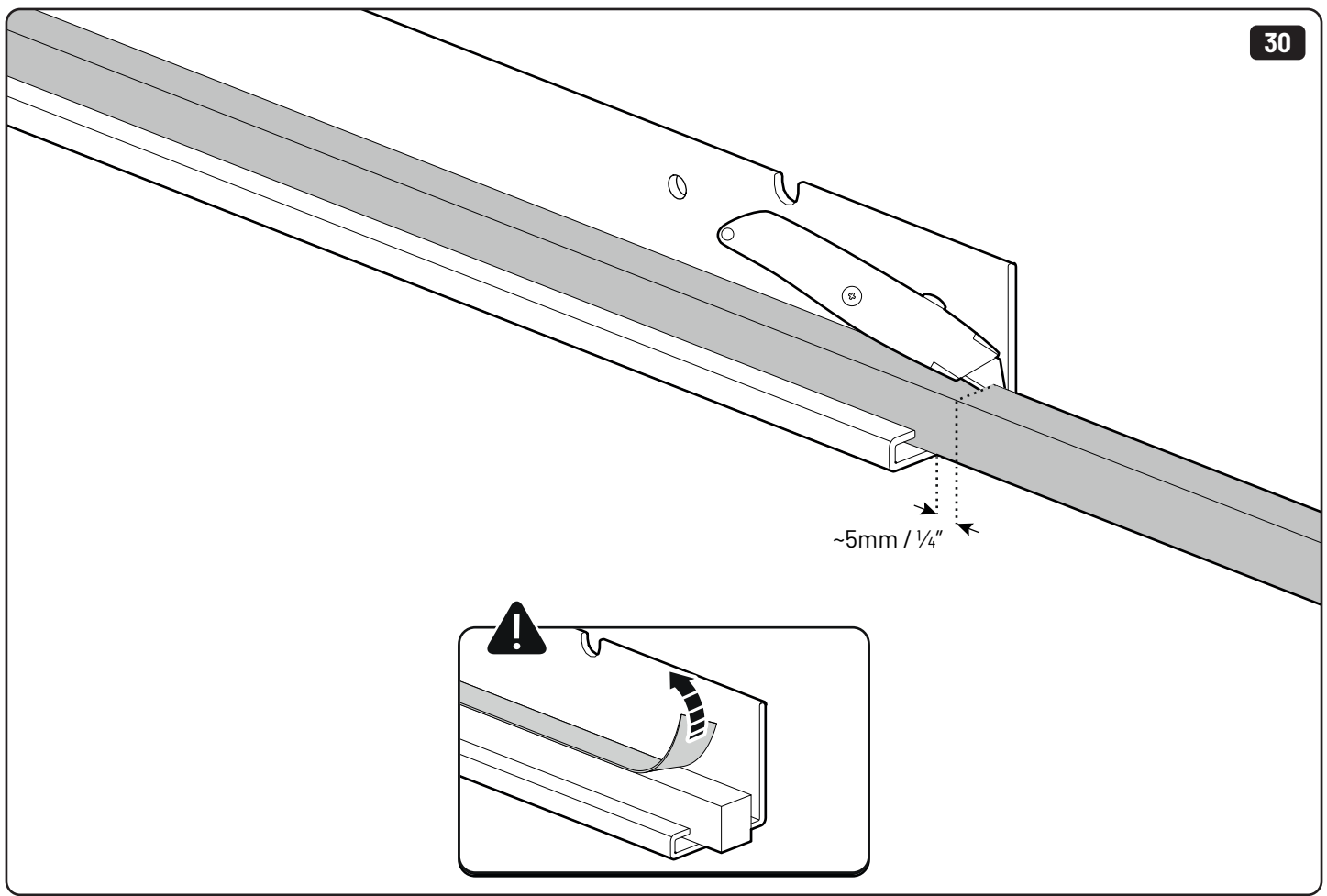


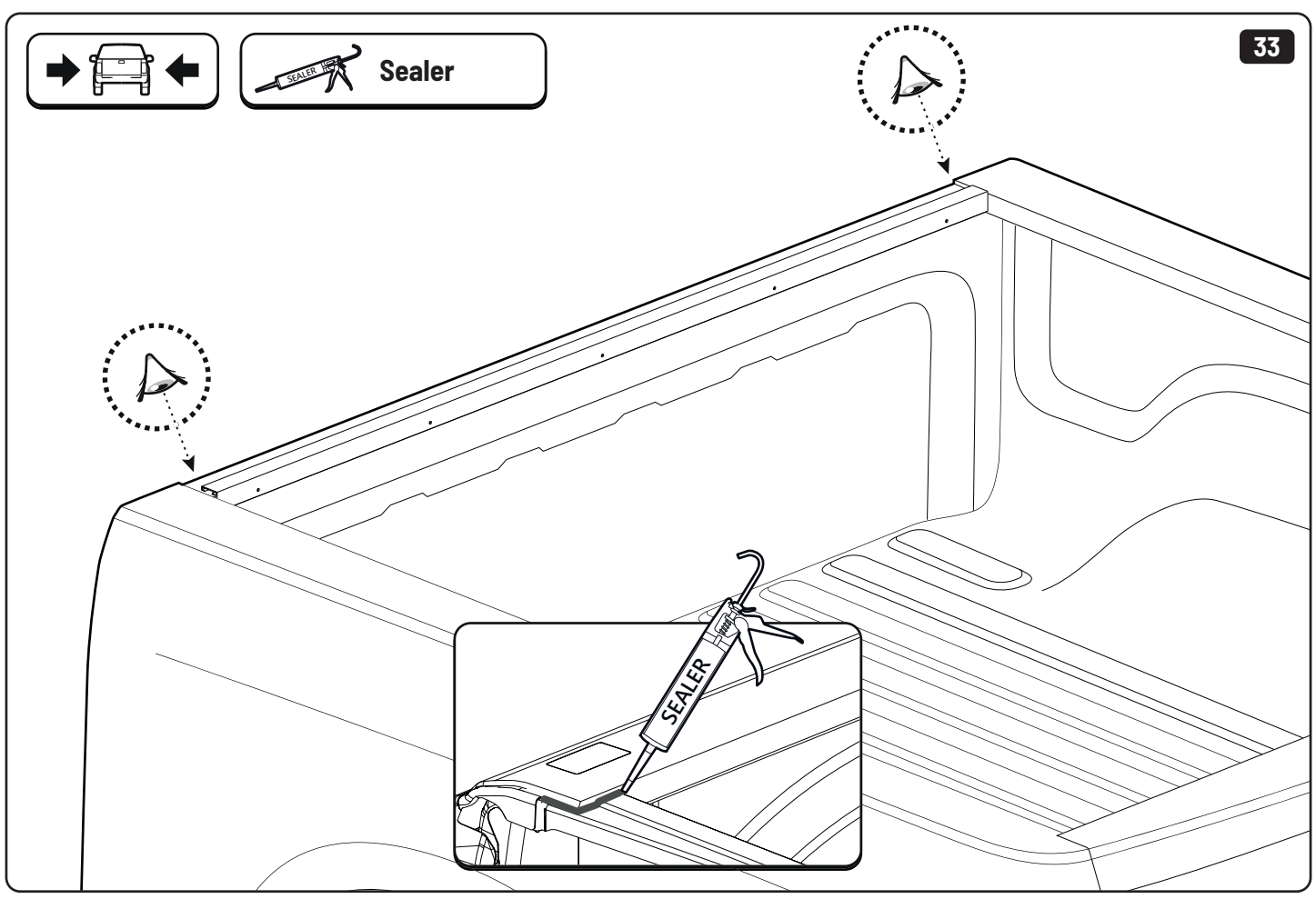
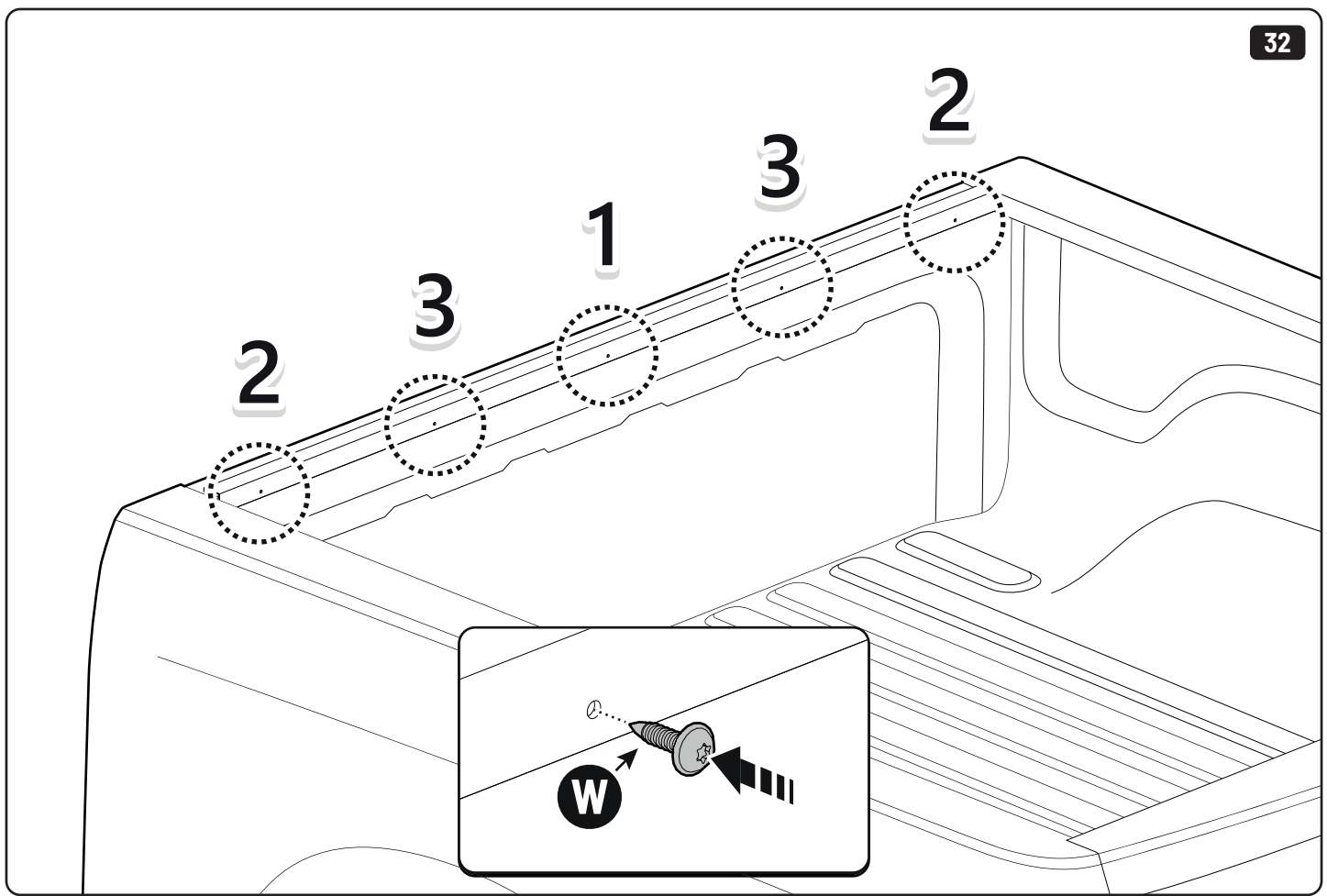


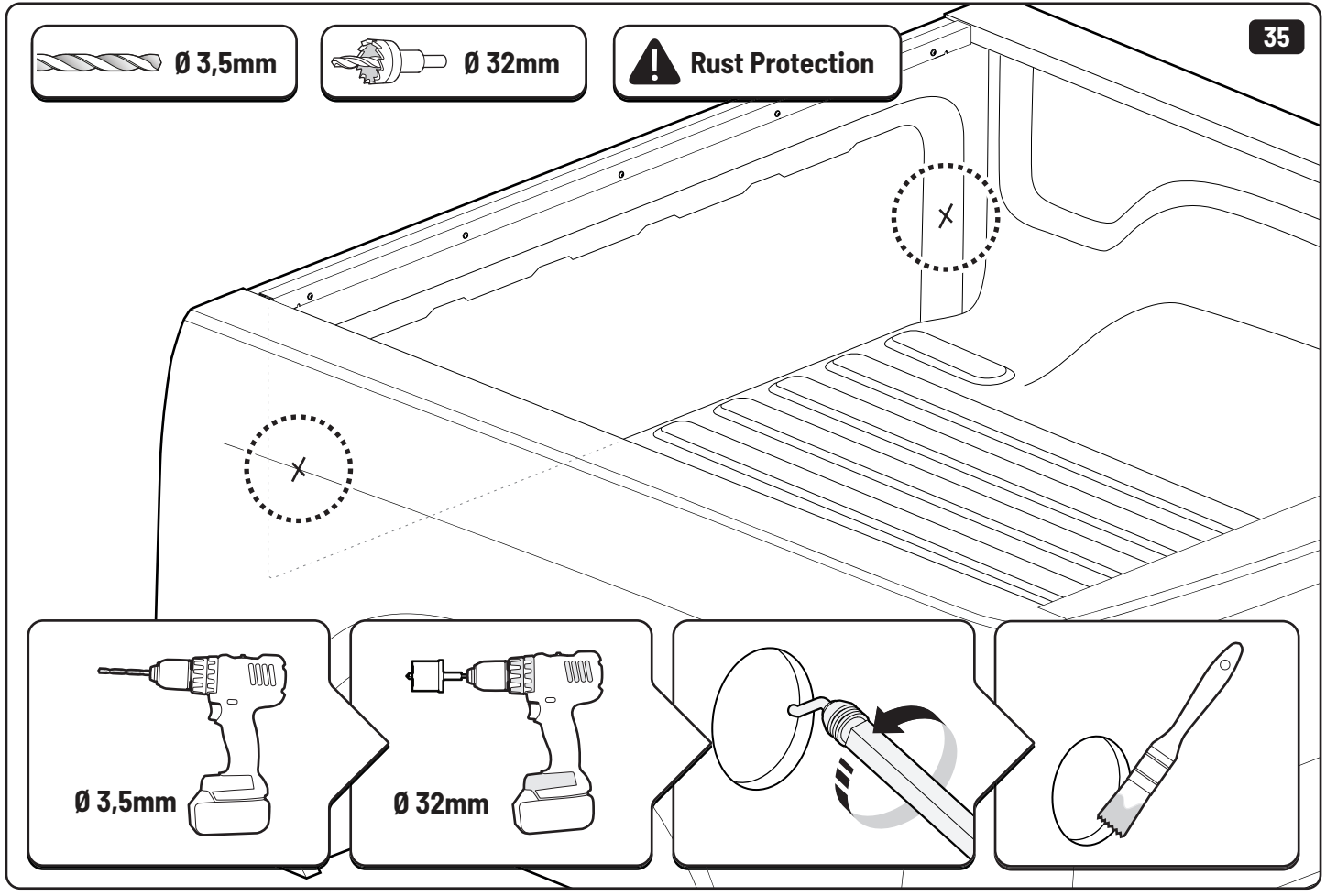
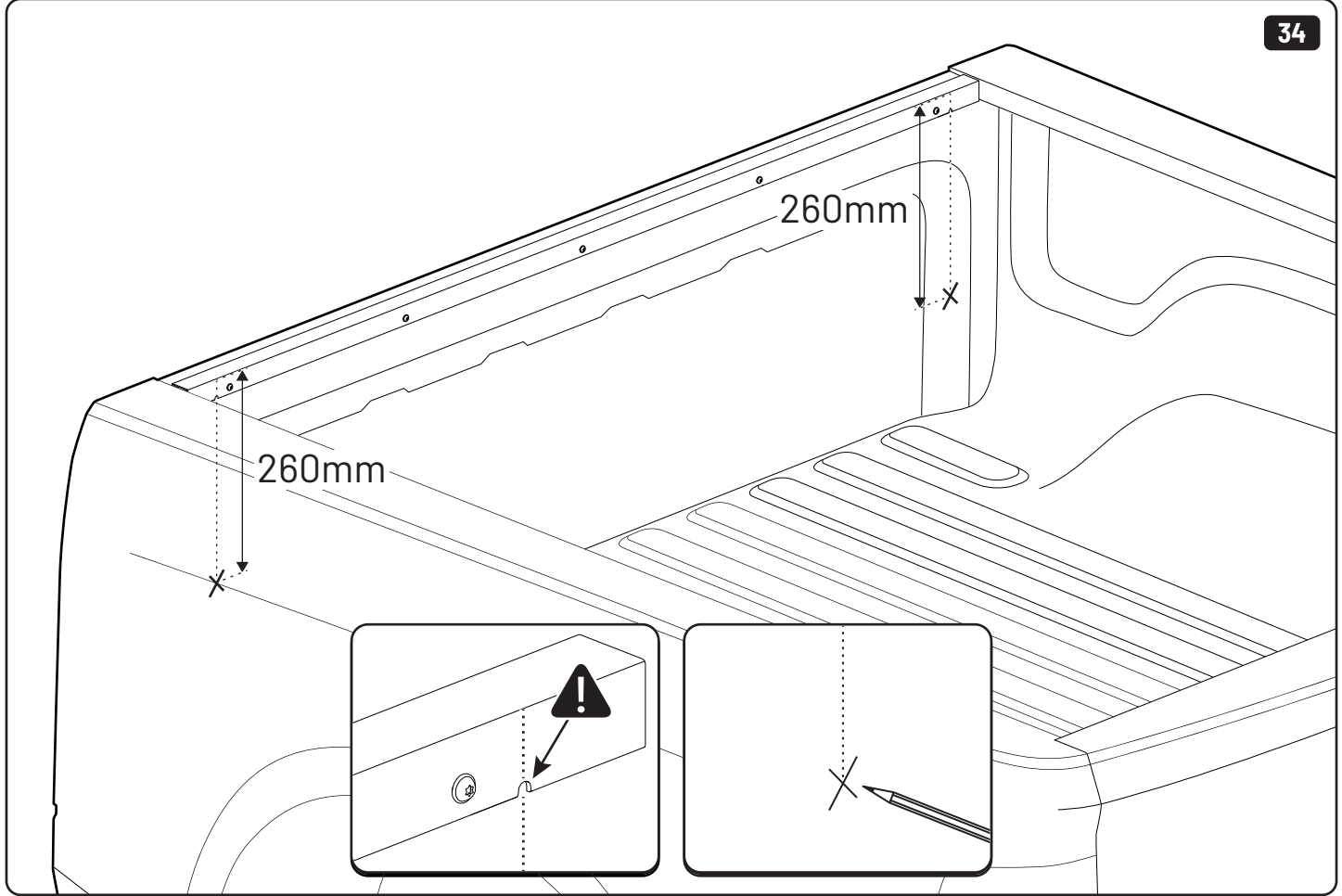
 Ø 2,4mm 3/32"

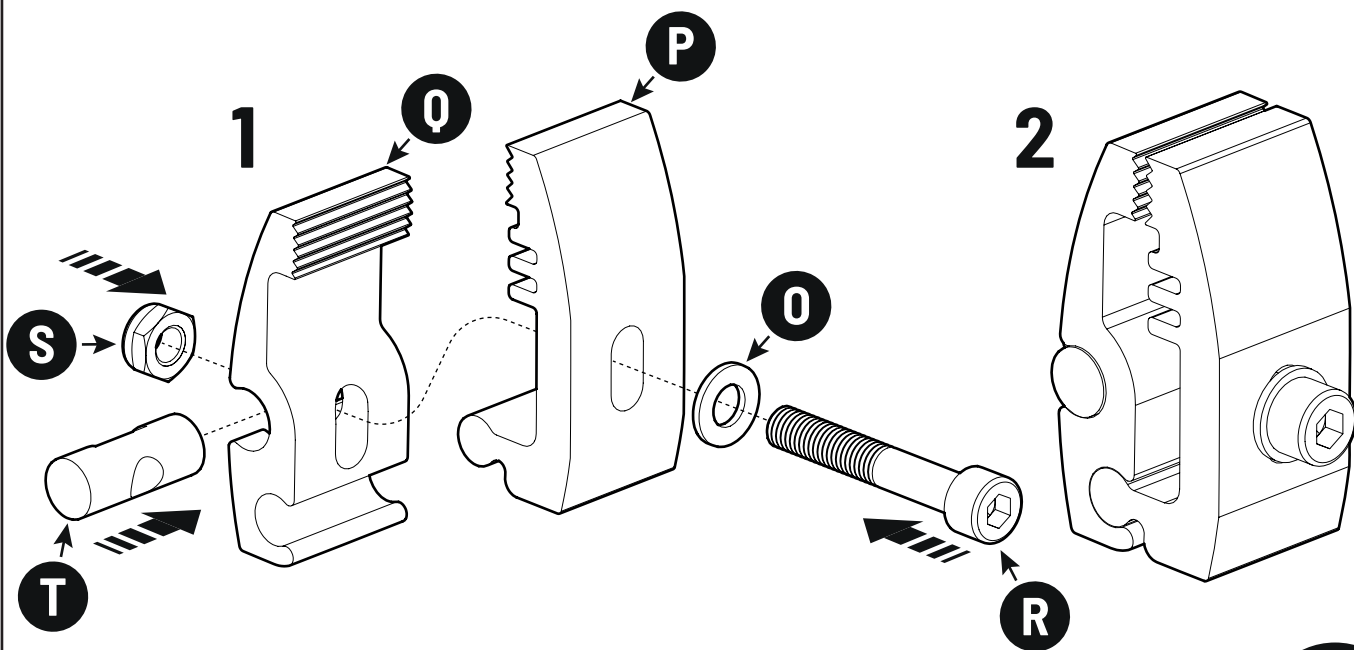
 Rust Protection



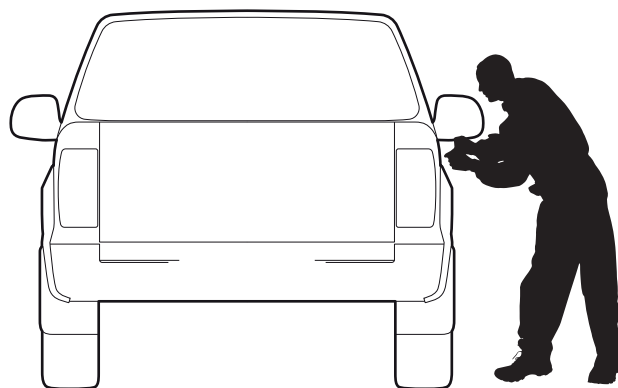
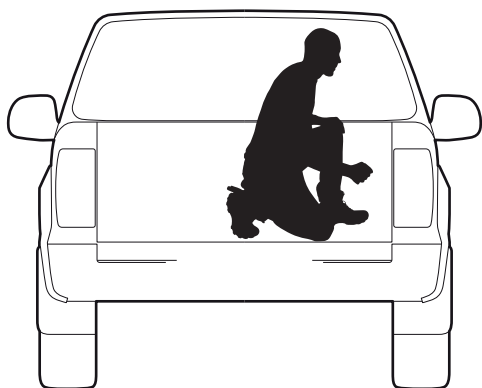




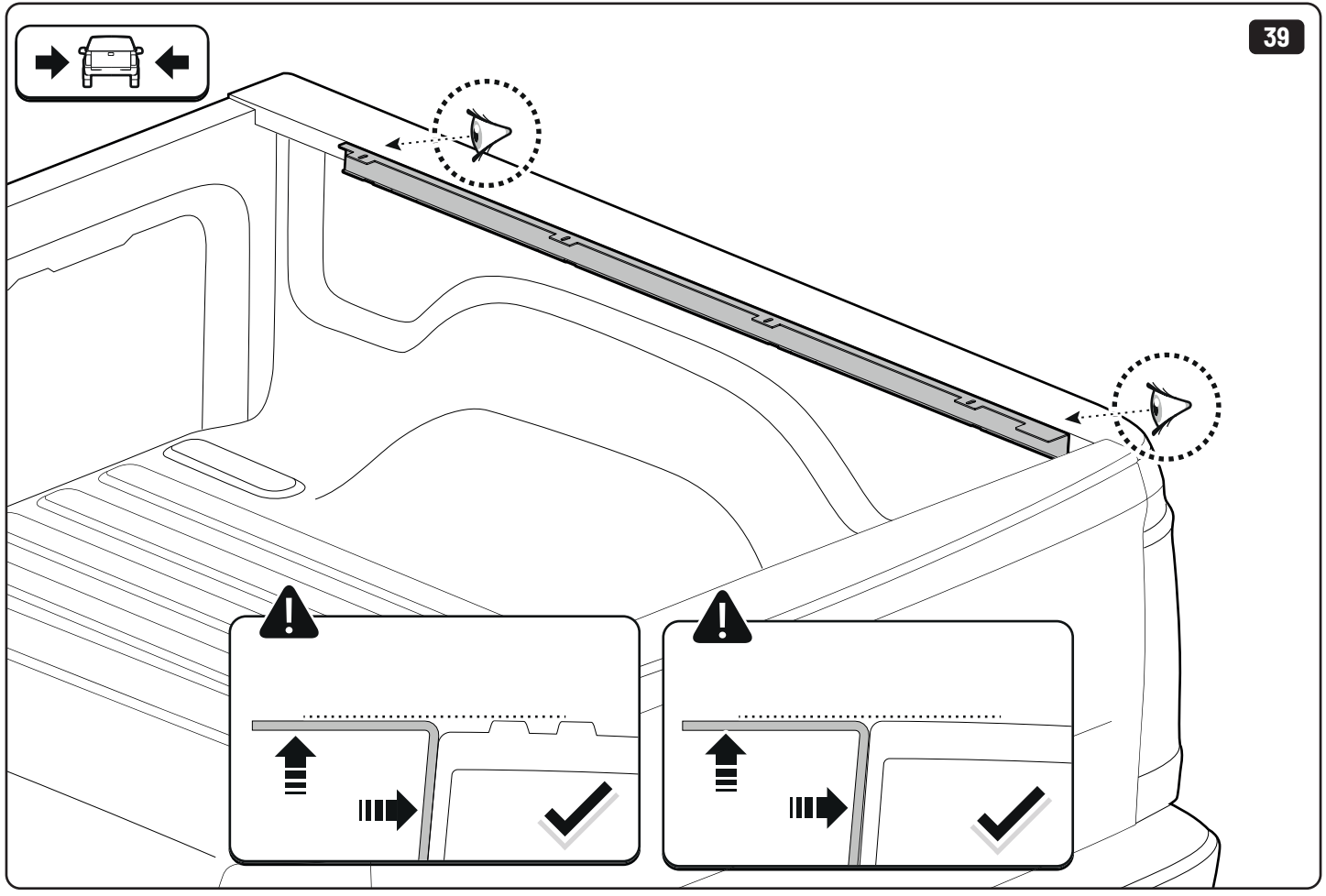
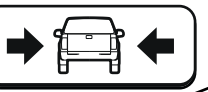
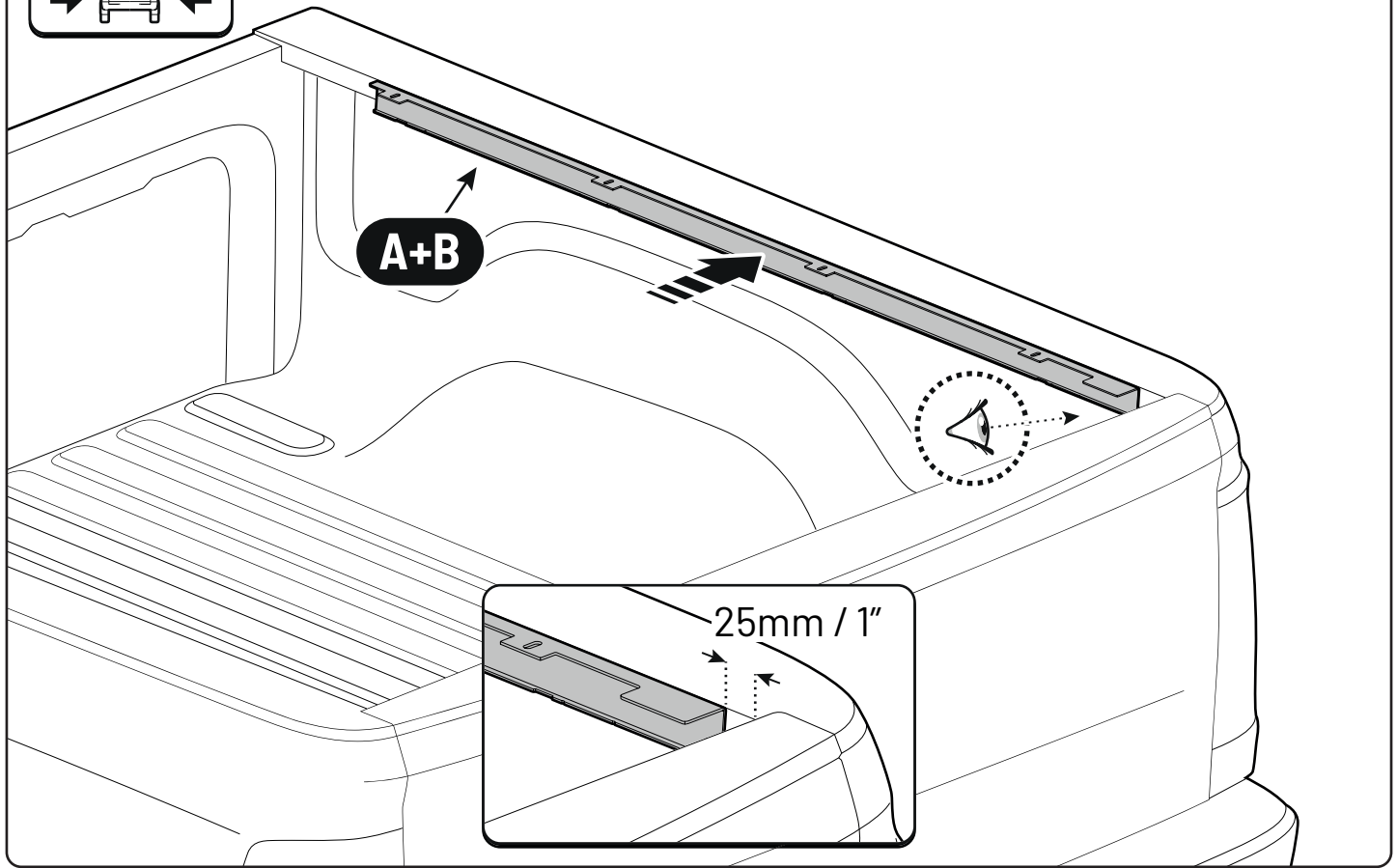
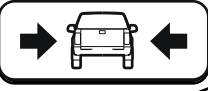


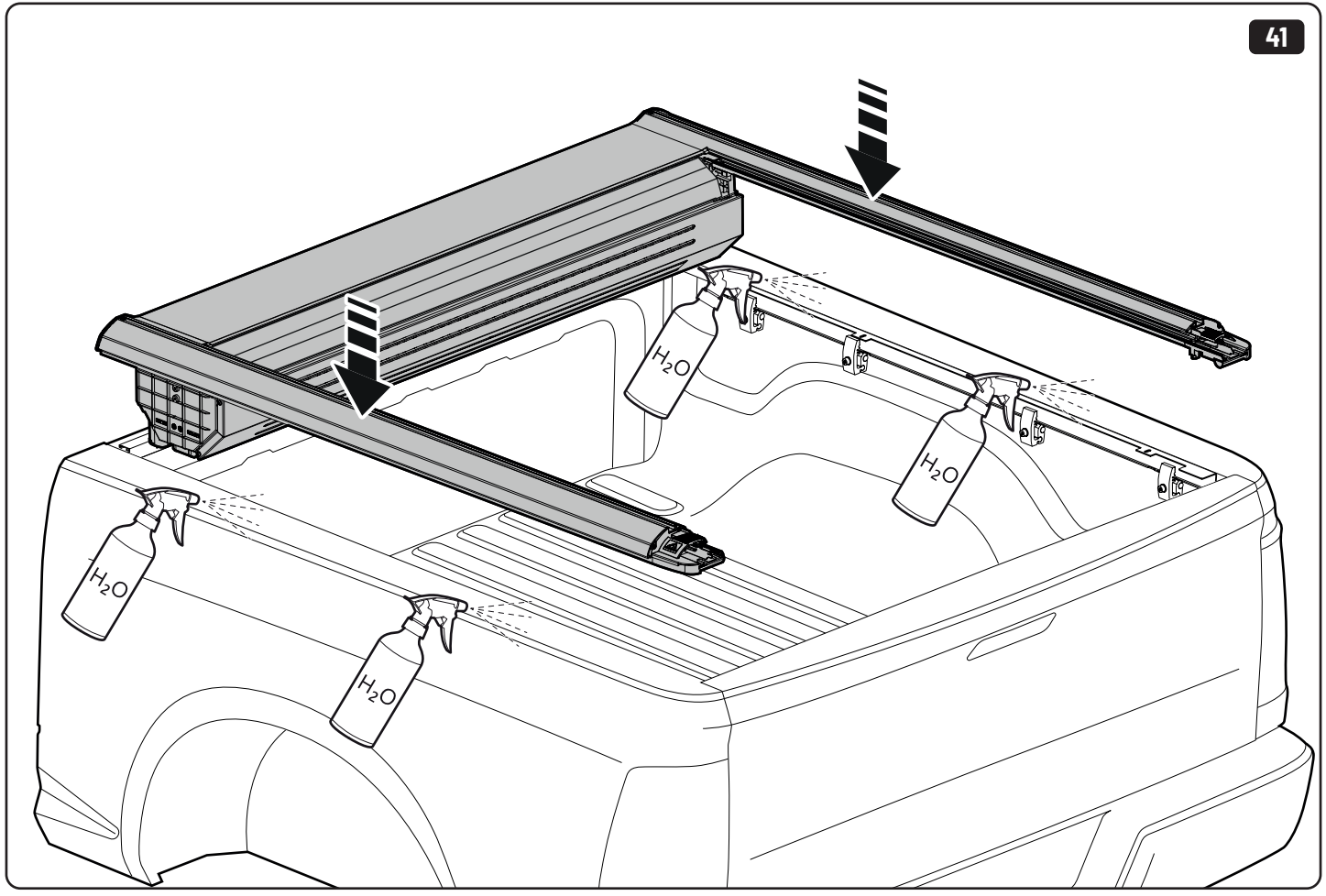
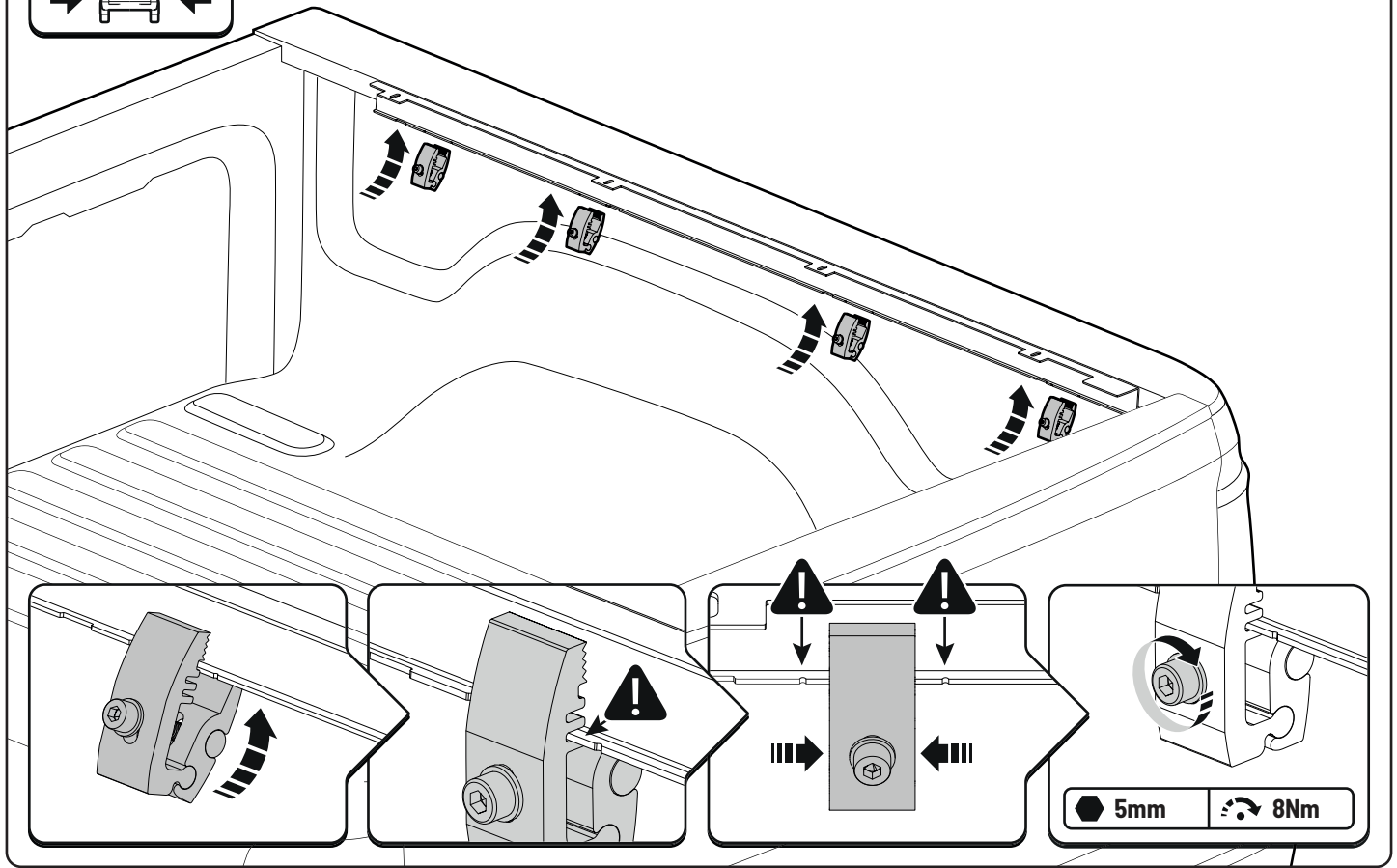
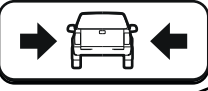


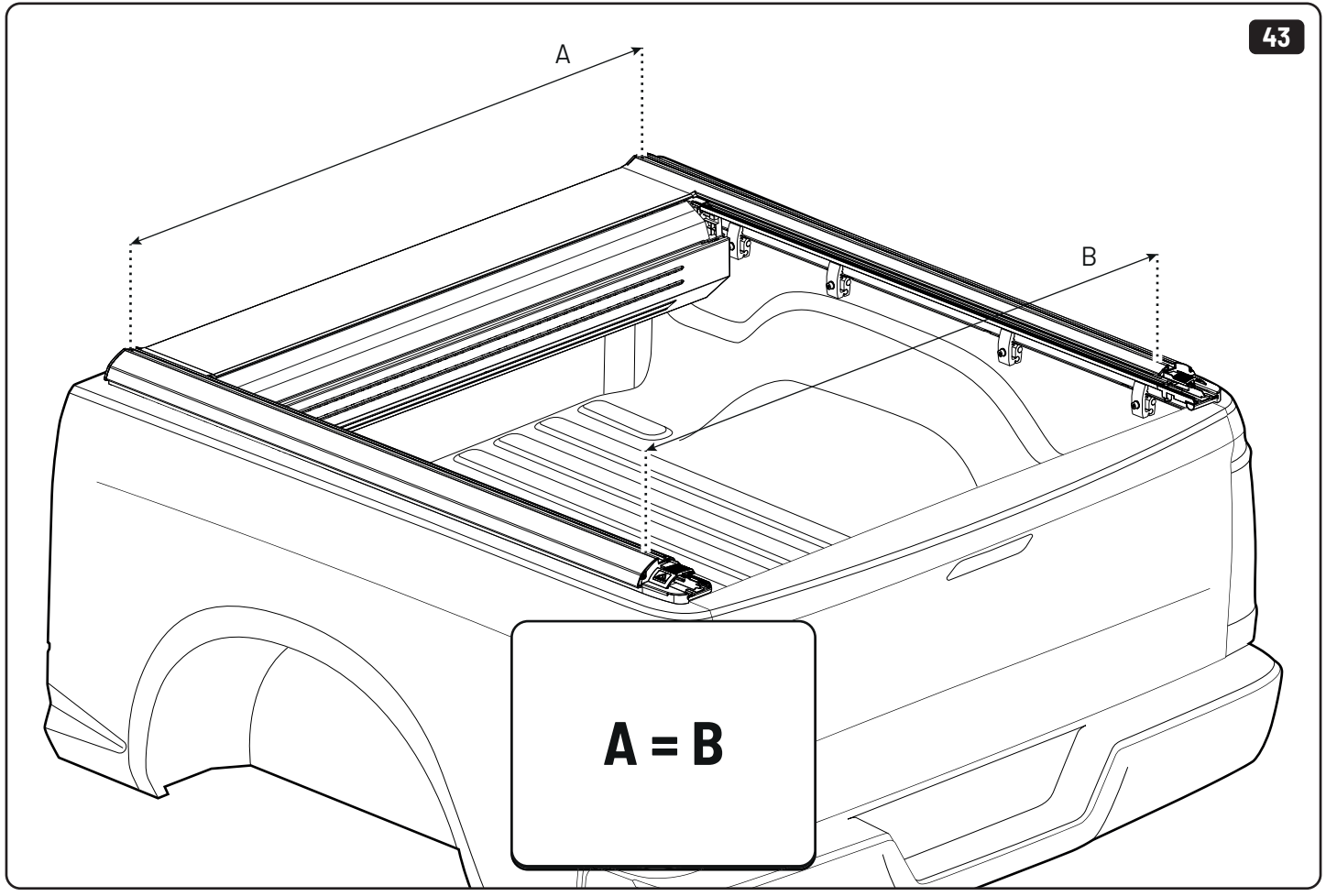
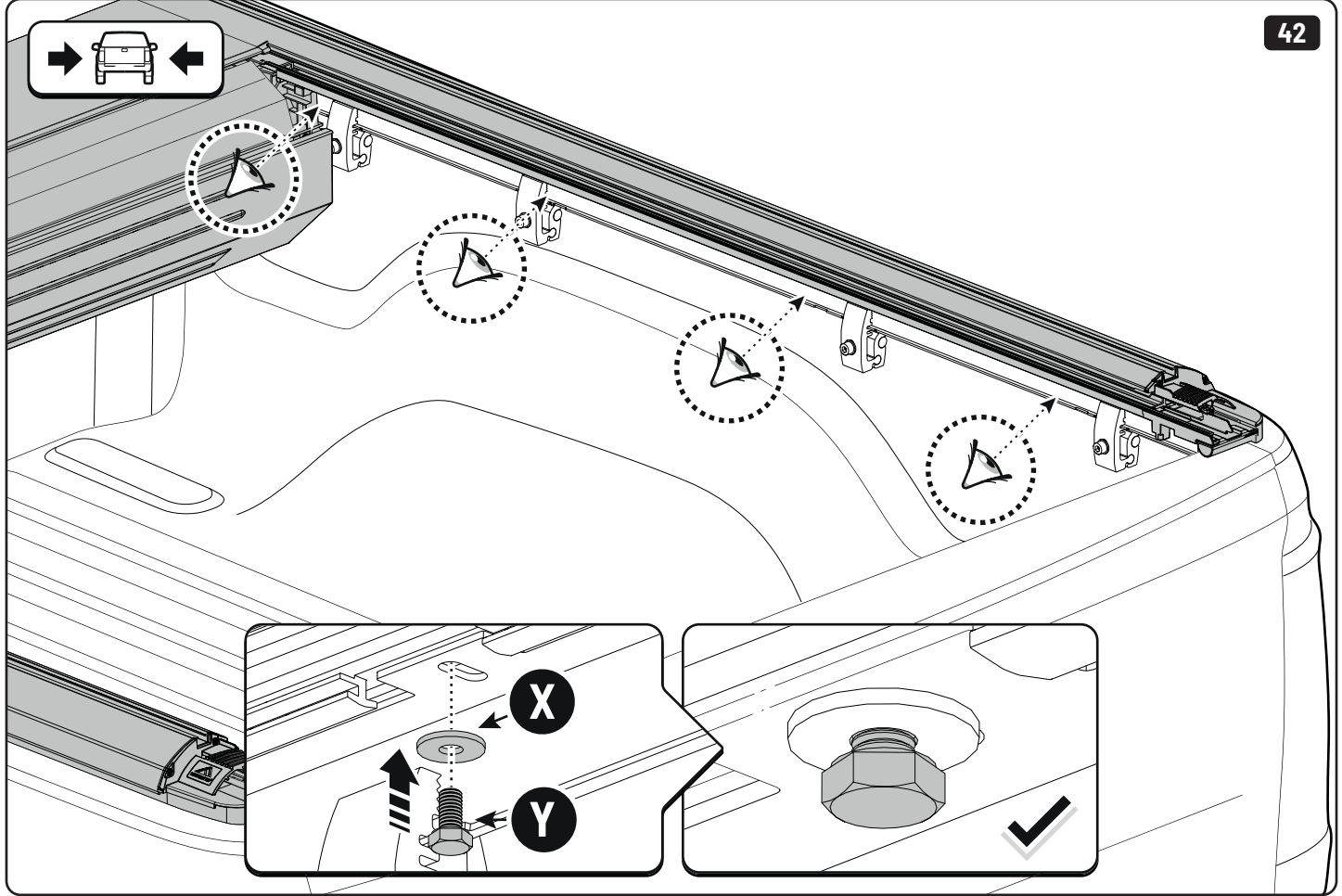
**x8**

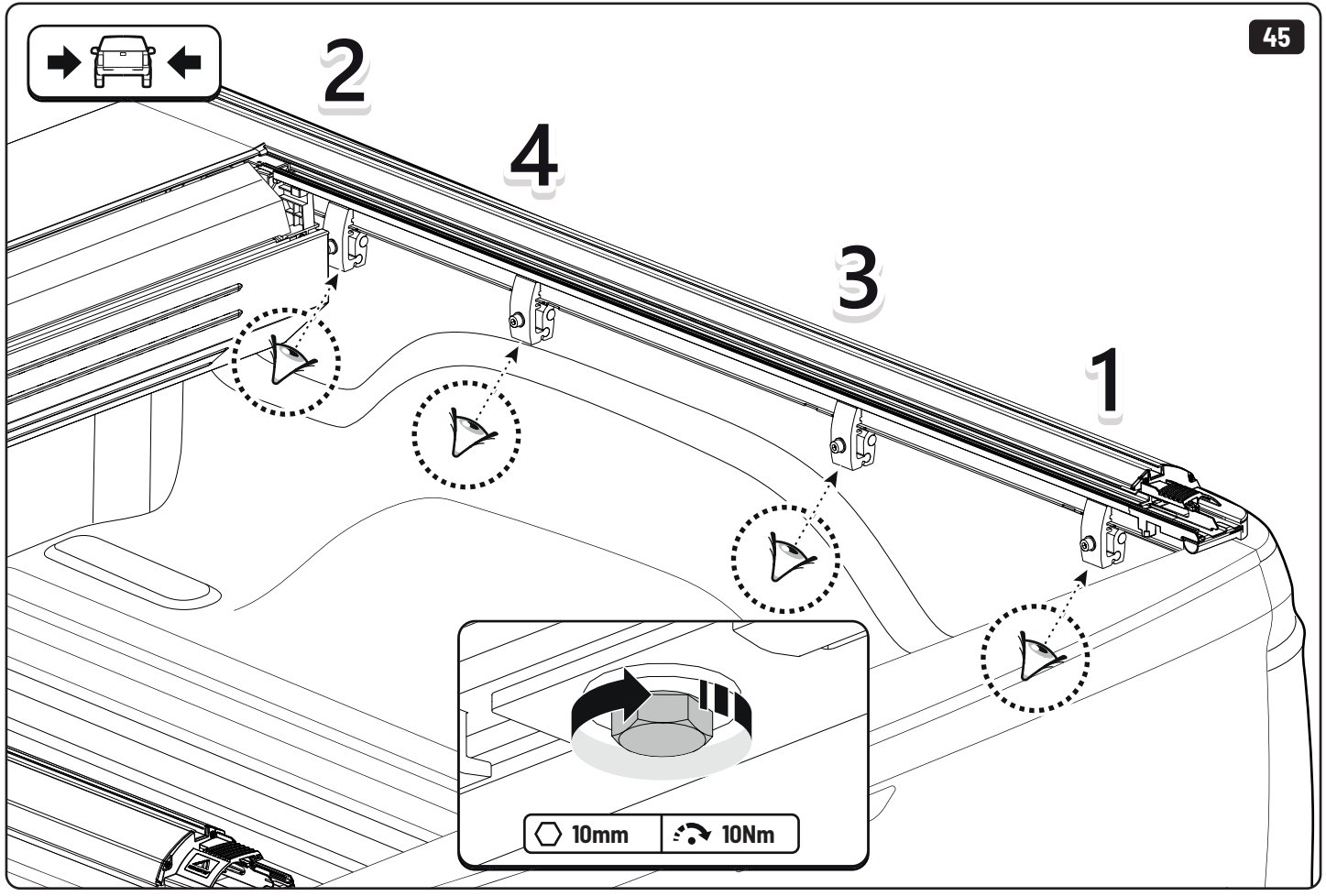
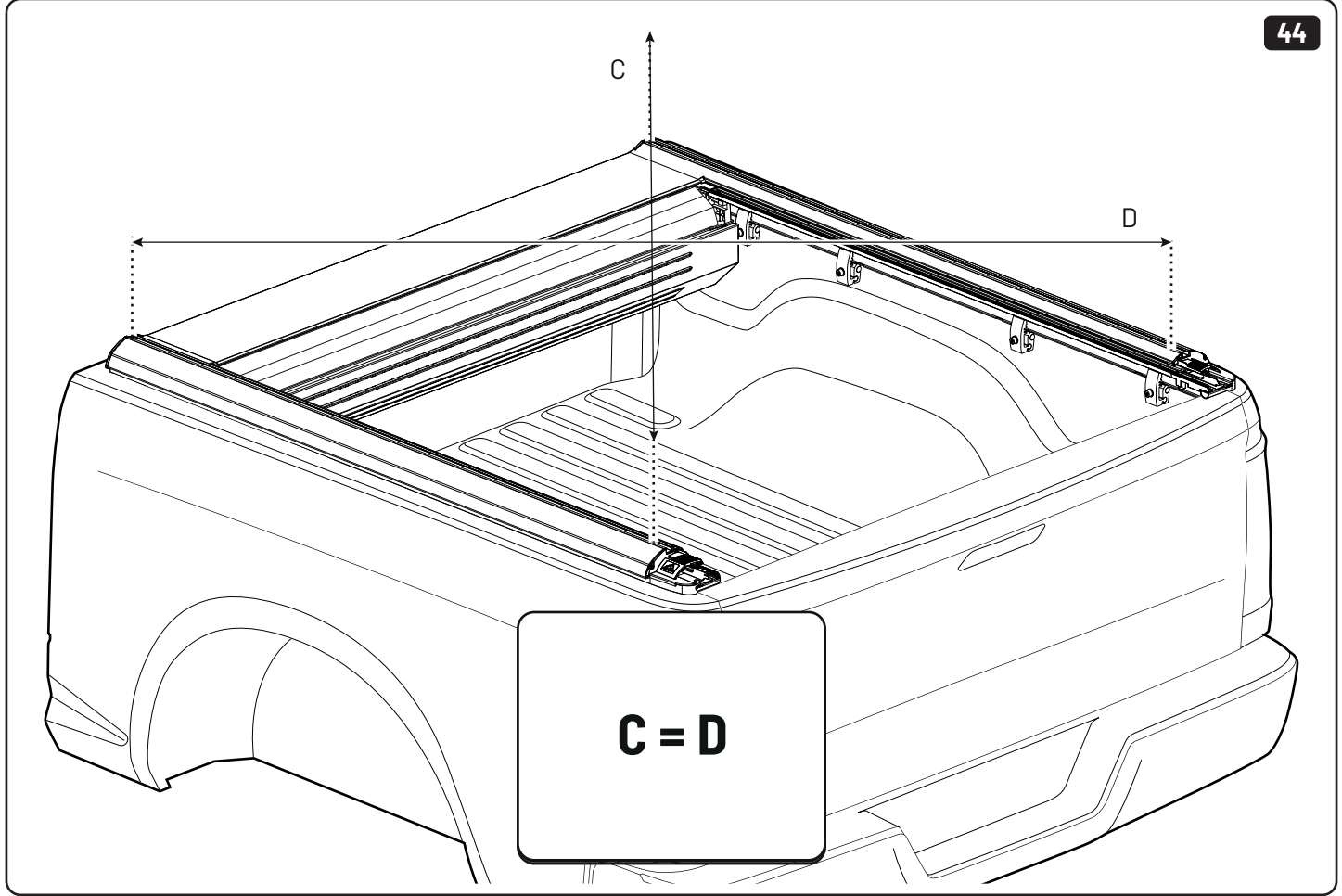


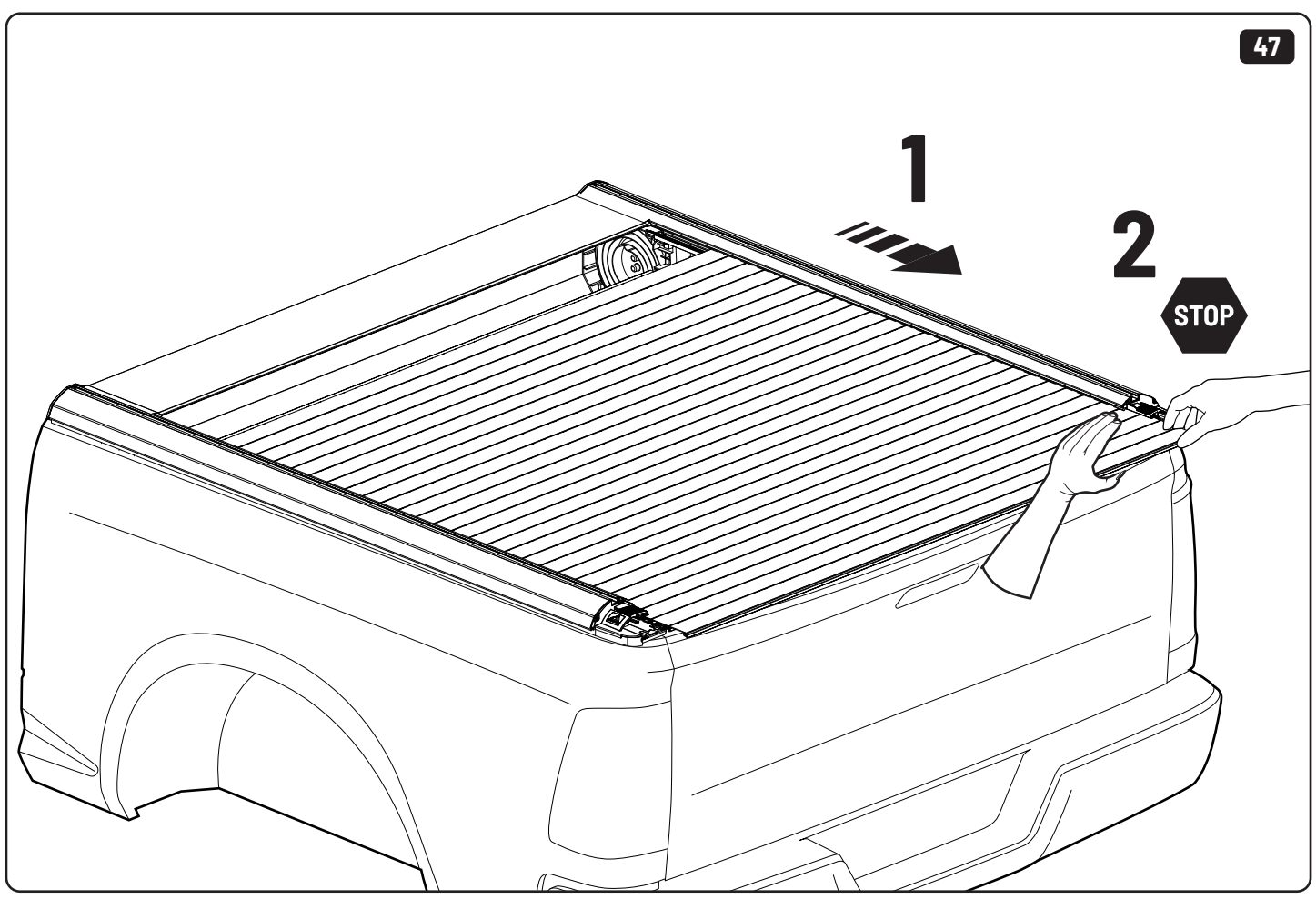
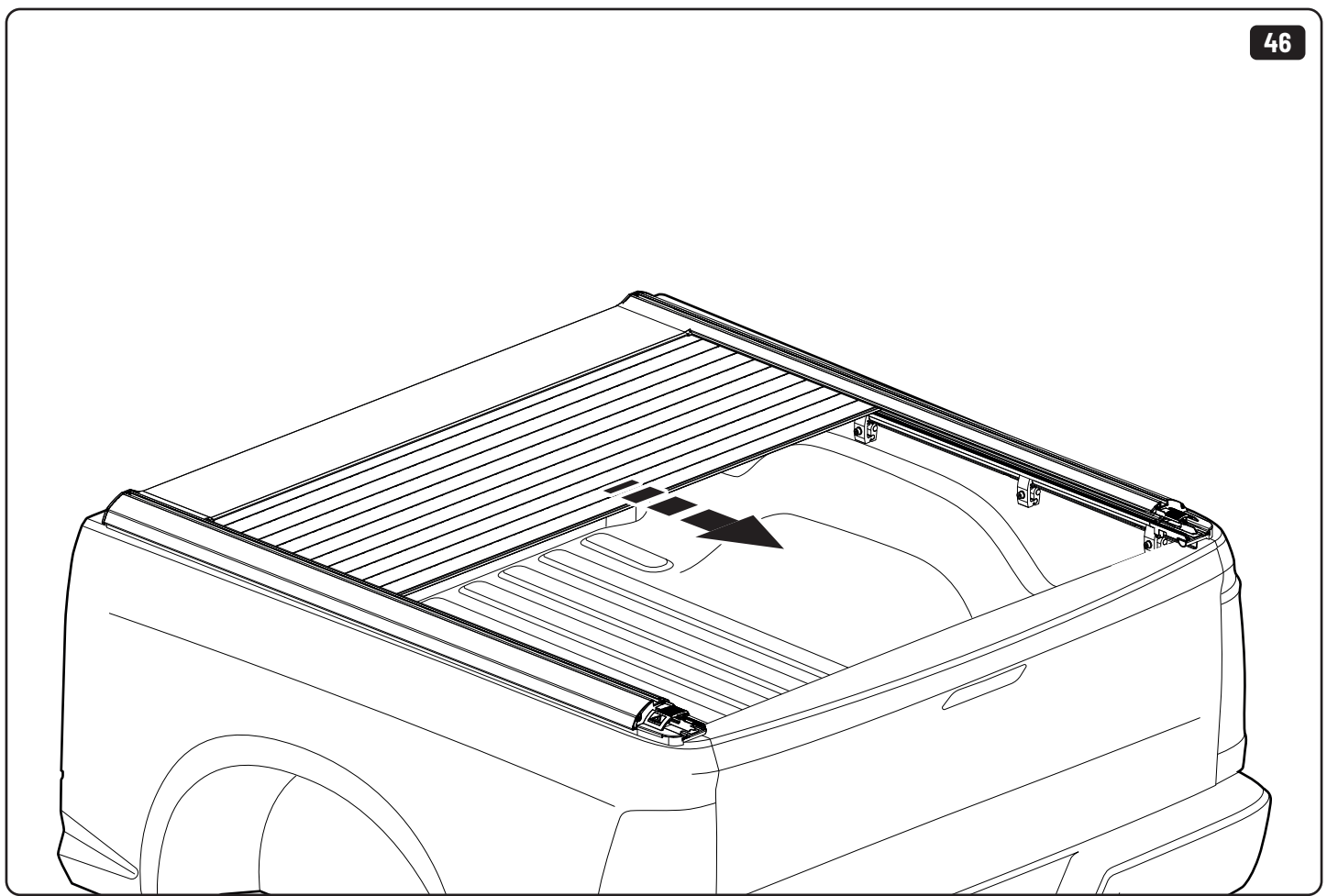


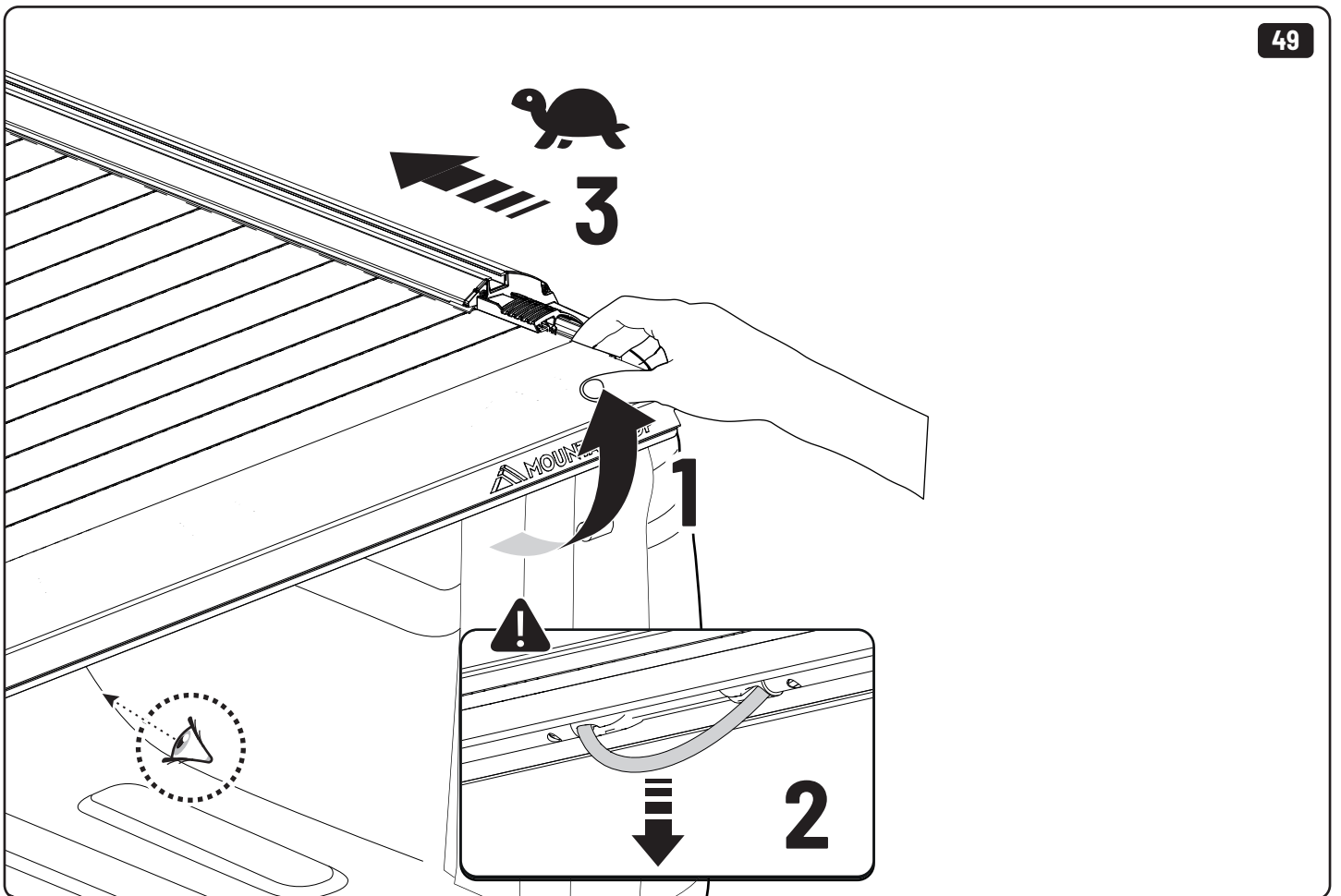
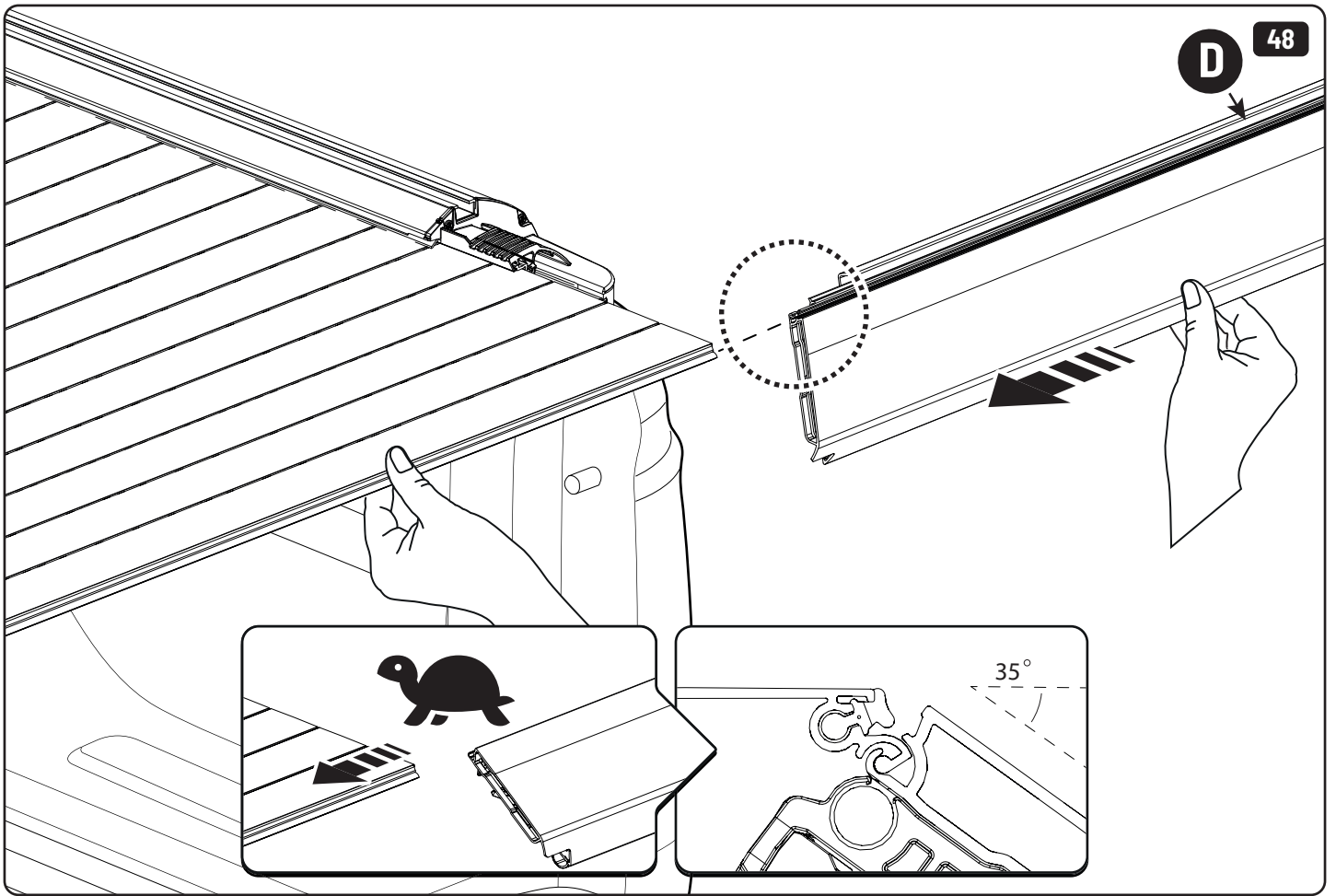


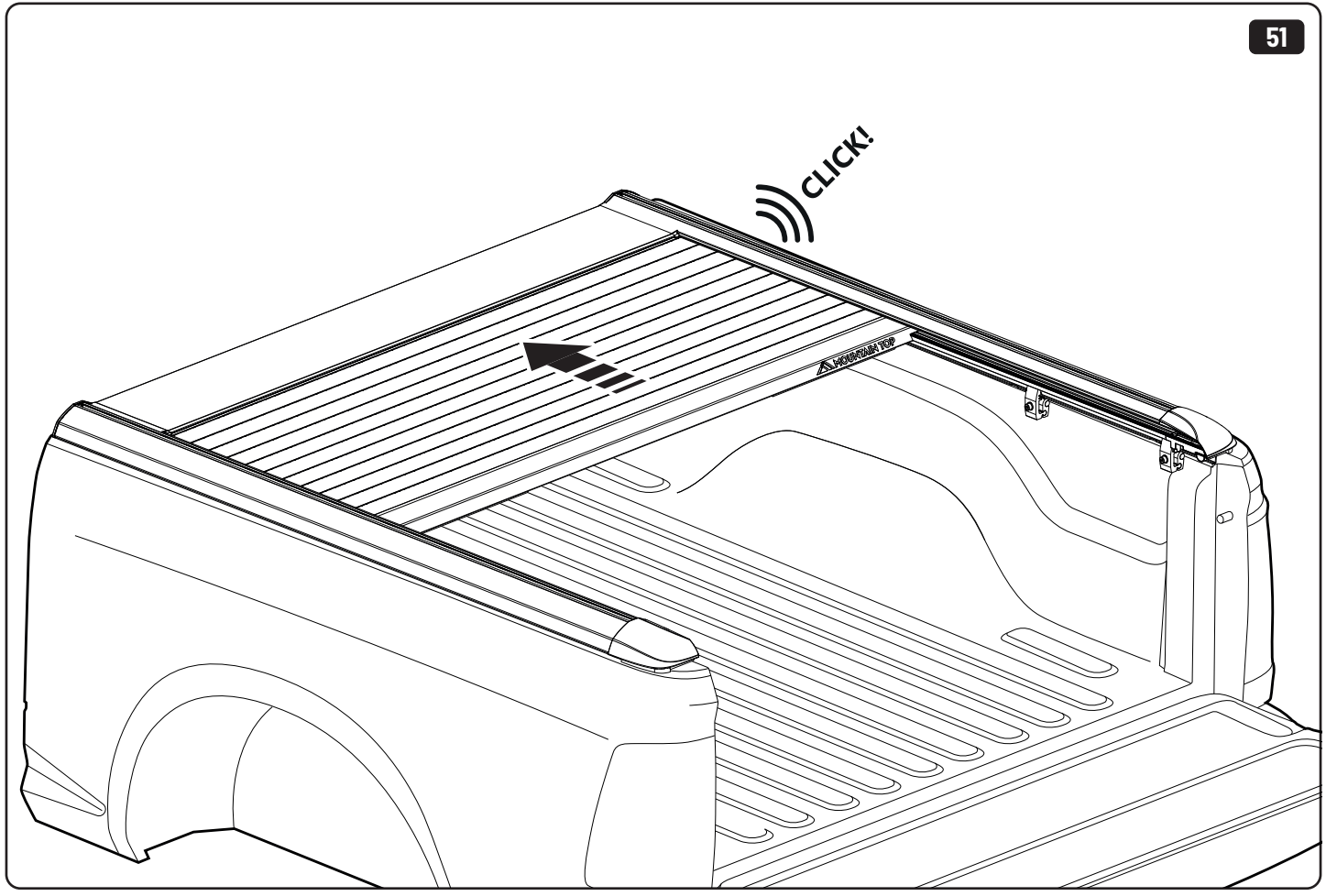
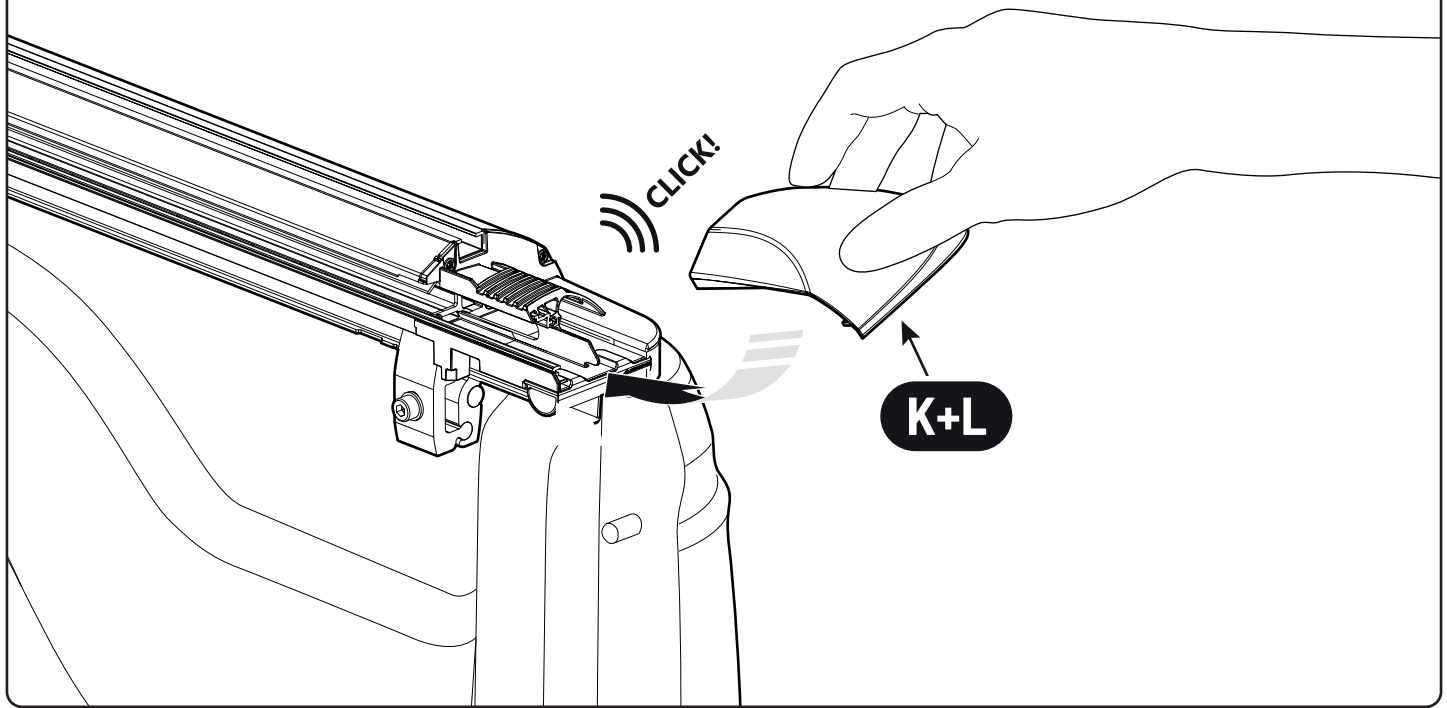
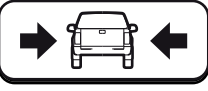


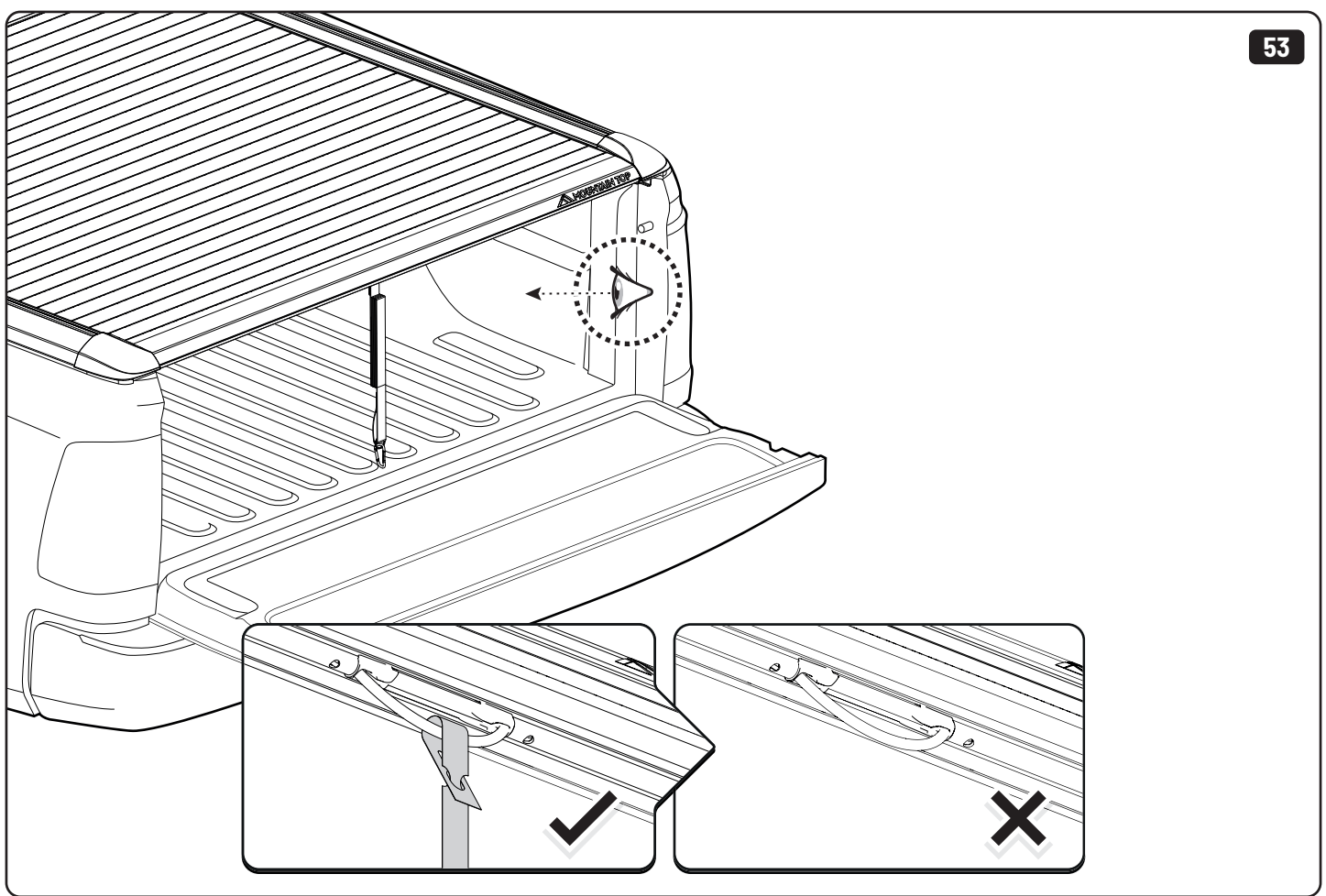
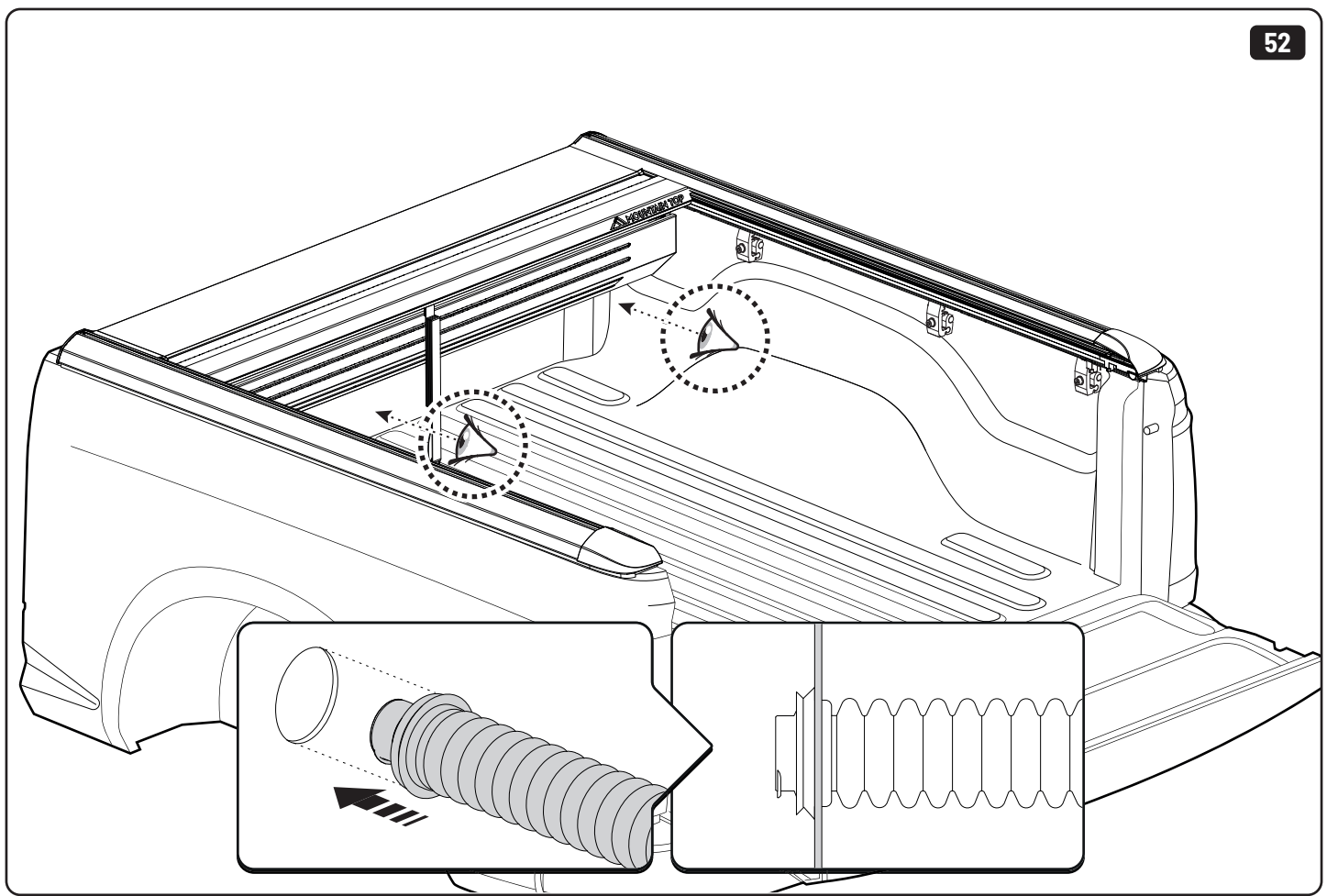














# EVOm Installation checklist



Type of Action	Date	Done
Holes for drain		
Mounting gliding rail in canister		
Placement of bracket		
With + Cross measurement		
Tightening the clamp screw		

Part number (s)	Model / Year	Cab type (s)	Installation time	Weight
Chevrolet silverado	Model / 2019 - TD	Cab type	1 hour (s)	XXX Kg
Ford F-150	Model / 2015 - TD	Cab type	1 hour (s)	XXX Kg
RAM 1500	Model / 2019 - TD	Cab type	1 hour (s)	XXX Kg
Toyota Tundra	Model / 2007 - TD	Cab type	1 hour (s)	XXX Kg