



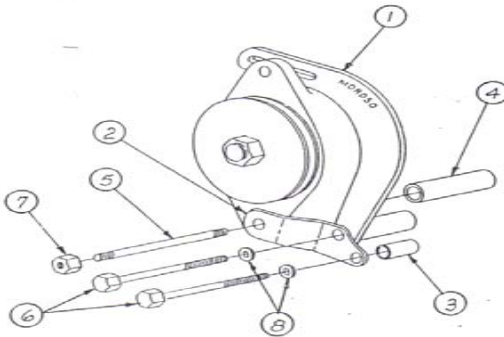
INSTRUCTIONS FOR P/N 63825

DRAG RACE ALTERNATOR BRACKET KIT FOR BBC

1. This kit is designed to mount any GM Delcotron Alternator on the right side of a Chevy or 90 V-6 Chevy with a short water pump.
2. This kit is for use with Moroso Alternator Pulley No. 64800, Water Pump Pulley No. 64900.
3. **IMPORTANT – If Moroso water pump and pulleys are not used, it may be necessary to change or modify hardware and spacers supplied with this kit to achieve proper V-belt alignment.**

The boss on back of alternator may have to be machined and corresponding spacer may have to be machined to get proper V-belt alignment depending on the type of cylinder heads.

4. It is recommended that Loctite is used on bolt threads.



PARTS LIST

- | | |
|--------------------------------|---------------------------|
| 1. Alternator Bracket – Top | 5. Alternator Stud |
| 2. Alternator Bracket – Bottom | 6. 3/8 – 16 x 4 Bolt |
| 3. Spacer 1 1/8 x 9/16 O.D. | 7. 3/8 x 24 ESNA Locknut |
| 4. Spacer 2 3/4 x 7/8 O.D. | 8. 3/8 – Med Split Washer |