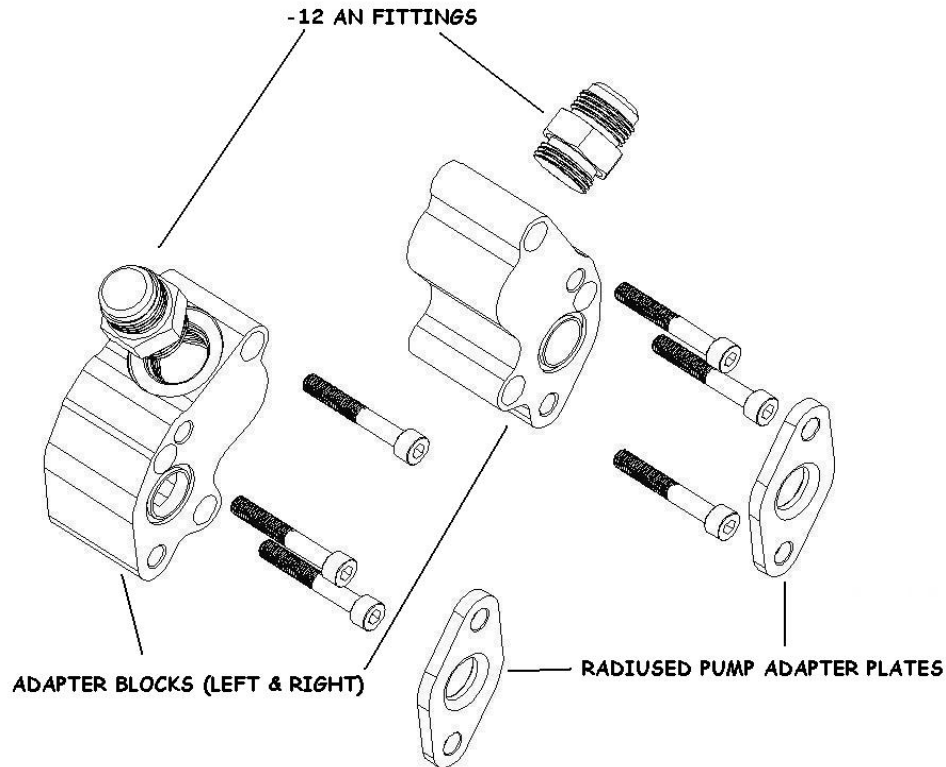




## 63615 LS-1 WATER PUMP ADAPTER KIT



### PARTS LIST

- |  |  |
|--|--|
| (1) LS-1 WATER PUMP ADAPTER, LEFT            | (1) LS-1 WATER PUMP ADAPTER, RIGHT     |
| (6) 8MM X 1.25 X 55MM SOCKET HEAD CAP SCREWS | (2) RADIUSED PUMP ADAPTER PLATES       |
| (2) -12 O-RINGS                              | (2) HIGH FLOW -12 AN FITTINGS          |
| (2) AS-568A-119 VITON O-RINGS                | (4) 3/8-16 STAINLESS SOCKET CAP SCREWS |

### ASSEMBLY

This kit will enable you to adapt a Big Block Chevy water pump to an LS series engine, eliminating the bulky factory pump for a custom installation. Fasten both adapter blocks to the engine using the six socket head cap screws and the factory water pump gasket. Place the two Viton O-Rings in the receiver groove located on the face of each block. Assemble the Big Block Chevy water pump to the blocks, placing the radiused pump adapter plates and gaskets in between. Make certain that the radius on the pump adapter plates faces the water pump. Tighten all bolts and check for leaks.