

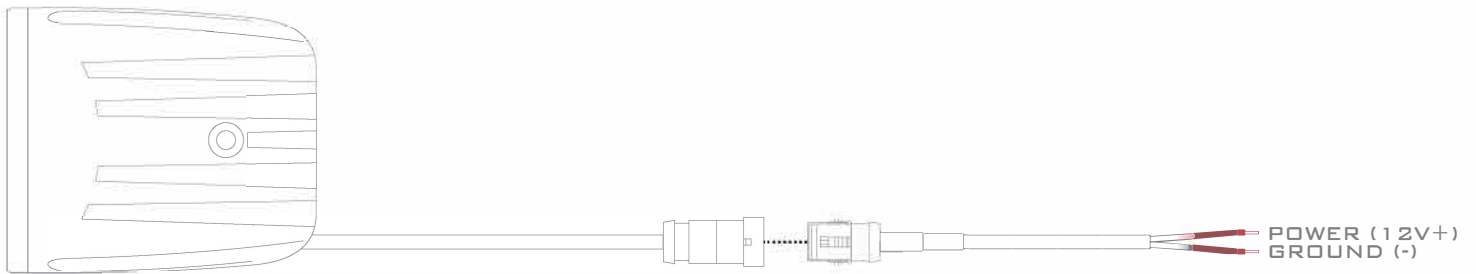
PART #:
XT20

4BANGER



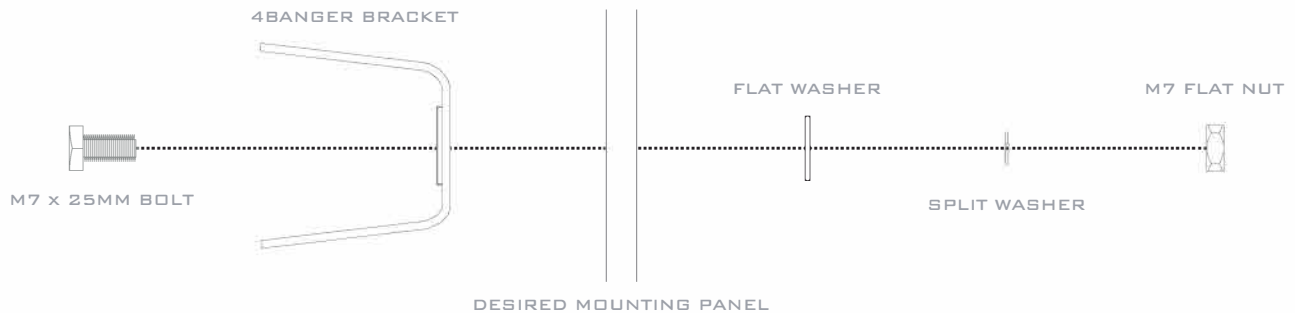
WARNING: By reading this document, I agree it is only to be used as an educational guide. Morimoto Lighting makes no guarantee on any finished results, nor are they to be held responsible for any damage, misuse, or personal injuries. Use at your own risk. If you are unable to clearly understand and adapt the information below to your own application, professional installation is recommended.

WIRING SCHEMATIC



HARDWARE INSTALL DIAGRAM

TO PANEL



TO 4BANGER

