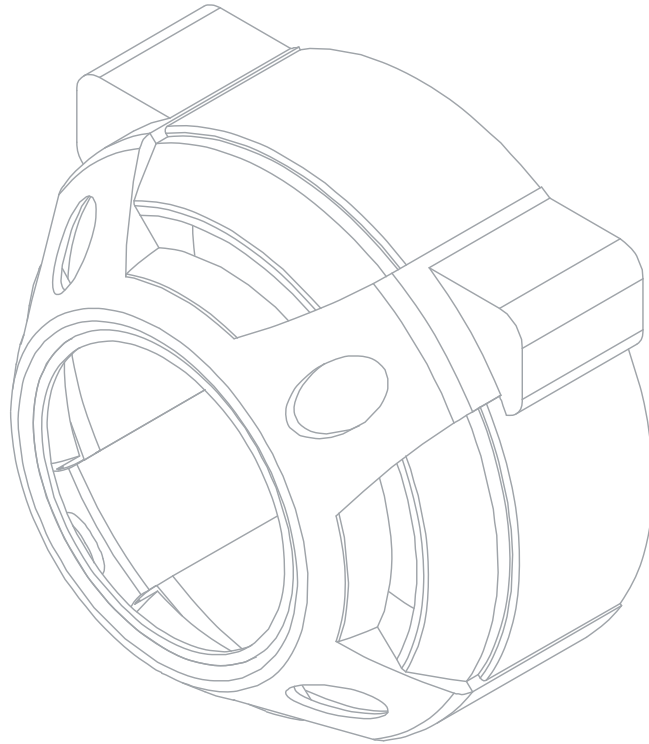


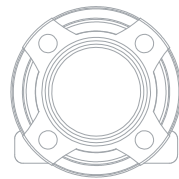


THE AUTOMOTIVE LIGHTING BENCHMARK



INSTALLATION GUIDE

PROJECTOR SHROUDS



1x





WARNING: By reading this document, I agree it is only to be used as an educational guide. Morimoto Lighting makes no guarantee on any finished results, nor are they to be held responsible for any damage, misuse, or personal injuries. Use at your own risk. If you are unable to clearly understand and adapt the information below to your own application, professional installation is recommended.



EPOXY IS RECOMMENDED
FOR ALL CONTACT POINTS



E-Z CUT

SCHEMATIC

