



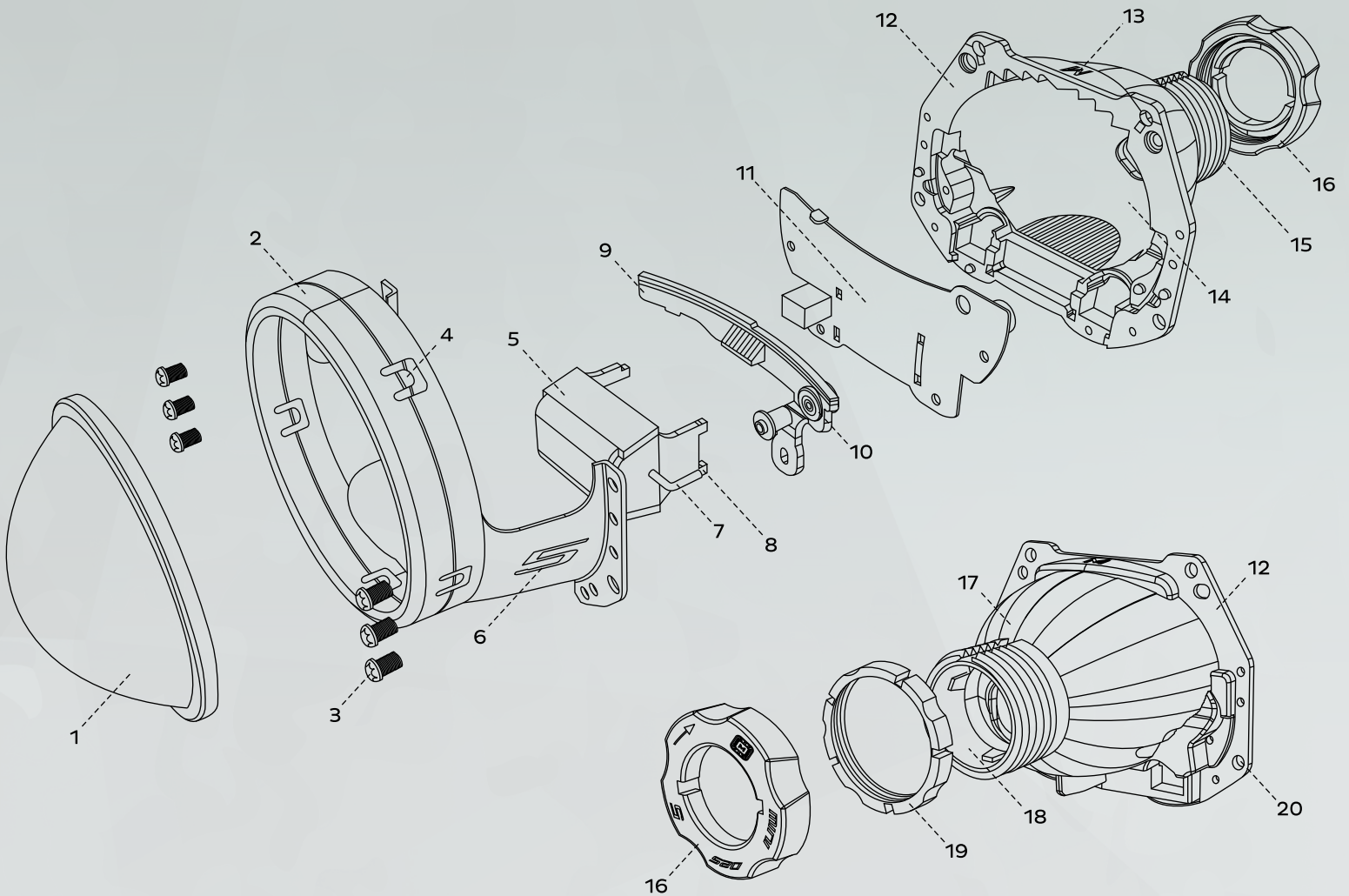
THE AUTOMOTIVE LIGHTING BENCHMARK

WARNING: By reading this document, you agree it is only to be used as an educational guide. Morimoto Lighting nor its dealers make guarantees on any finished results, nor are they to be held responsible for any damage, misuse, or personal injuries. If you are unable to clearly understand and adapt the information below, professional installation is recommended.

MINI D2S 5.0



PROFESSIONAL INSTALLATION RECOMMENDED

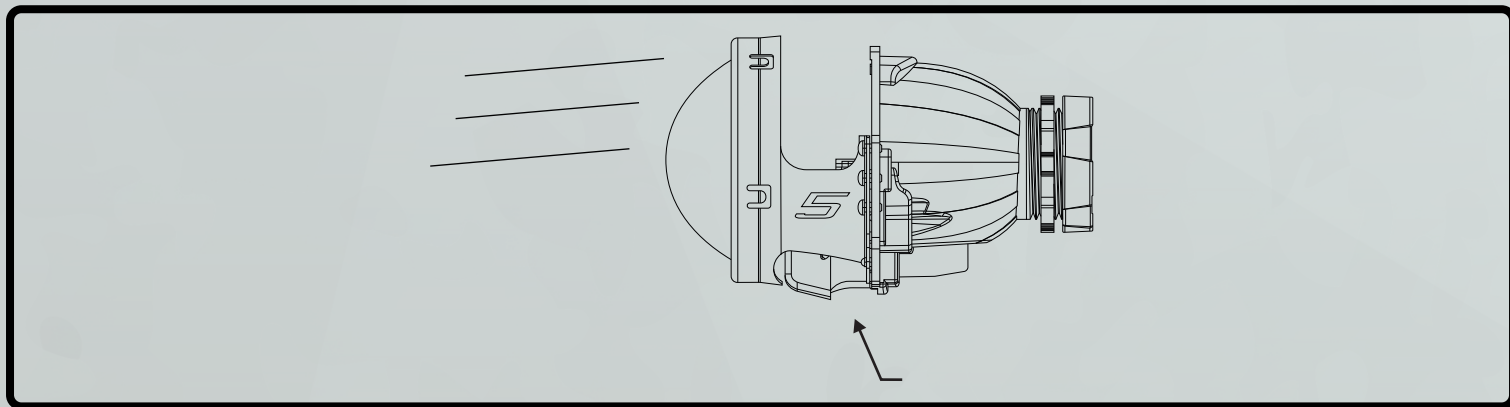


PARTS LIST

- | | | |
|---------------------------------|--|--|
| 1. KURIA® SAPPHIRE LENS | 8. SOLENOID MOUNTING FEET | 15. THREADED MOUNTING SHAFT |
| 2. STAMPED ALUMINUM LENS HOLDER | 9. DIE-CAST ECE CUTOFF SHIELD | 16. 1-PIECE MOTOHOLD2R |
| 3. M3 STAINLESS PAN HEAD SCREWS | 10. LOW FRICTION BRASS PIVOT POINT | 17. MORIMOTO SUN-INSPIRED HEAT SINKING |
| 4. LENS-RETAINING PRONGS | 11. SOLENOID / SHIELD PLATE | 18. INTERNALIZED BULB MOUNT RECEPTACLE |
| 5. MAGNETIC SIDE-PULL SOLENOID | 12. OPTICAL REFLECTOR BOWL | 19. THREADED CNC LOCK RING |
| 6. STAMPED "5" INSIGNIA | 13. LASER-ENGRAVED MORIMOTO LOGO | 20. D2S 4.0 STANDARD BOLT PATTERN |
| 7. SOLENOID PLUNGER ARM | 14. SILVER METALIZED SURFACE TREATMENT | |

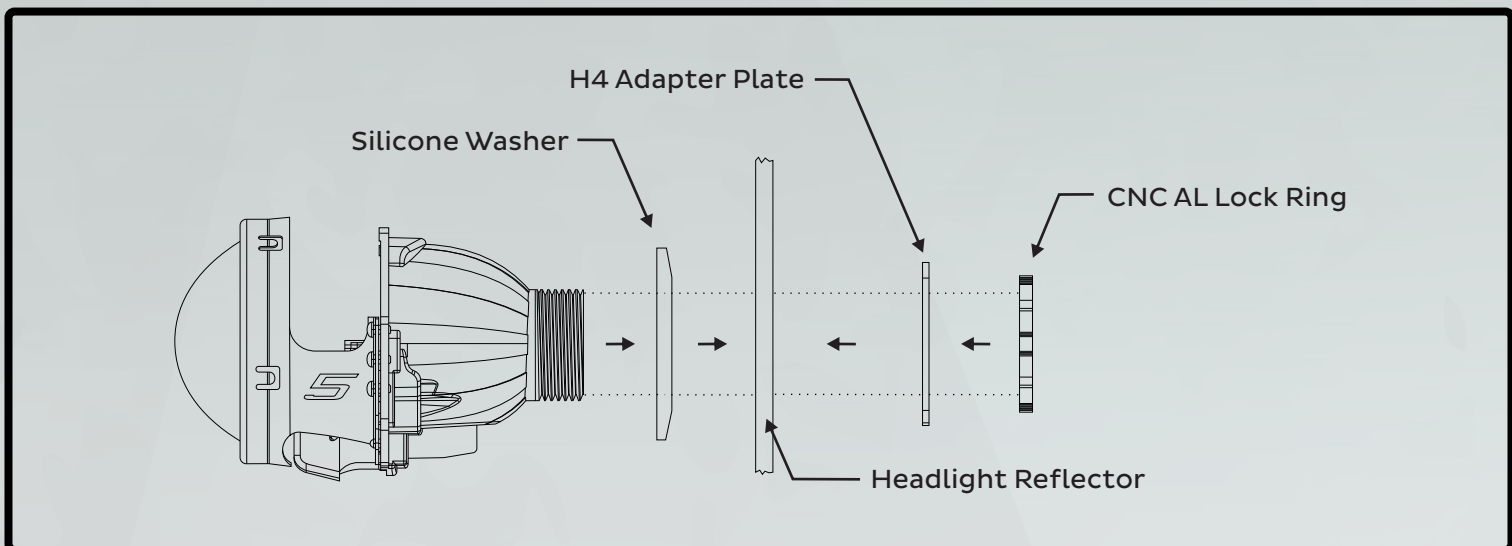
SPECIAL INSTALLATION NOTE

Mount projector rotationally level with the solenoid and cutoff shield on the bottom for proper light output.



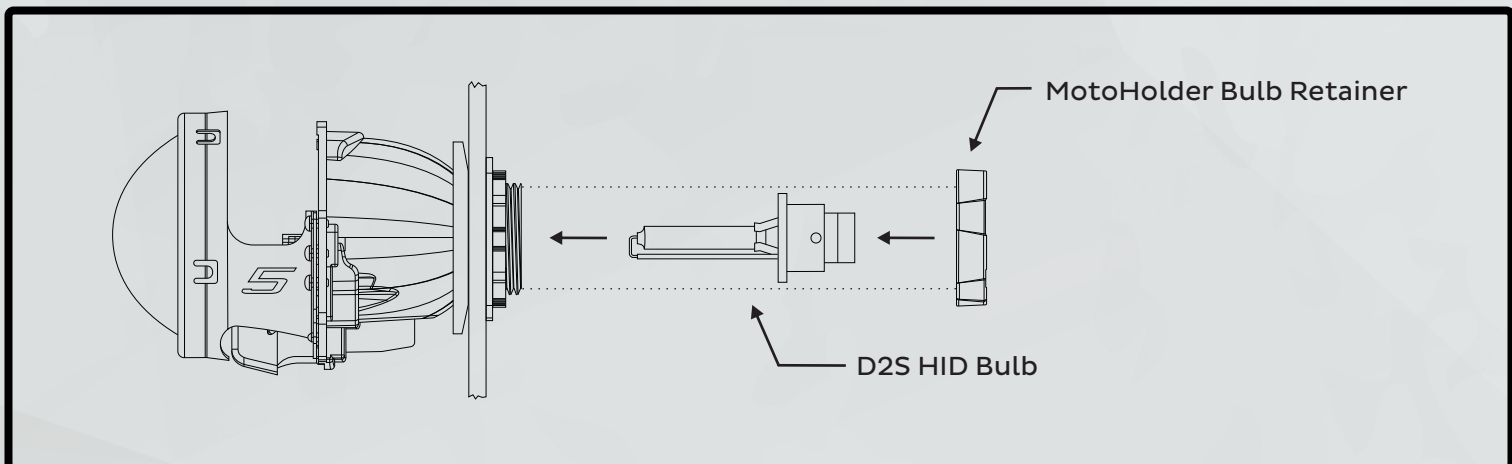
HARDWARE SCHEMATIC

Tighten CNC AL Lock Ring until snug. An Optional Lock Ring Tool is available as well.



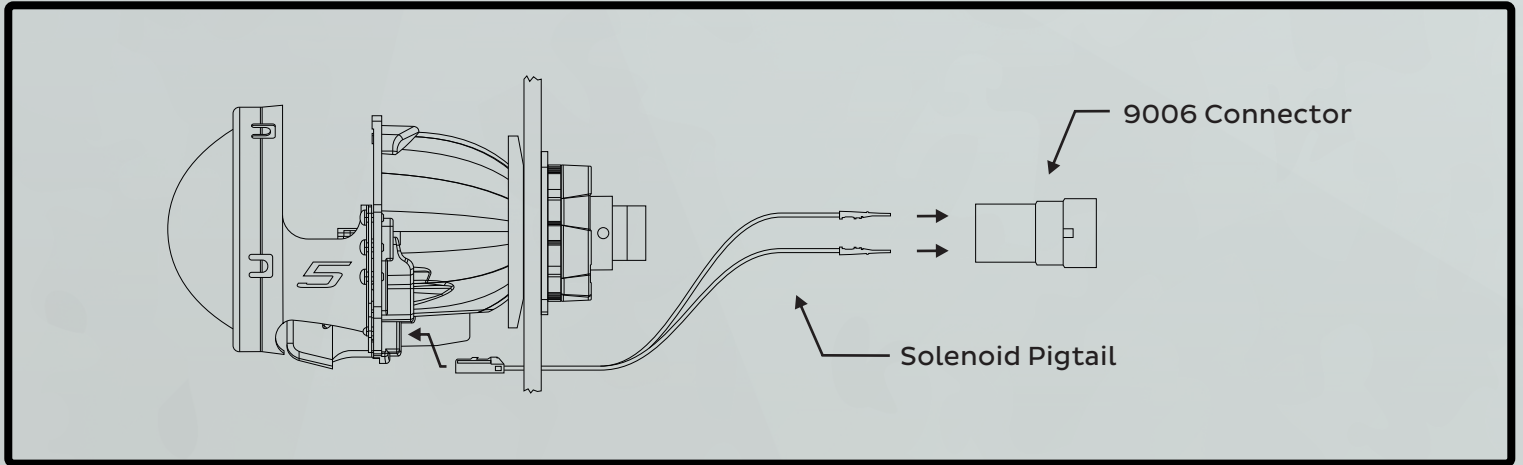
BULB INSTALLATION SCHEMATIC

Line up slots MotoHolder to clear the two bulb tabs, then slide on and tighten until snug.



BULB INSTALLATION SCHEMATIC

Line up slots MotoHolder to clear the two bulb tabs, then slide on and tighten until snug.



-END-