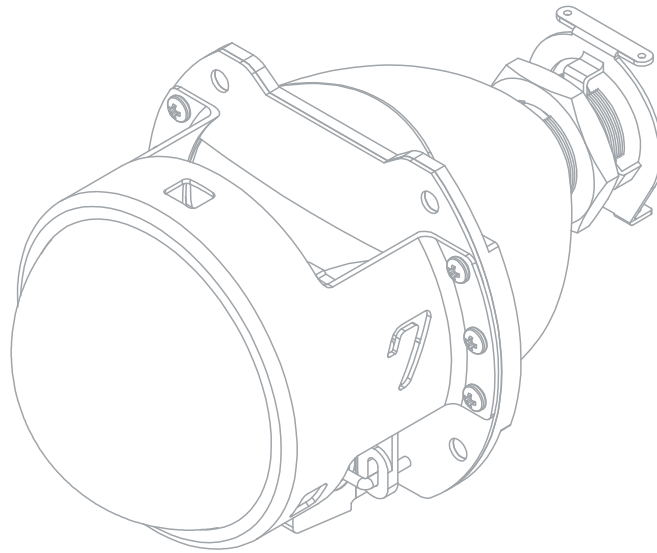




THE AUTOMOTIVE LIGHTING BENCHMARK



PART #:
50325
50326

MINI H1 7.0



WARNING: By reading this document, I agree it is only to be used as an educational guide. Morimoto Lighting makes no guarantee on any finished results, nor are they to be held responsible for any damage, misuse, or personal injuries. Use at your own risk. If you are unable to clearly understand and adapt the information below to your own application, professional installation is recommended.



PROFESSIONAL INSTALLATION RECOMMENDED

HARDWARE CONTENTS



1x H4 Silicone Grommet



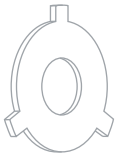
1x Bulb Retaining Clip



1x H7 Silicone Grommet



1x Hex Lock Nut



1x H4 Adapter Plate



1x Three-Prong Bulb Holder



1x H7 Adapter Plate



3x Bulb Holder Screws



4x Mini Gatling Gun Screws

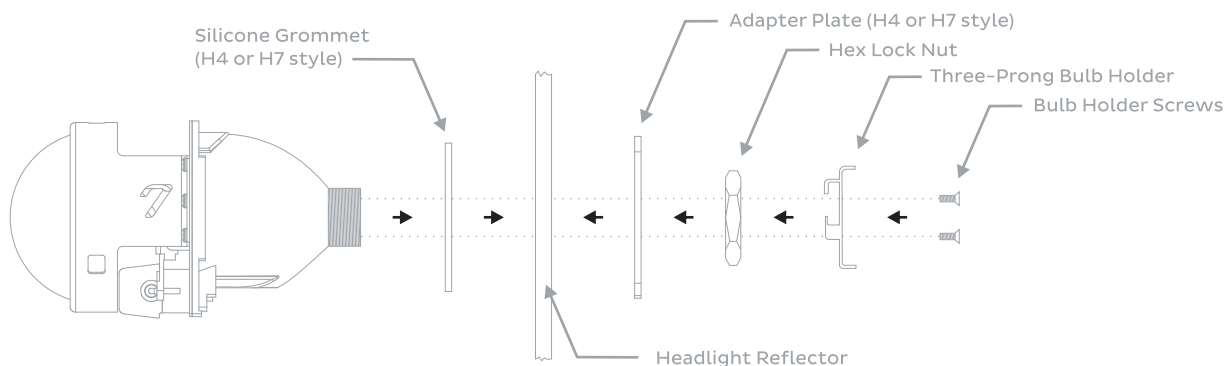


2x 9006 Socket Grommets

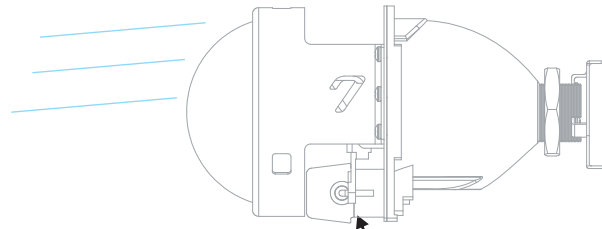


1x 9006 Male Connector

HARDWARE SCHEMATIC

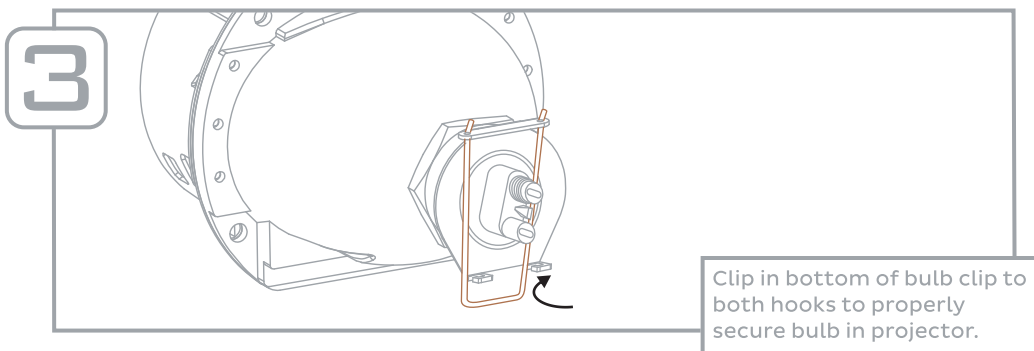
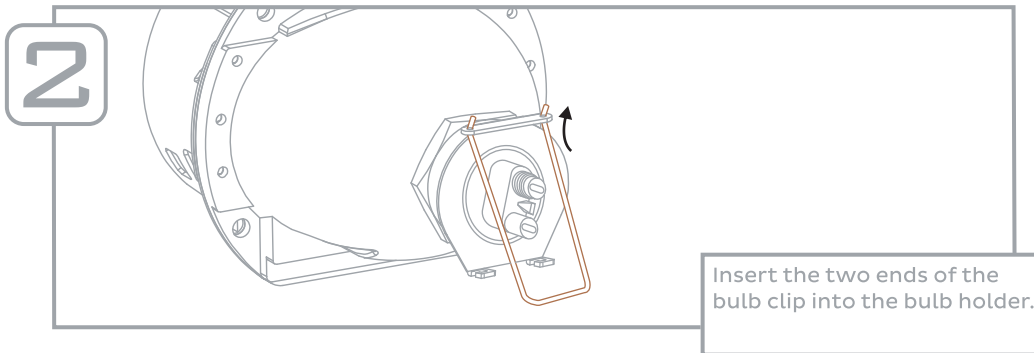
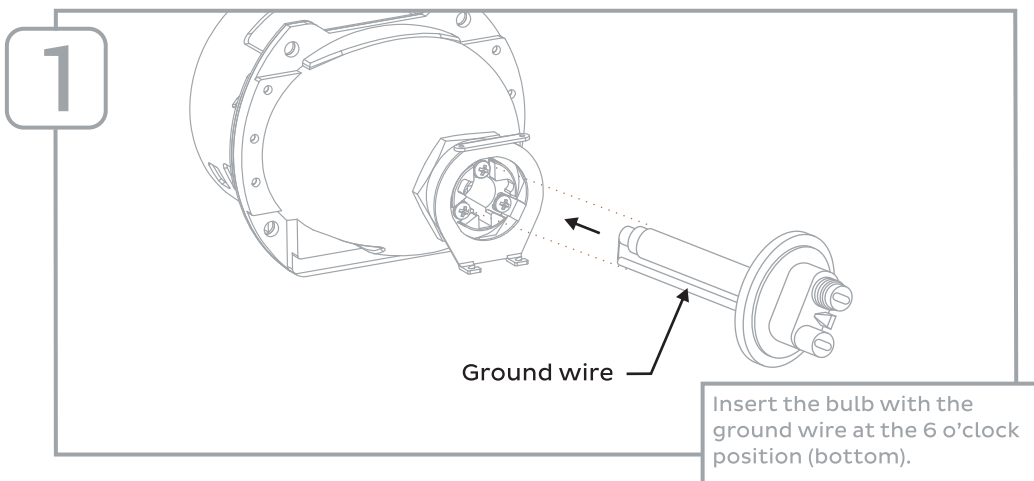


SPECIAL INSTALLATION NOTE

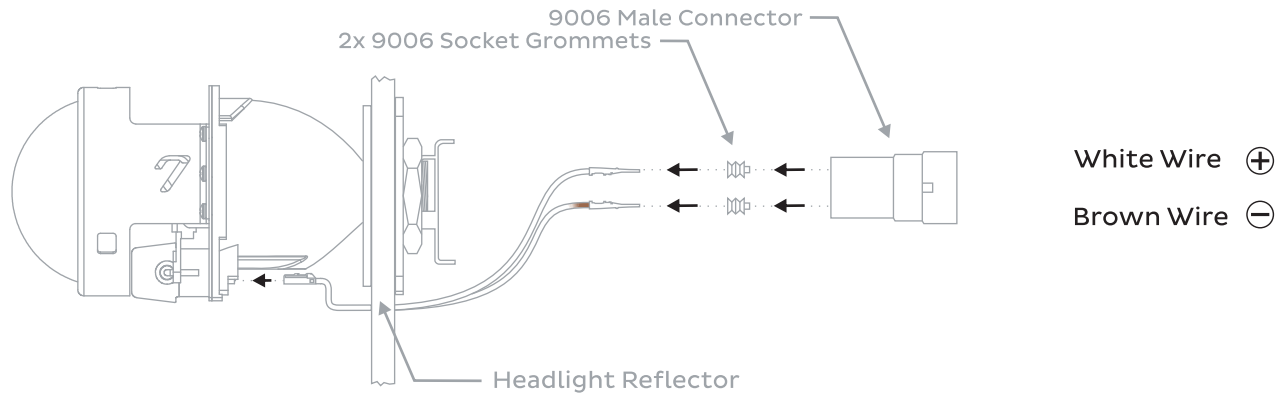


Mount projector rotationally level and with the solenoid and light cutoff shield on the bottom for proper light output

BULB INSTALL SCHEMATIC



SOLENOID WIRING SCHEMATIC



-END-