

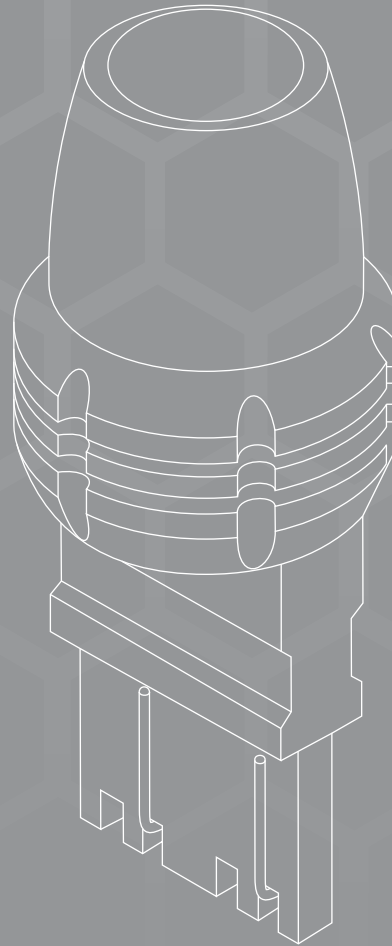


**THE RETROFIT SOURCE**

*The Best Brands in Automotive Lighting*

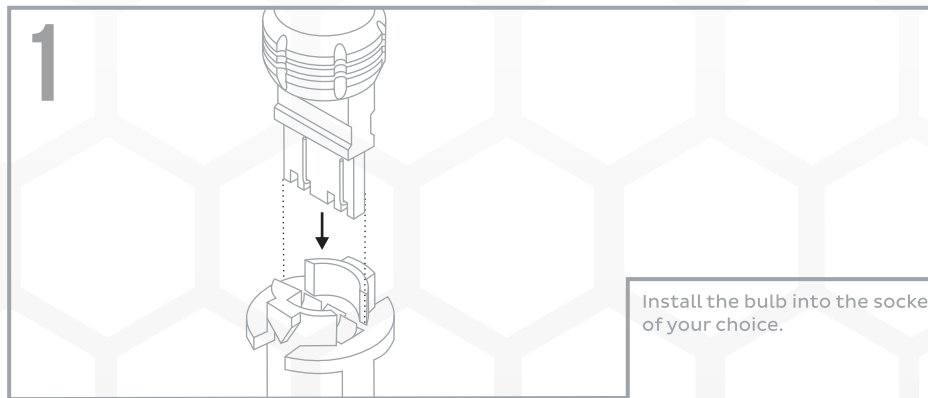
# INSTALLATION GUIDE:

## SIGNAL / MARKER LED BULBS

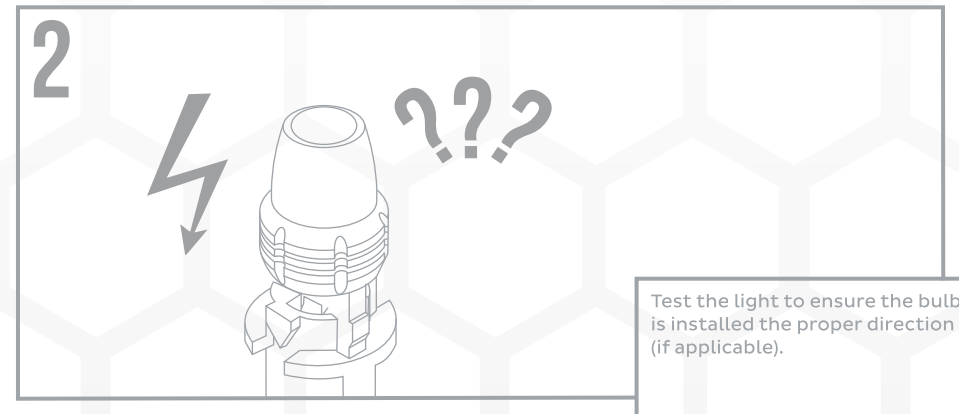




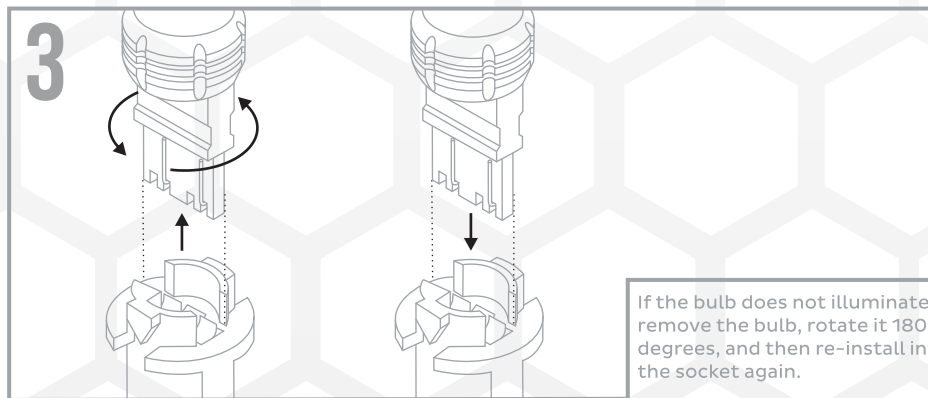
**WARNING:** By reading this document, I agree it is only to be used as an educational guide. The Retrofit Source makes no guarantee on any finished results, nor are they to be held responsible for any damage, misuse, or personal injuries. Use at your own risk. If you are unable to clearly understand and adapt the information below to your own application, professional installation is recommended.



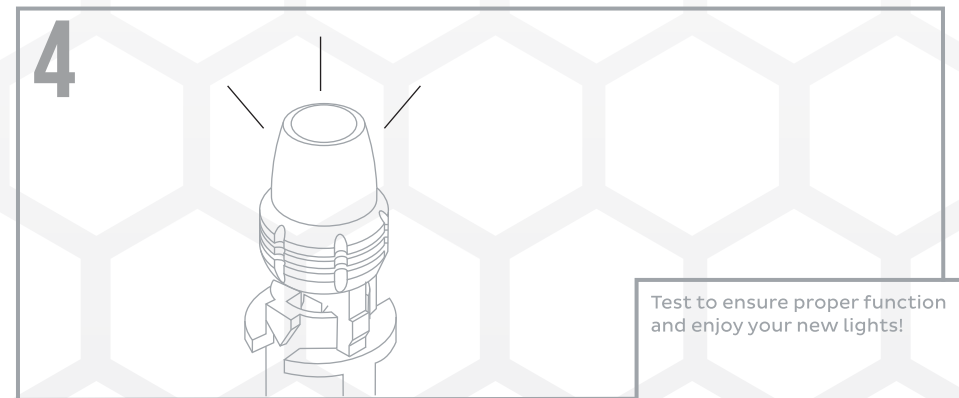
1  
Install the bulb into the socket of your choice.



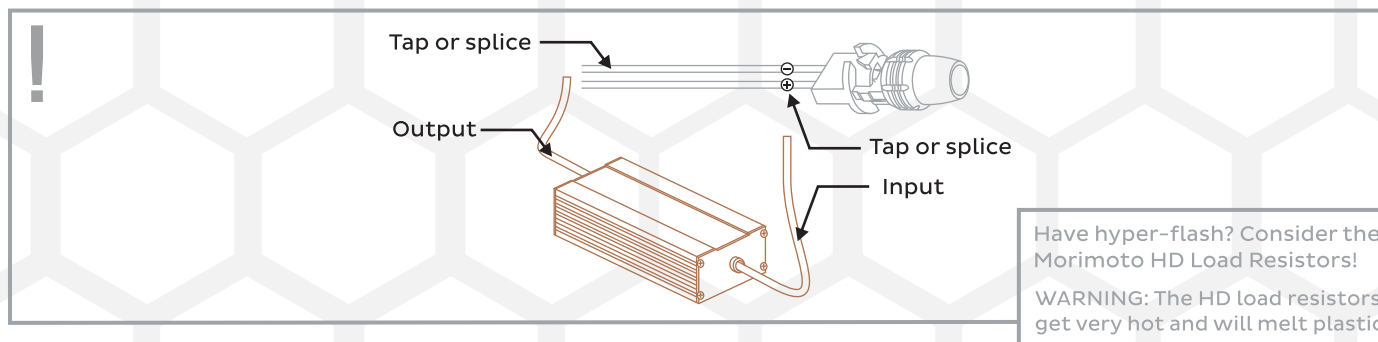
2  
Test the light to ensure the bulb is installed the proper direction (if applicable).



3  
If the bulb does not illuminate, remove the bulb, rotate it 180-degrees, and then re-install into the socket again.



4  
Test to ensure proper function and enjoy your new lights!



! Have hyper-flash? Consider the Morimoto HD Load Resistors!  
WARNING: The HD load resistors get very hot and will melt plastics.

Looking for dependable automotive led lights? Rely on Morimoto for quality and long-lasting products.