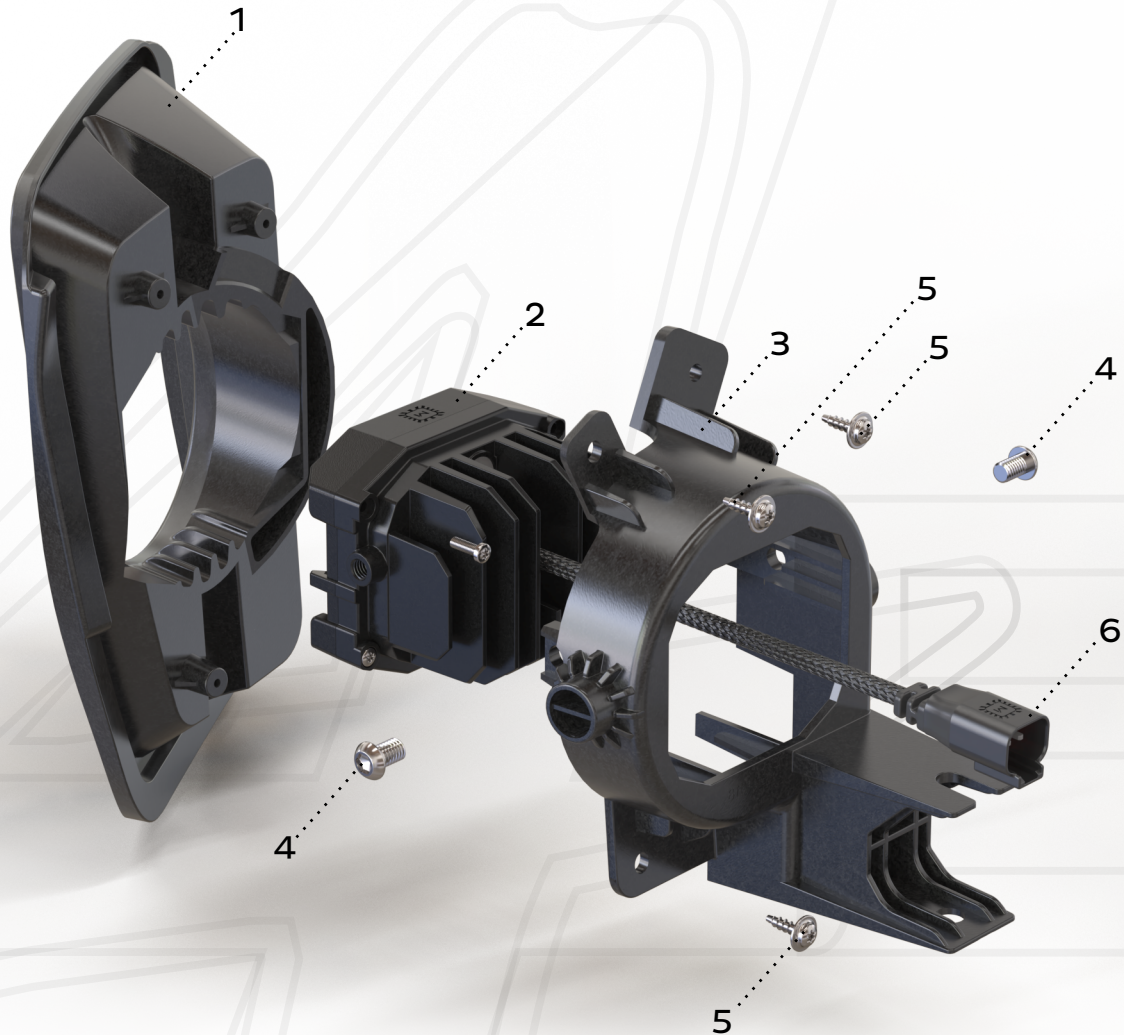




Type Ram Vertical Fog Light Bracket Assembly

Designed as a direct replacement for your original fog lights. For SAE compliance and minimal glare to oncoming traffic, we recommend using the NCS Wide Beam with a -3 Degree aim.



1. Type RV Shroud
2. 4Banger Light Pod
3. Type RV Mount
4. M6-1 x 8mm Stainless Steel Button Head Screw
5. Stainless Steel Thread Forming Screw
6. Deutsch DT Input (Use DT to 5202 Adapter [Not Shown])