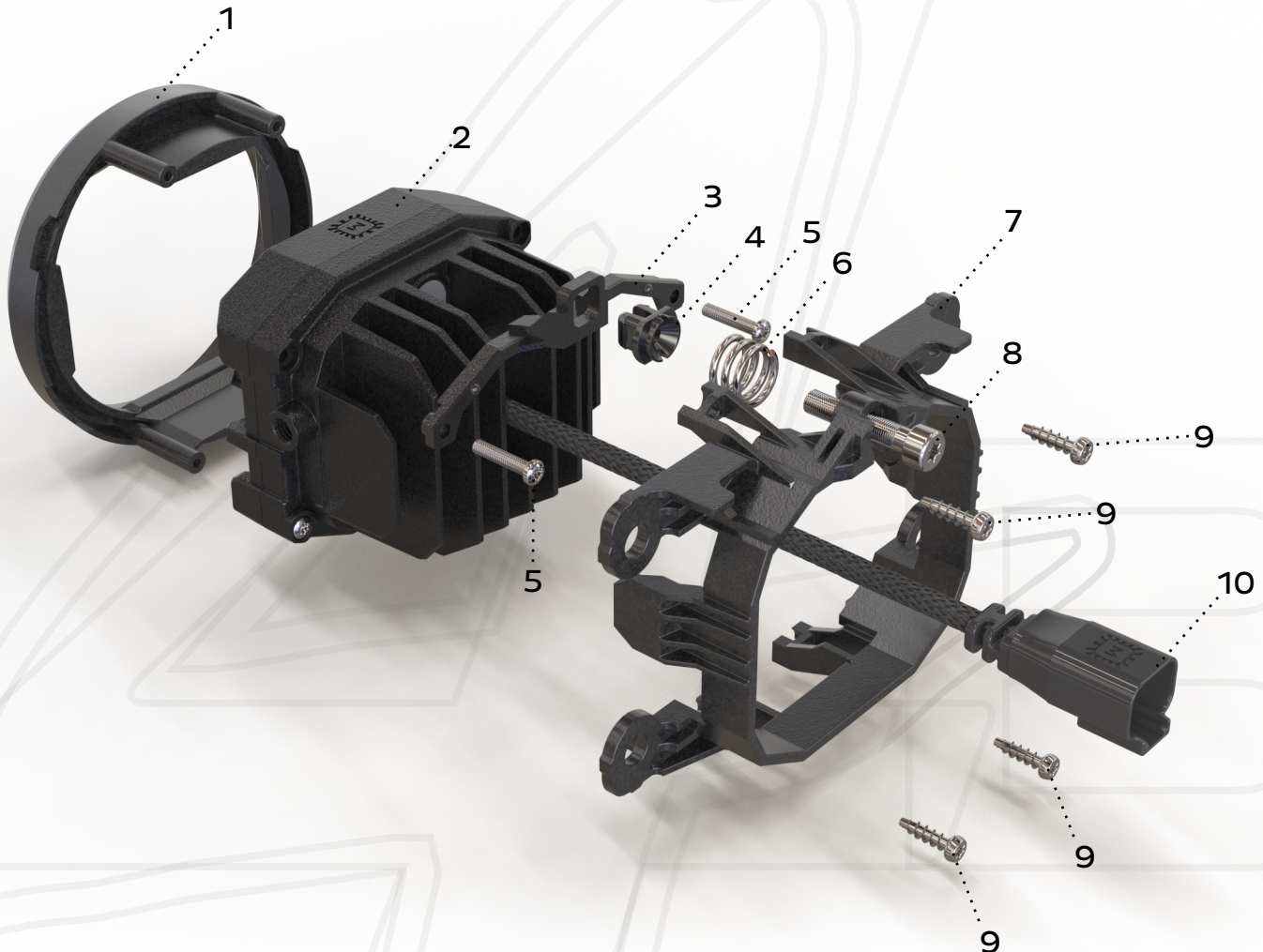




Type S Fog Light Bracket Assembly

Designed as a direct replacement for your original fog lights. For SAE compliance and minimal glare to oncoming traffic, we recommend using the NCS Wide Beam with a -3 Degree aim.



1. Type M Shroud
2. 4Banger Light Pod
3. Type S Adjuster
4. Threaded Square Adjuster Nut
5. M3 x 16mm Stainless Steel Button Head Screw
6. Adjuster Spring
7. Type S Bracket
8. M5 x 25mm Stainless Steel Socket Head Screw
9. M3 x 12mm Self-Tapping Stainless Steel Screw
10. Deutsch DT Input (Use DT to H11 Adapter [Not Shown])

Learn more about fog lights on our website.