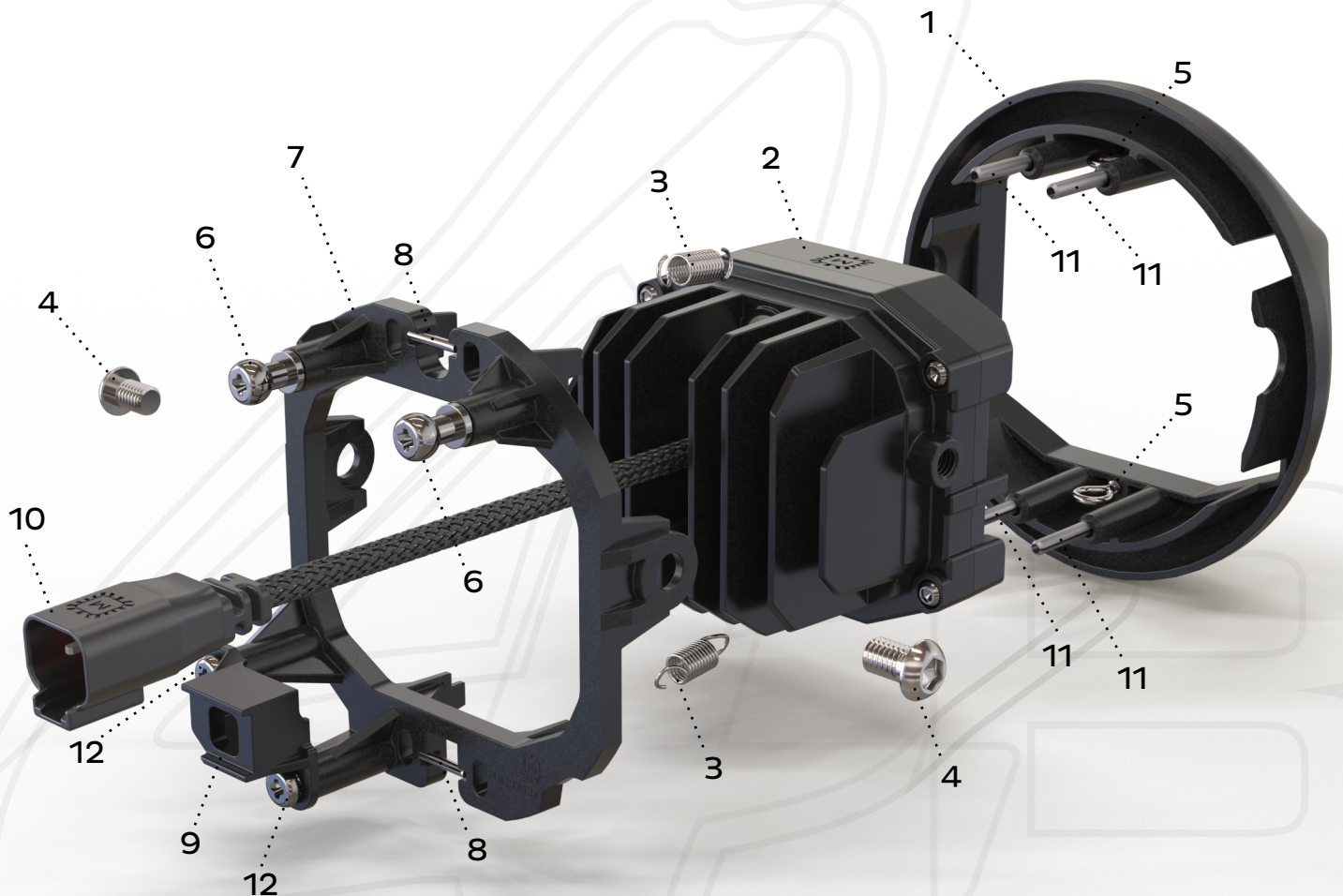




Type GM Fog Light Bracket Assembly

Designed as a direct replacement for your original fog lights. For SAE compliance and minimal glare to oncoming traffic, we recommend using the NCS Wide Beam with a -3 Degree aim.



1. Type GM Fitted Shield
2. 4Banger Light Pod
3. Extension Spring
4. M6-1 x 8mm Stainless Steel Button Head Torx Screw
5. Stainless Steel Thread Forming Eye Hook
6. Stainless Steel Thread Forming Ball Adjuster
7. Type GM Mounting Bracket
8. 2mm x 12mm Stainless Steel Dowel Pin
9. Adjuster Mount
10. Deutsch DT Input (Use DT to 5202 Adapter [Not Shown])
11. 3mm x 26mm Stainless Steel Slotted Spring Pin
12. M5 x 12mm Stainless Steel Thread Forming Screw

Discover other off-road lights on our website.