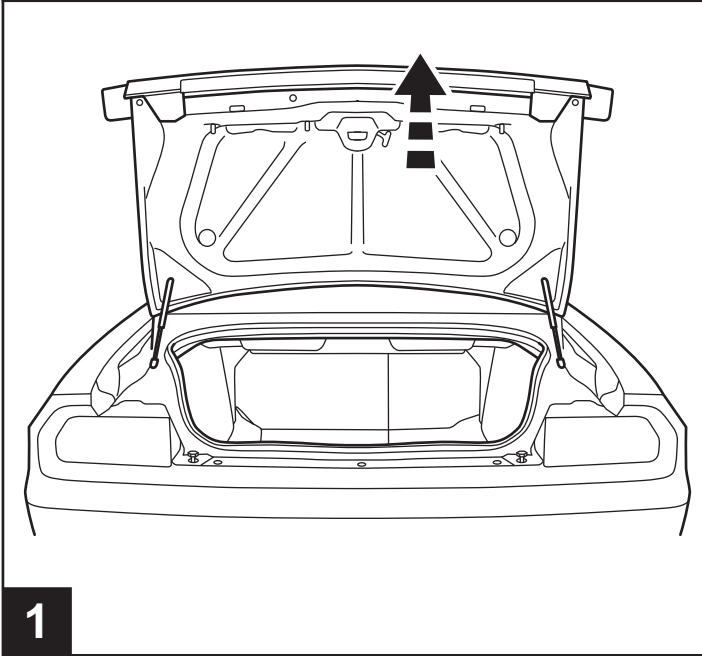
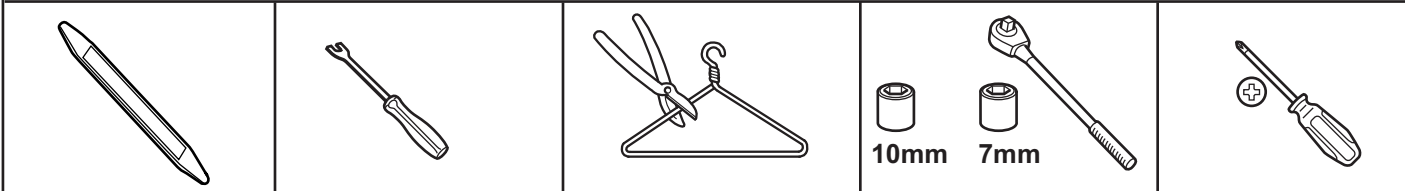
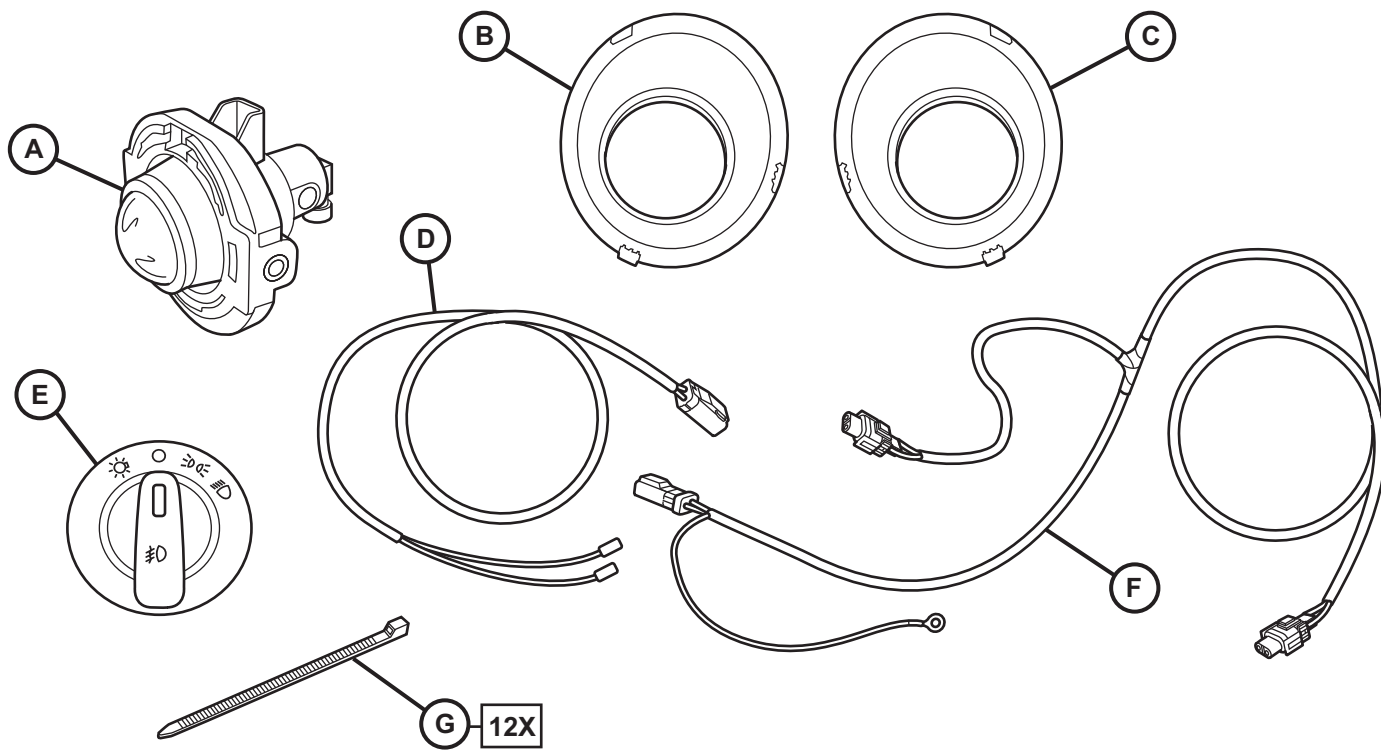
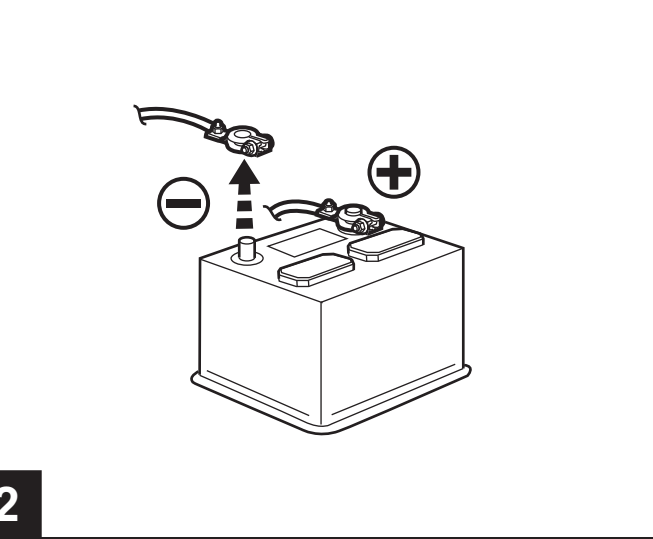


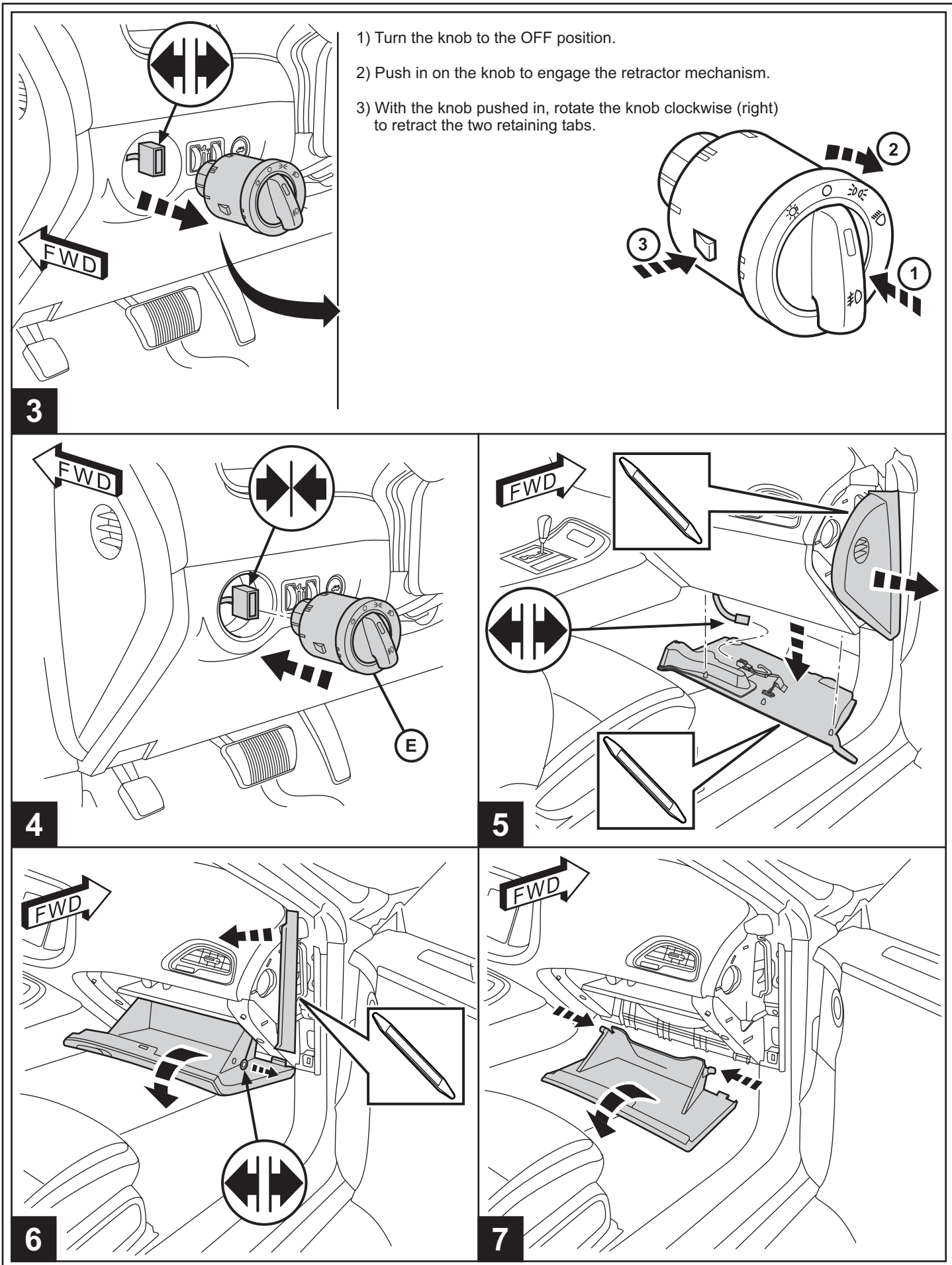


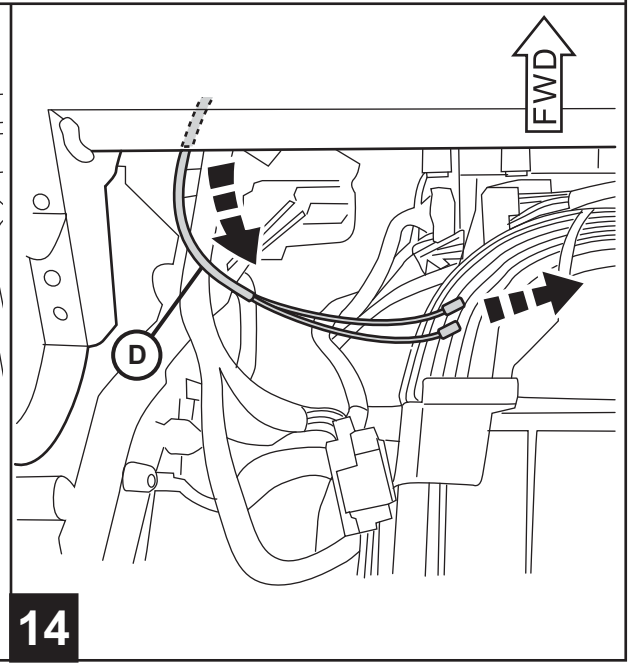
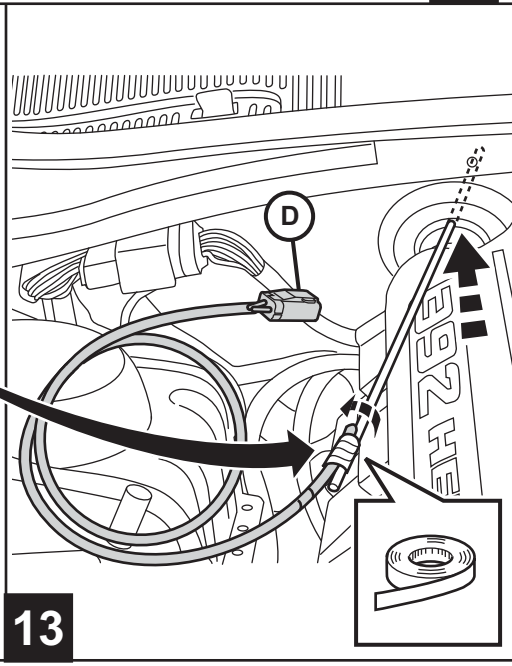
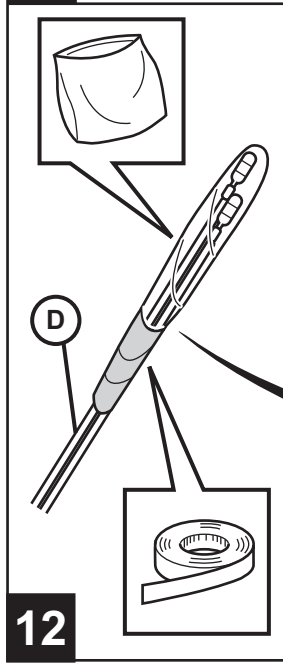
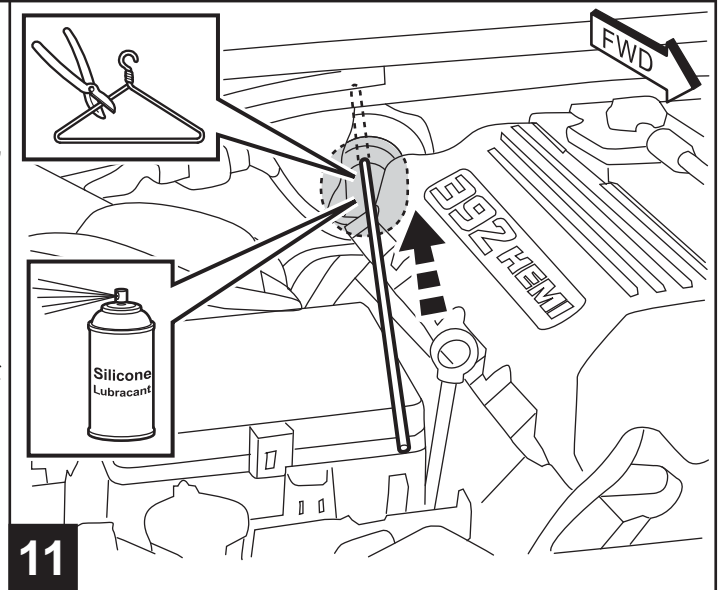
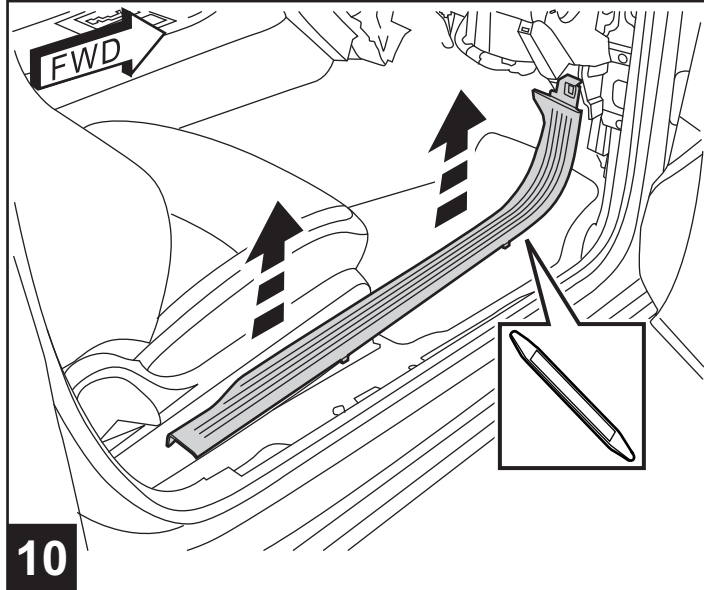
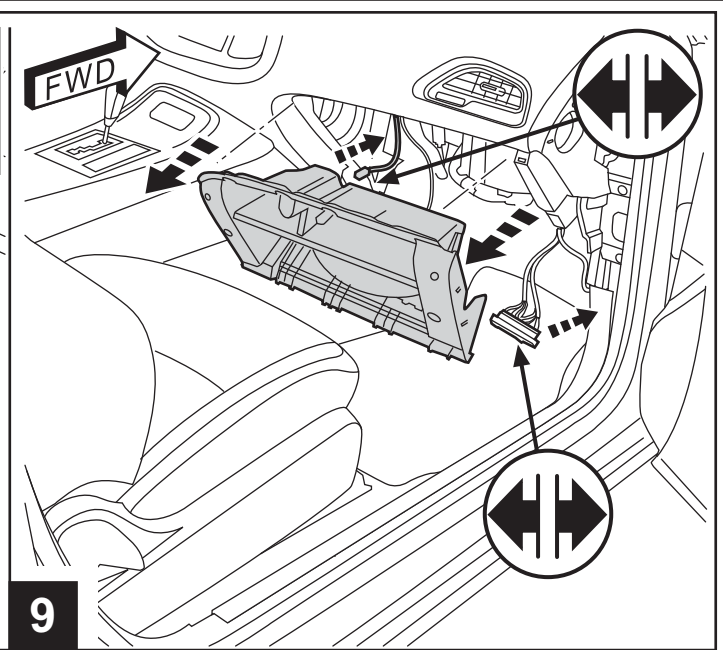
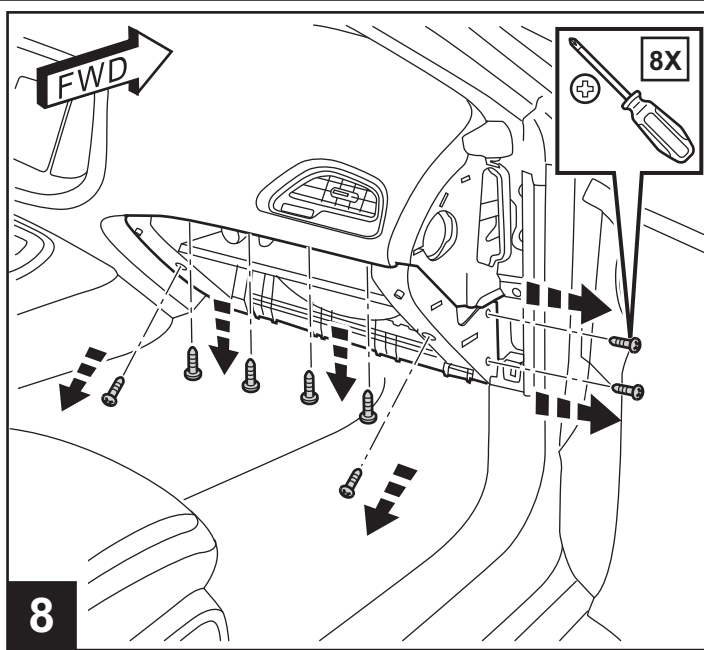
DODGE CHALLENGER FOG LIGHTS

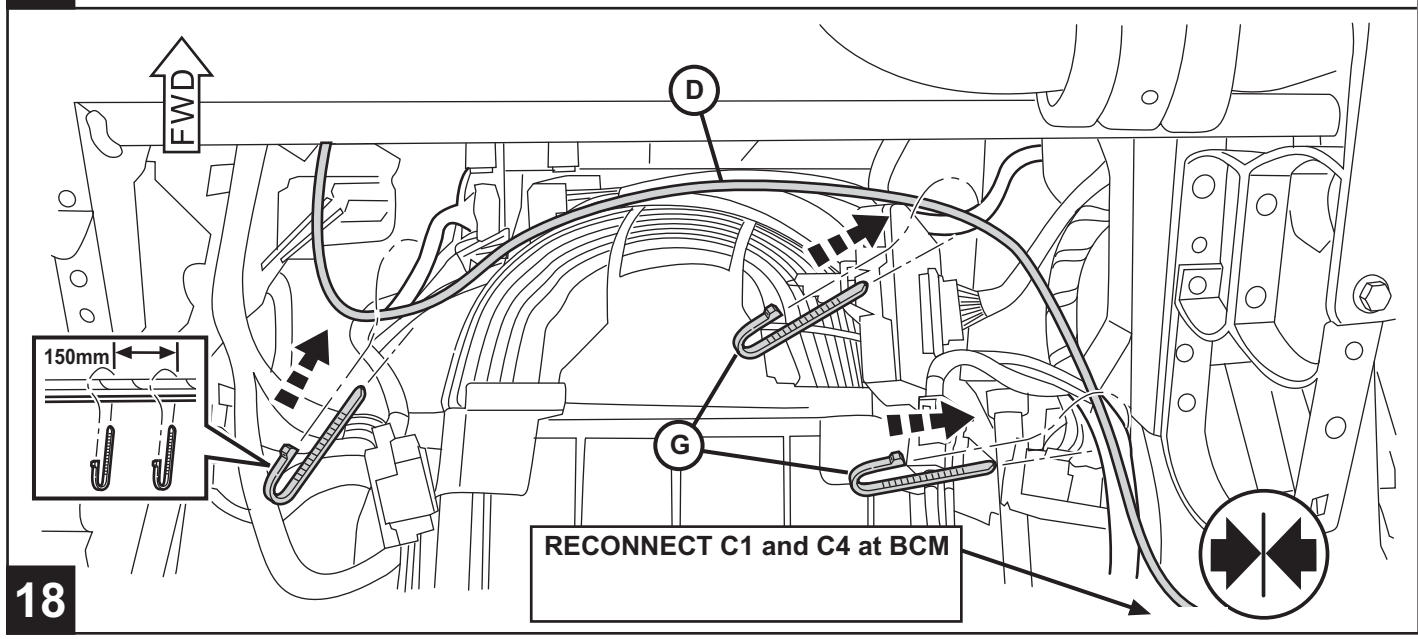
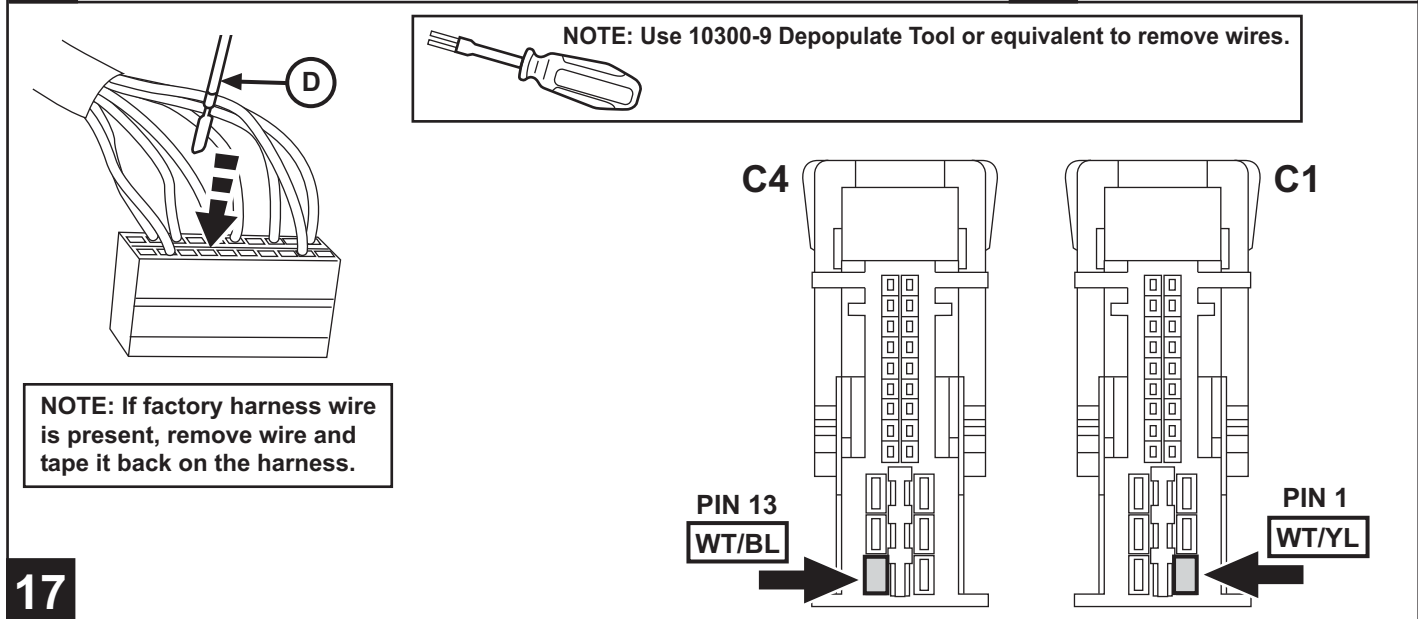
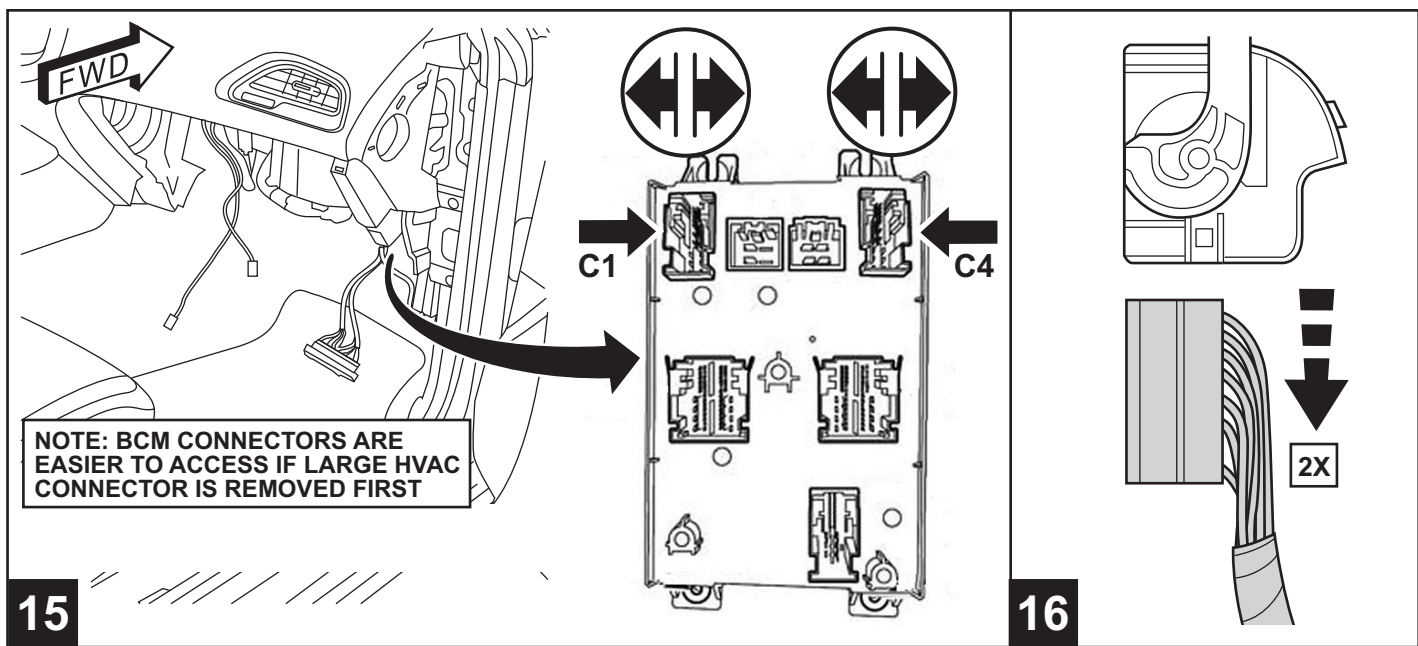


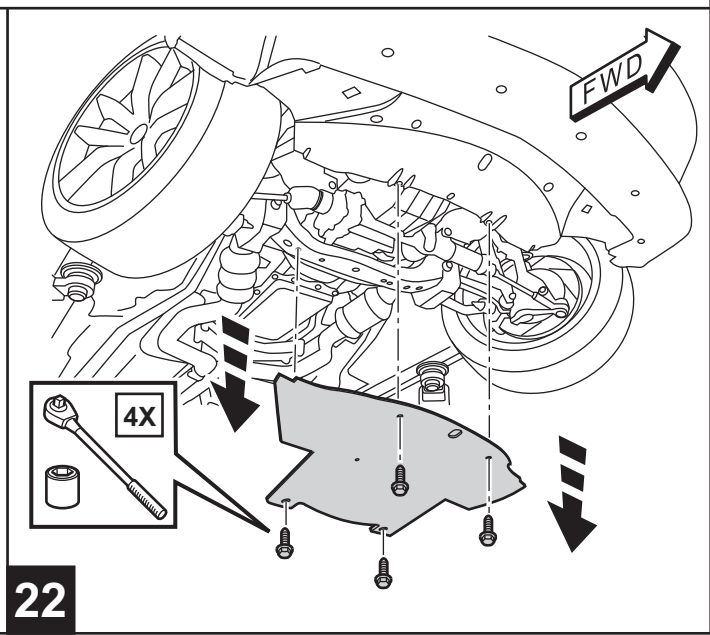
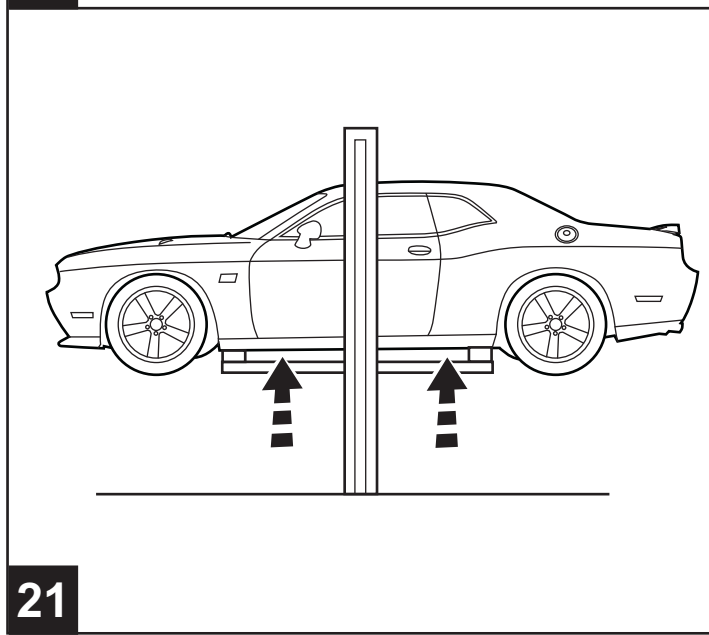
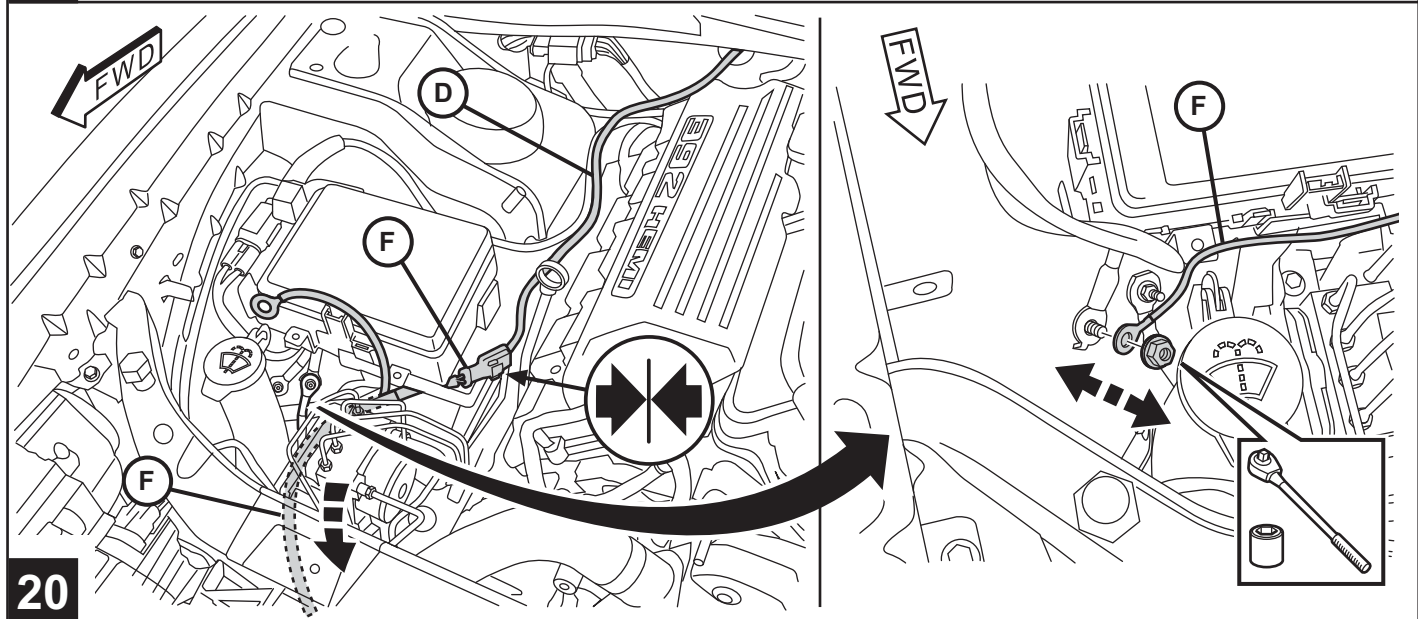
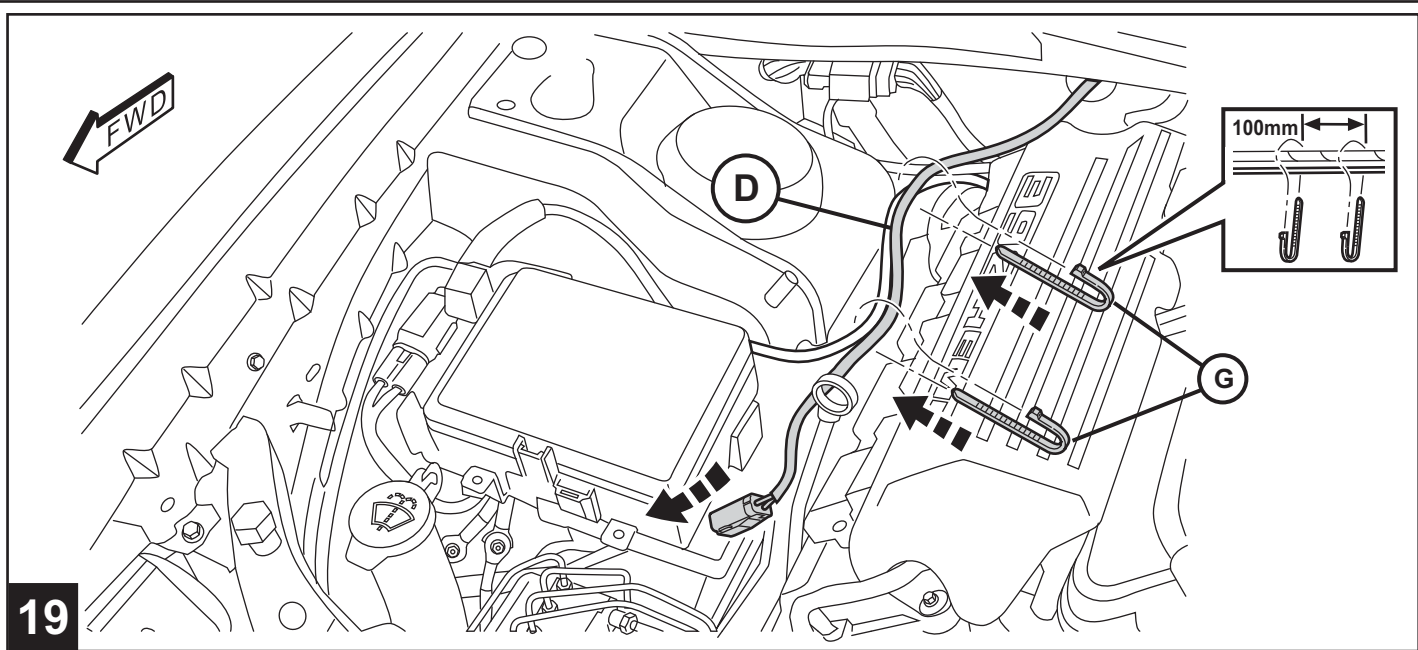
RETAIN ALL FASTENERS FOR REINSTALLATION

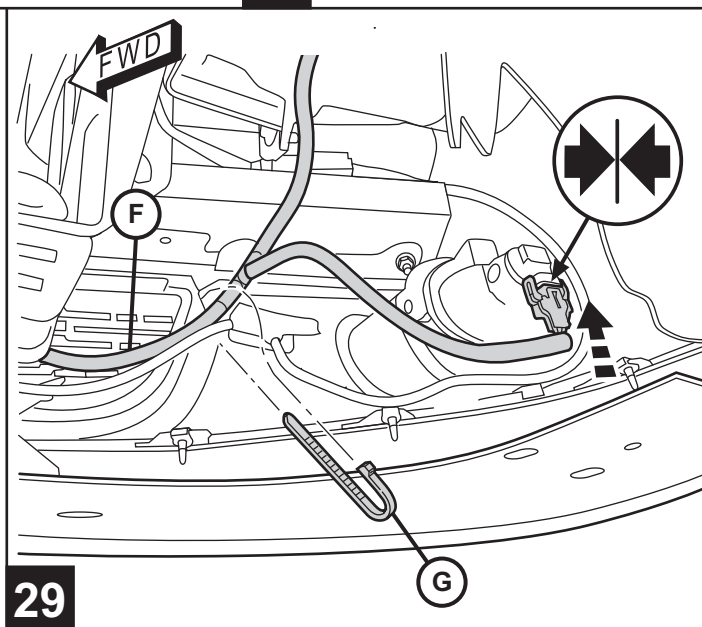
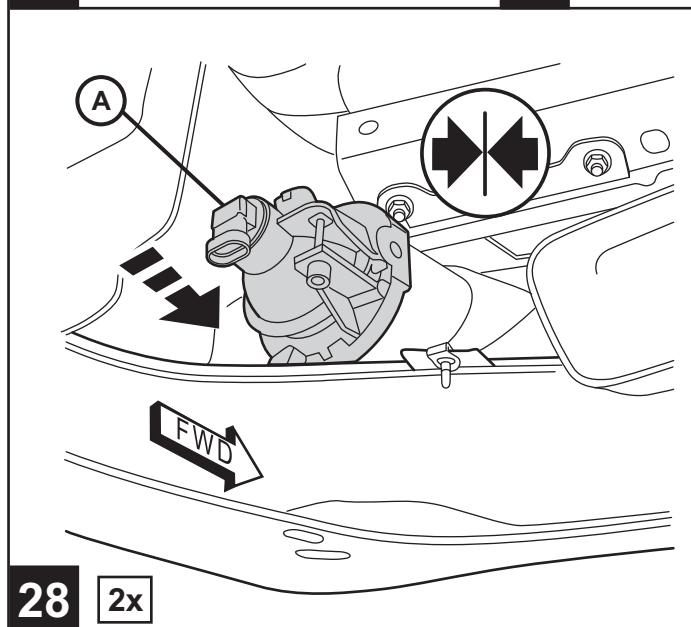
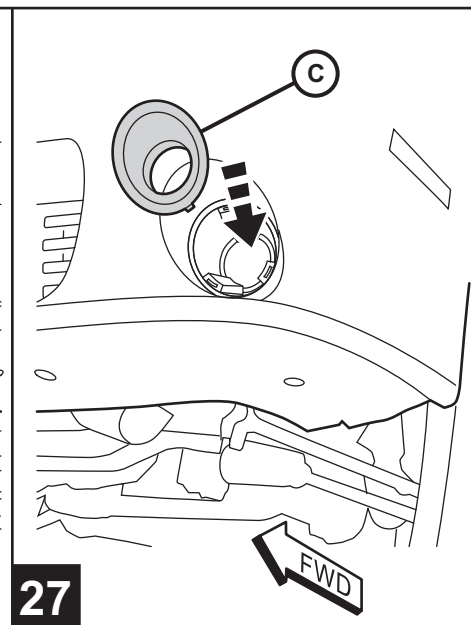
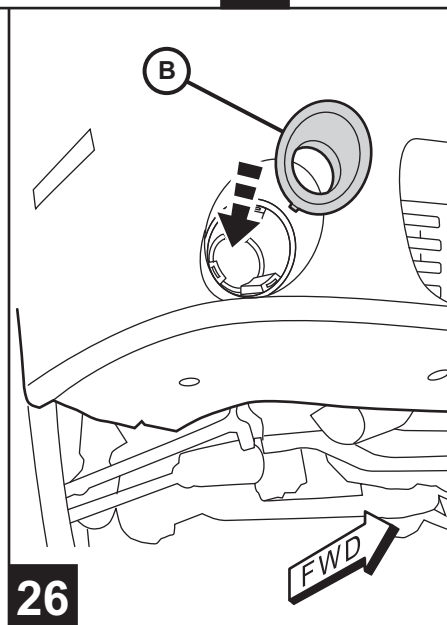
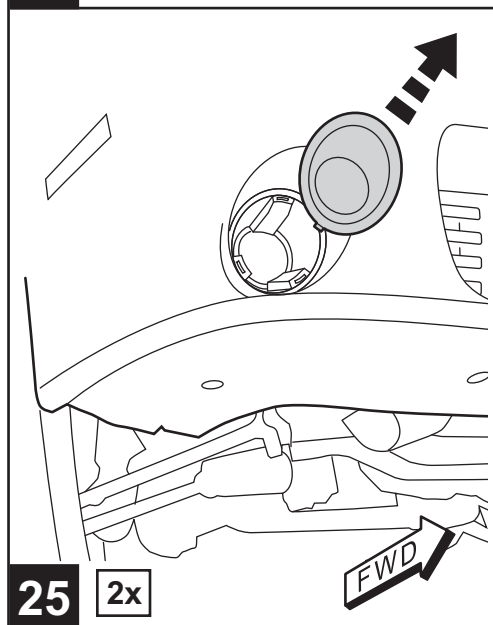
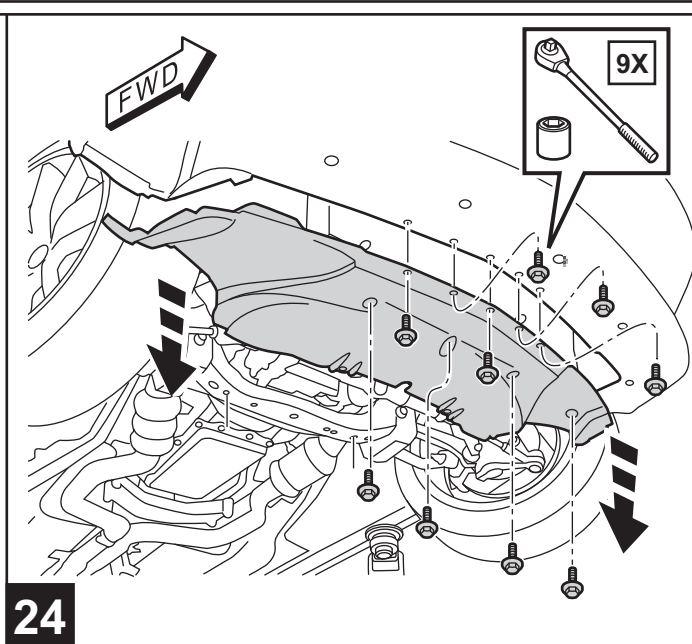
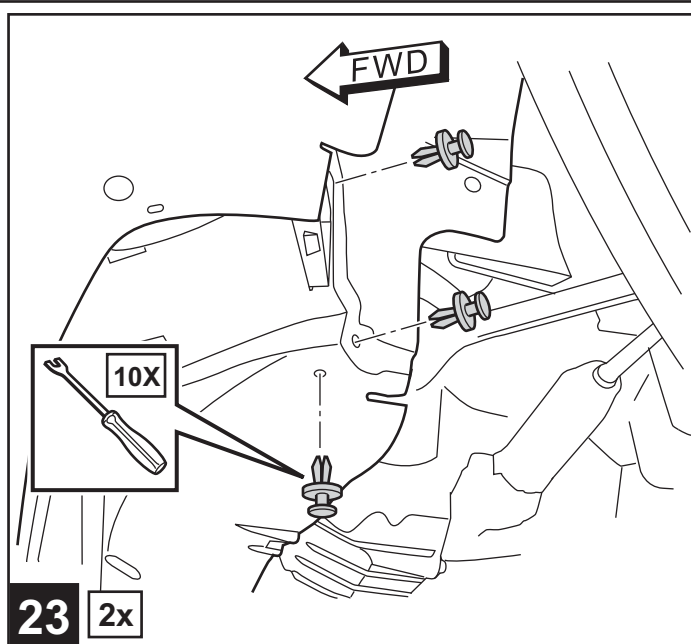


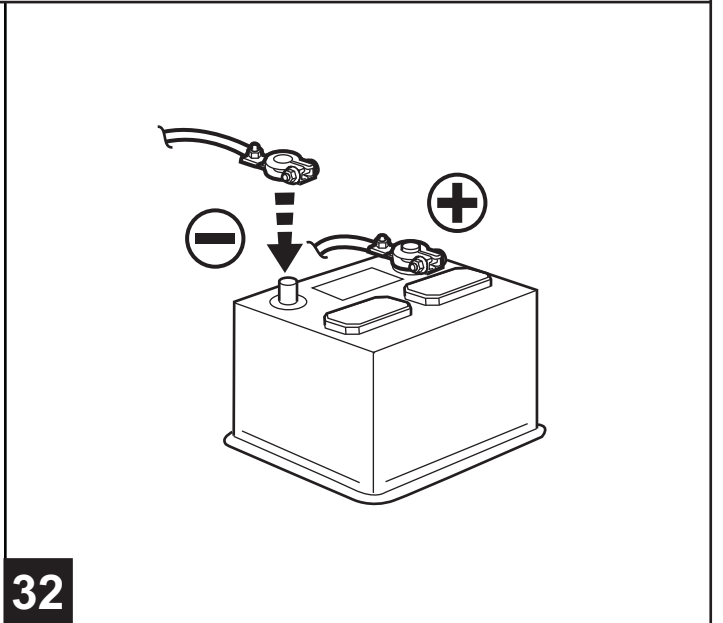
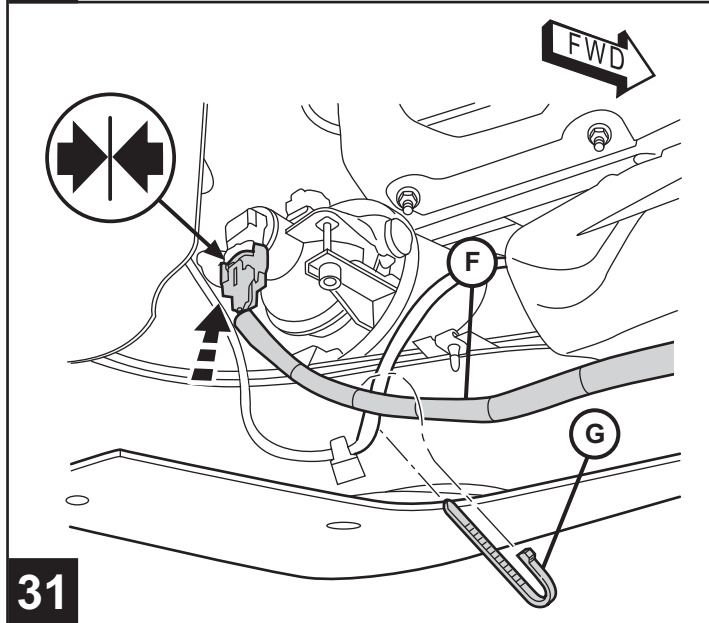
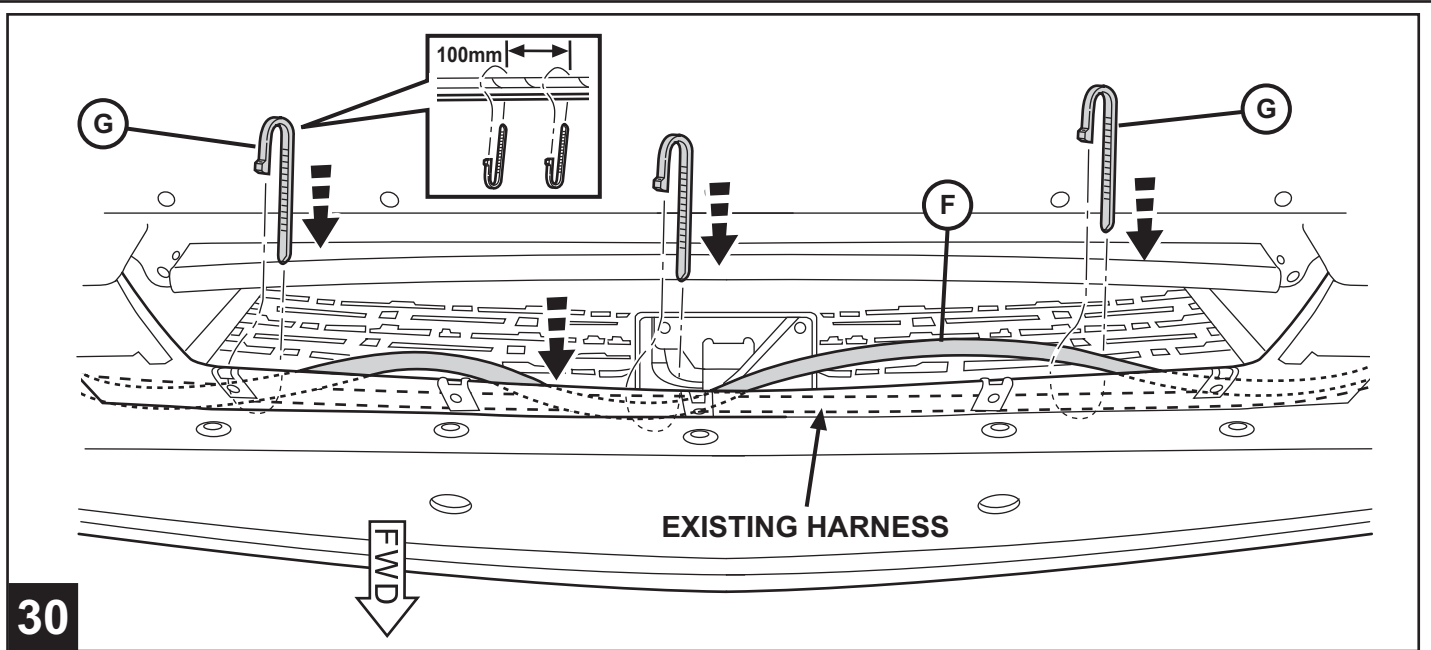












FOLLOW THE BCM CONFIGURATION AND FOG LAMP ALIGNMENT INSTRUCTIONS ON THE NEXT PAGE.

BCM Fog Light Configuration

Vehicle VIN must be updated with the sales code of the added accessory in order to enable system functionality. Using the DealerCONNECT website and the scan tool, complete the procedure below:

1. Log
2. In the service tab, inside the Warranty Administration box, locate "Vehicle Option Updates." Enter the vehicle VIN and add the sales code "LNJ" (fog light) as a "Dealer Installed Option".
3. Confirm that the new sales code has been successfully added to the VIN.

With the scan tool connected to both the internet (via Ethernet port or wireless connection) and the vehicle, follow the steps below:

4. Using the scan tool select the VEHICLE PREPARATION and then select RESTORE VEHICLE CONFIGURATION.
5. Follow the step by step instructions on the scan tool to complete the fog light installation

Fog Light Alignment

The fog lamp adjustment screw is accessed through clearance holes near the right and left outboard ends of the belly pan below the front fascia. A properly aimed front fog lamp will project a pattern on the alignment screen 100mm (4 inches) below the fog lamp centerline and straight ahead of the lamp.

- 1) Turn the fog lamps ON.
- 2) Rotate the fog lamp vertical adjustment screw on each lamp to adjust the beam height as required.

**REVERSE STEPS 5 THROUGH 10 TO REASSEMBLE ALL
TRIM PANELS AND VEHICLE COMPONENTS**