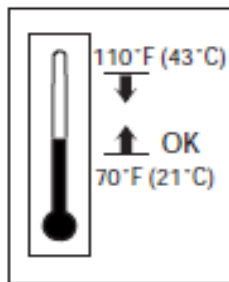


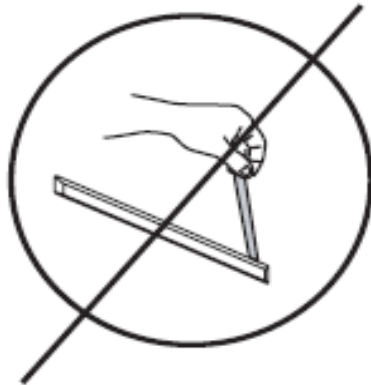


# Dodge Ram Body Side Moldings

## Important Warning



Vehicle Surface  
Temperature



Do not pull tape liner prior  
to installation on vehicle.

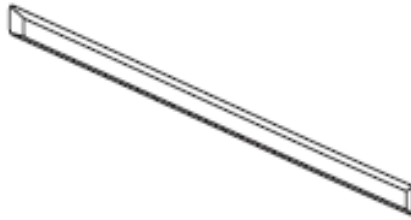


Do not apply body side molding  
starting from center.

**Risk of poor adhesion to vehicle surface or fit issues.**

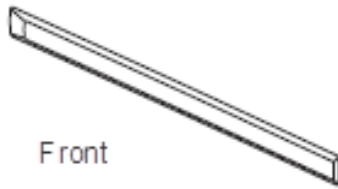
Risk of poor adhesion to vehicle surface or fit issues.

# Regular



**A** X2

# Quad



Front

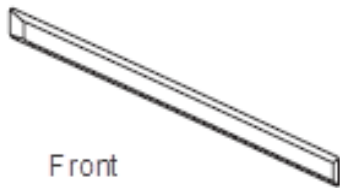


Rear

**B** X2

**C** X2

# Crew



Front



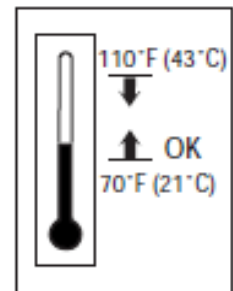
Rear

**B** X2

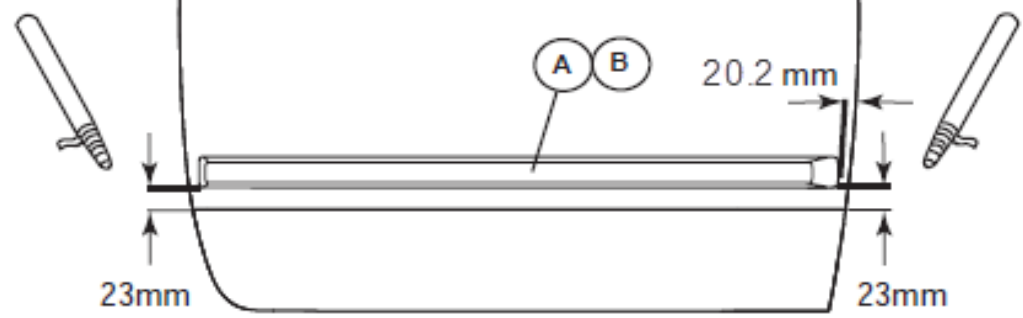
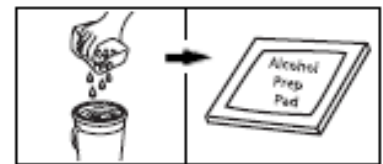
**D** X2



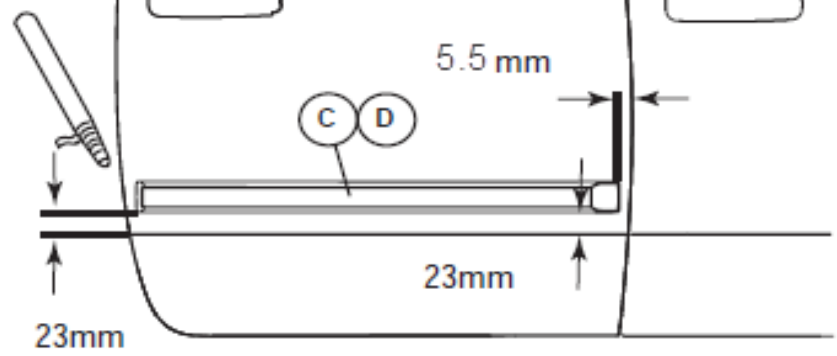
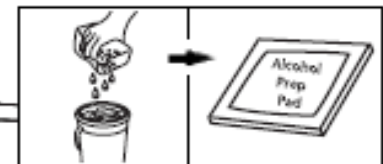
Alcohol  
Prep  
Pad



**E** X4

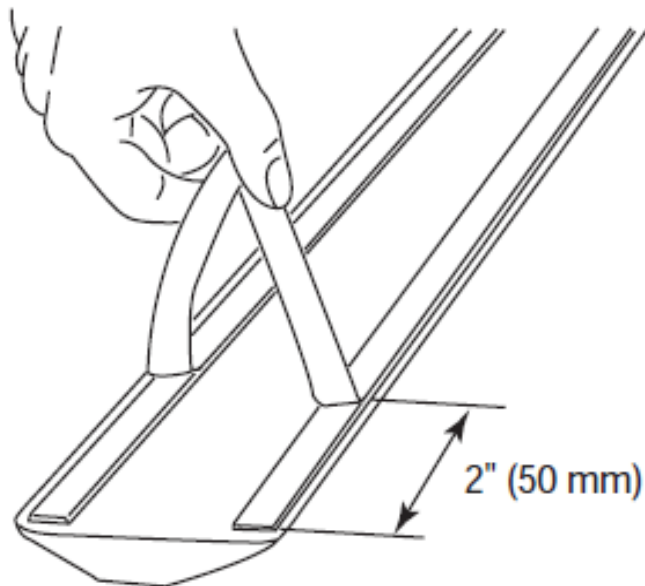


1

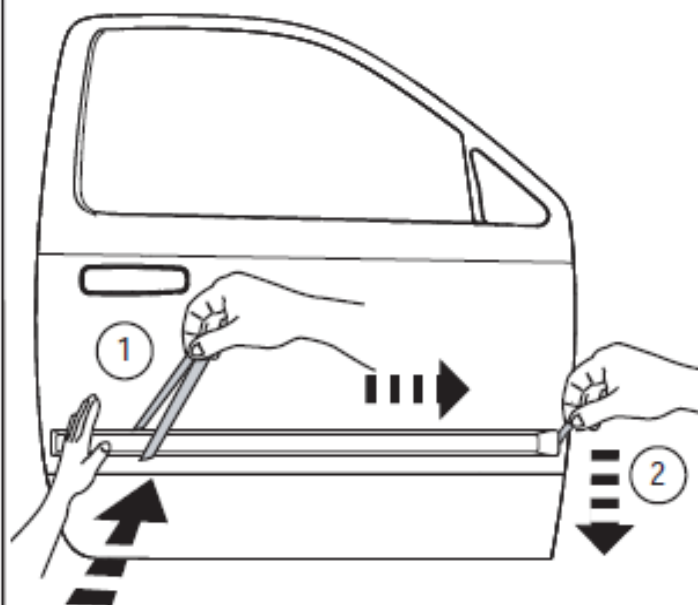
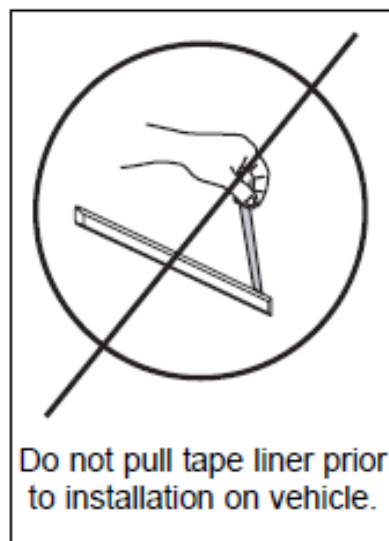


If Applicable

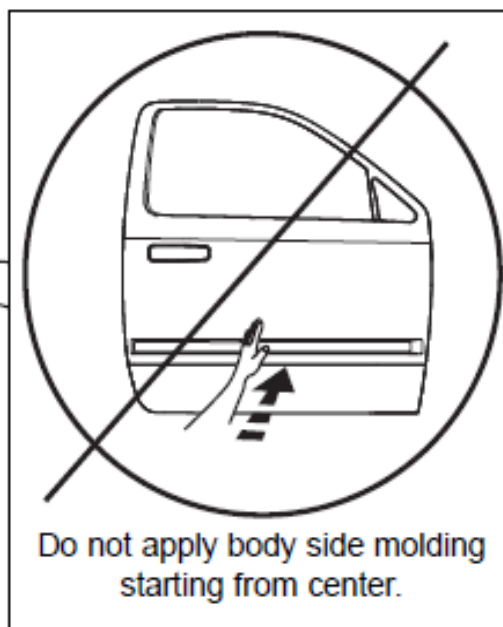
2

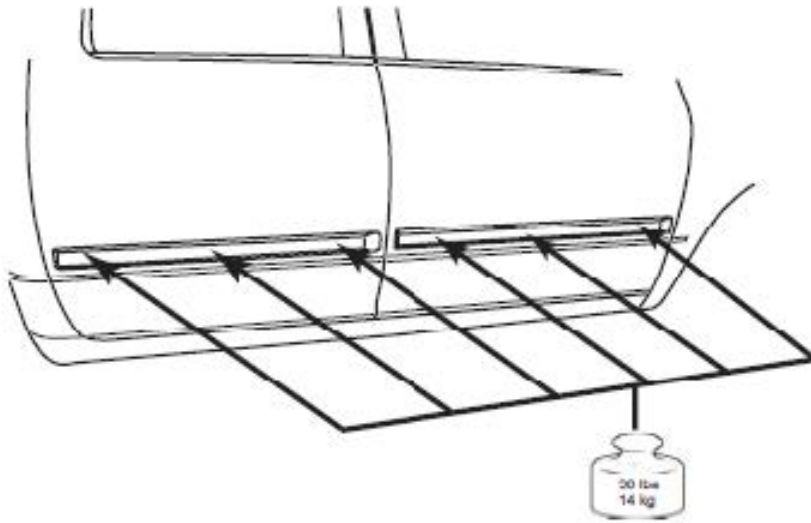


3



4

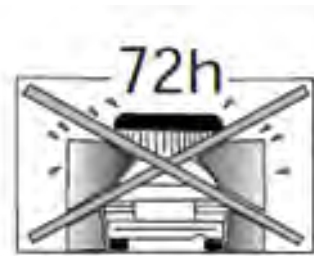
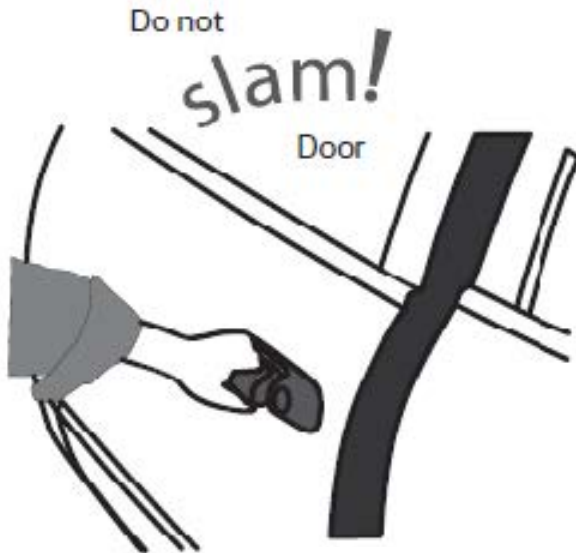




5

NOTE: Repeat steps 1-5 on the other side

6



For 72 Hours After Installation