

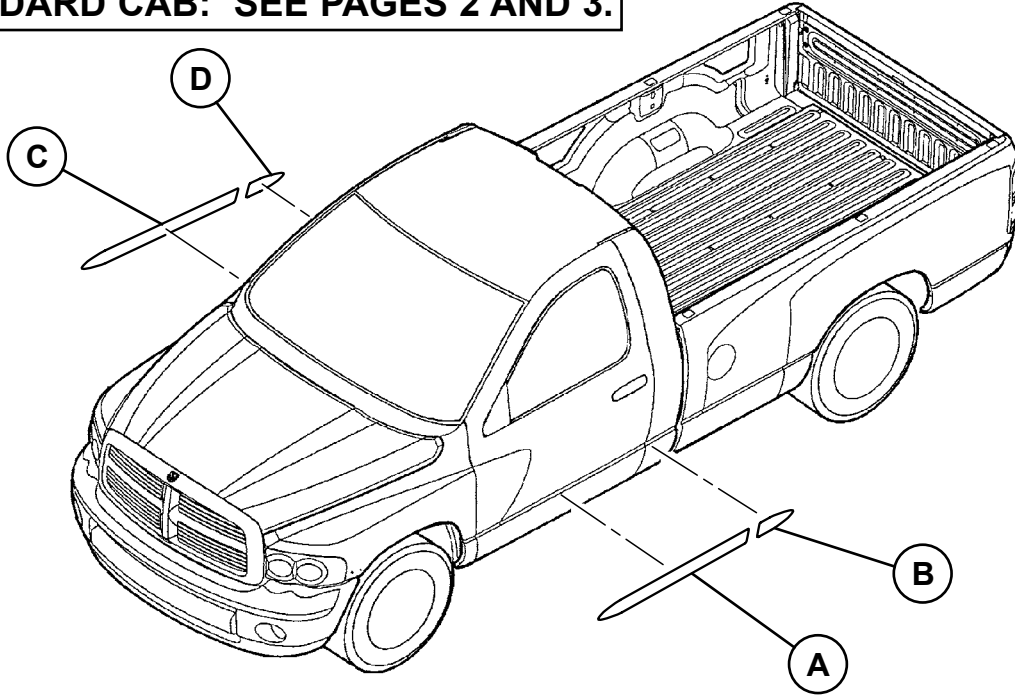


MOPAR®

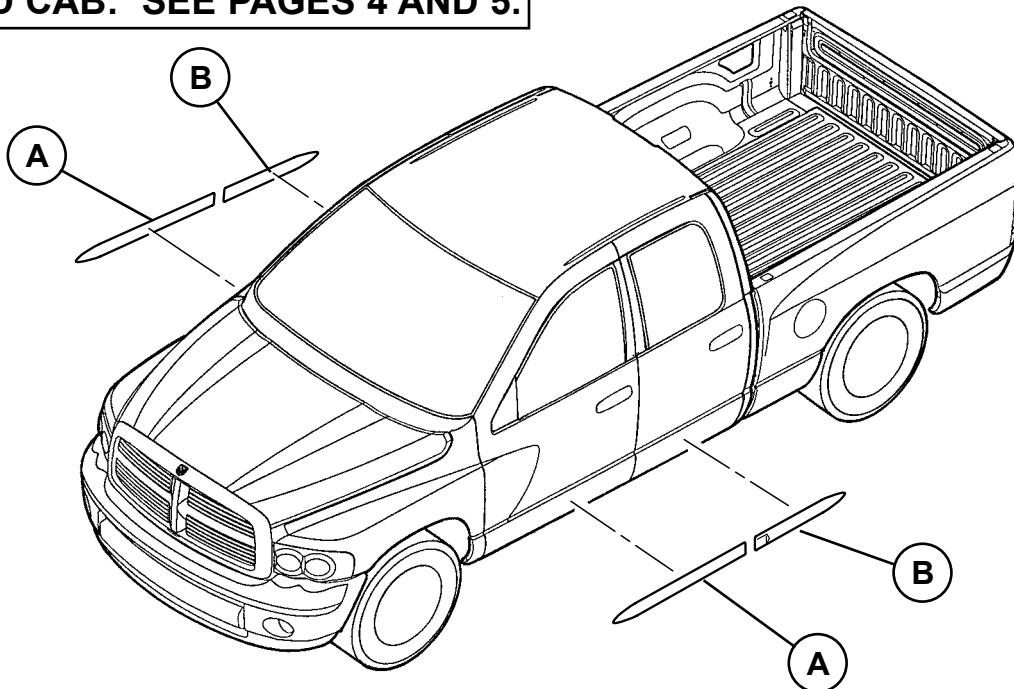
DODGE RAM TRUCK

Chrome Door Mouldings

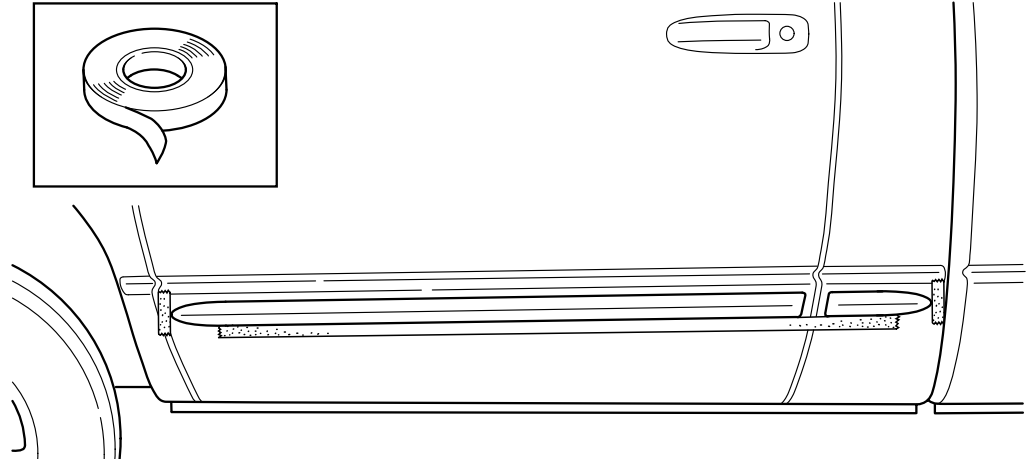
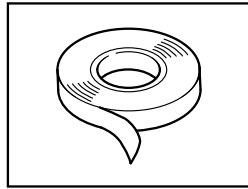
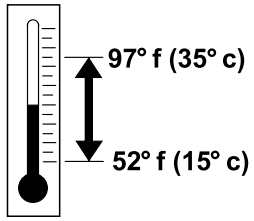
STANDARD CAB: SEE PAGES 2 AND 3.



QUAD CAB: SEE PAGES 4 AND 5.



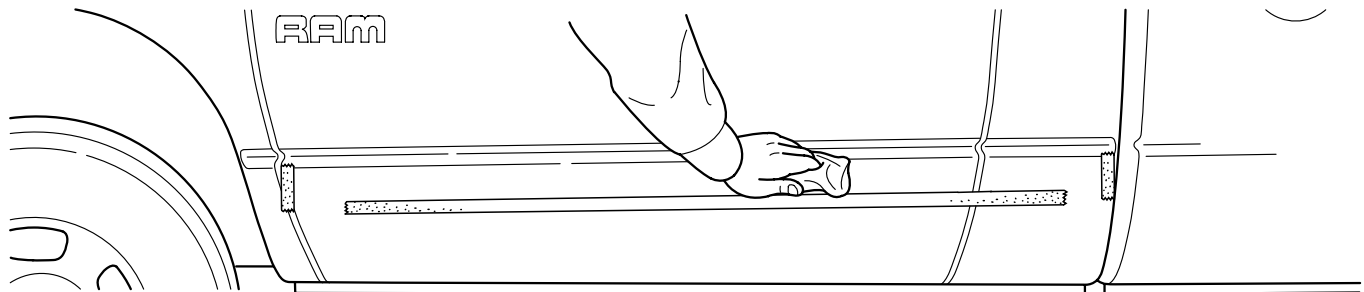
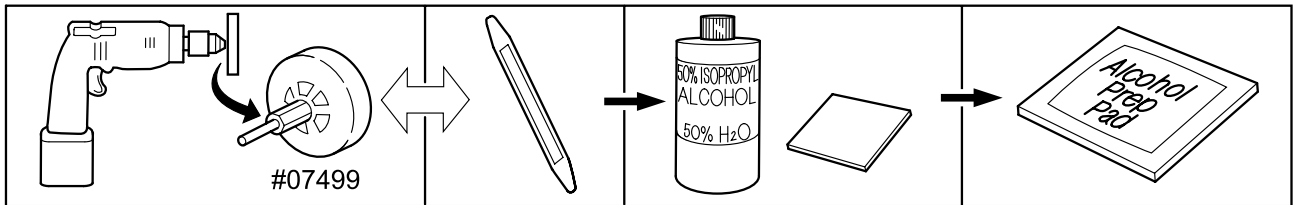
STANDARD CAB



1

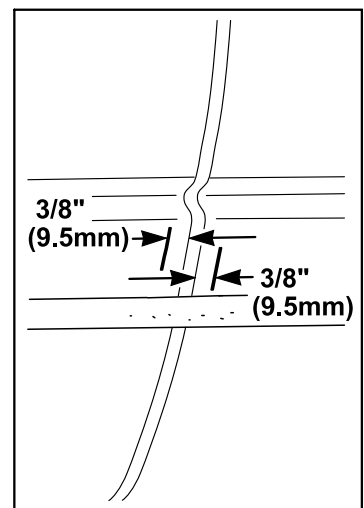
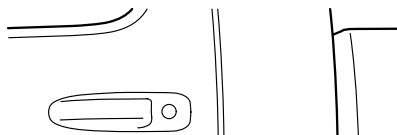
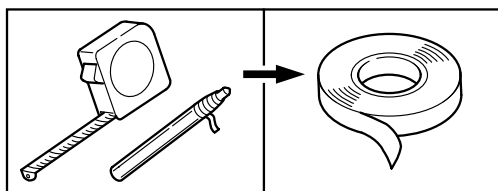
2

IF VEHICLE HAS FACTORY INSTALLED MOULDINGS, APPLY MASKING TAPE AS SHOWN.



3

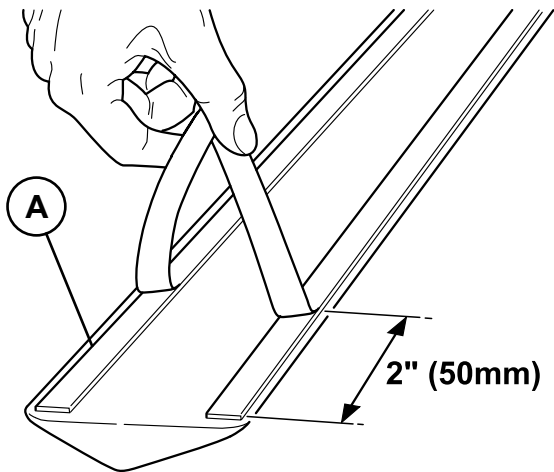
REMOVE EXISTING MOULDINGS AND ADHESIVE RESIDUE.



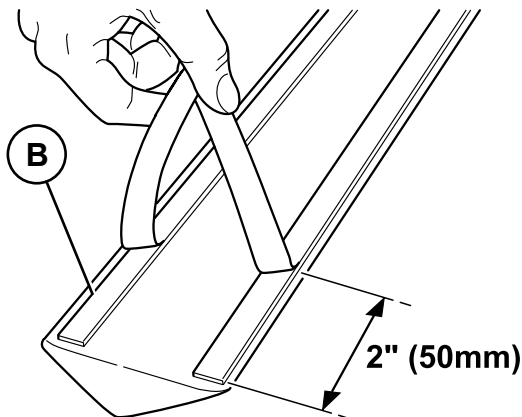
4

IF VEHICLE HAS NO MOULDINGS, MEASURE AS SHOWN AND APPLY MASKING TAPE.

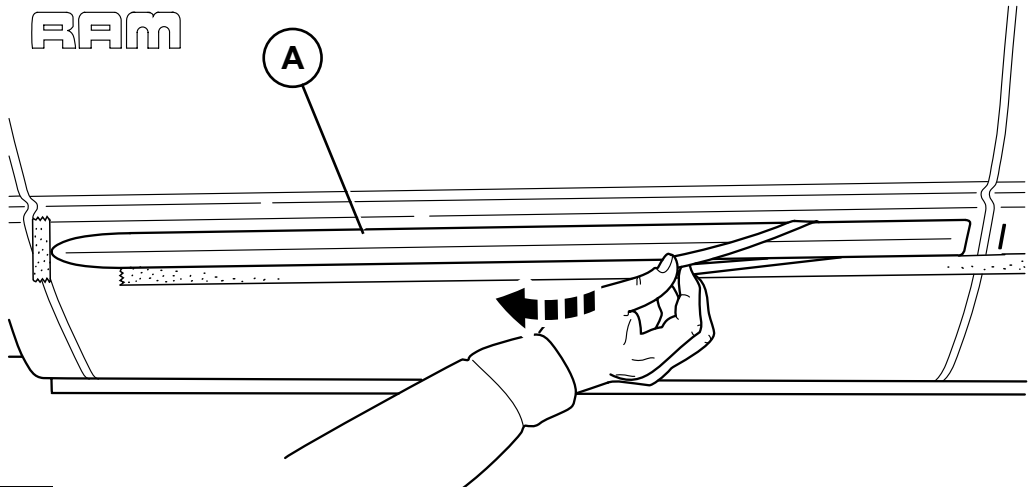
STANDARD CAB



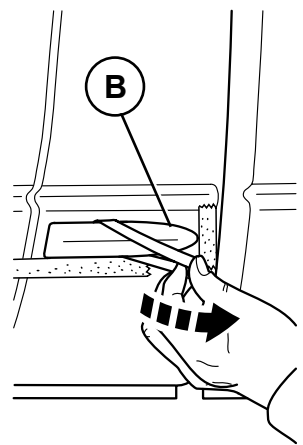
5



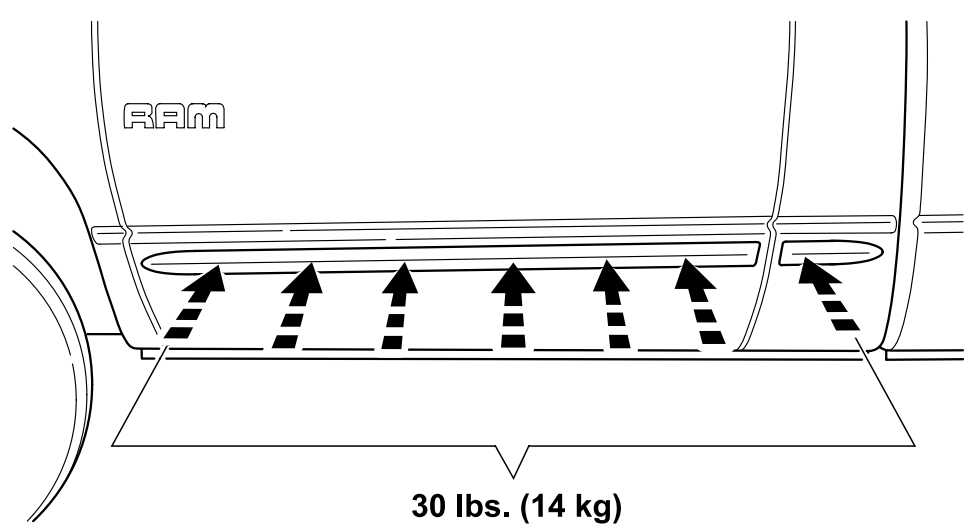
6



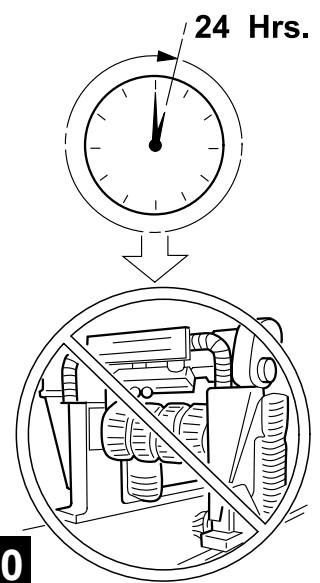
7



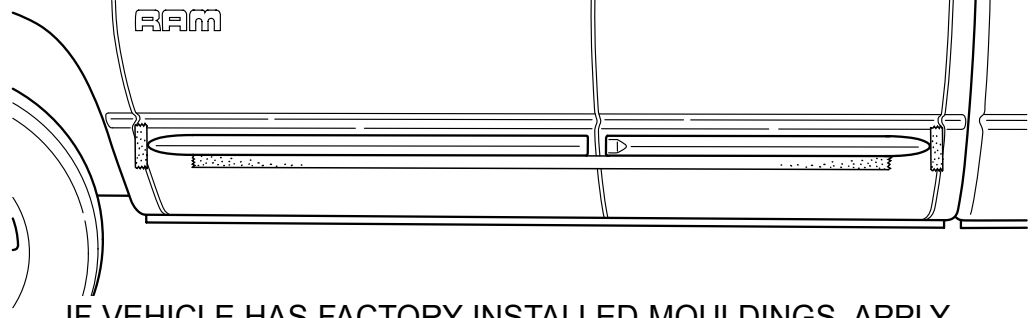
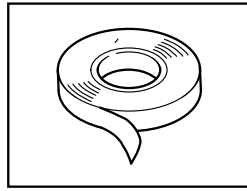
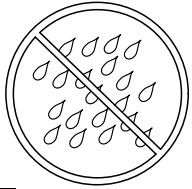
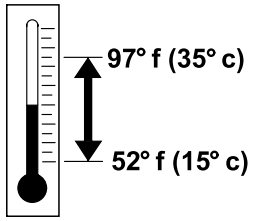
8



9



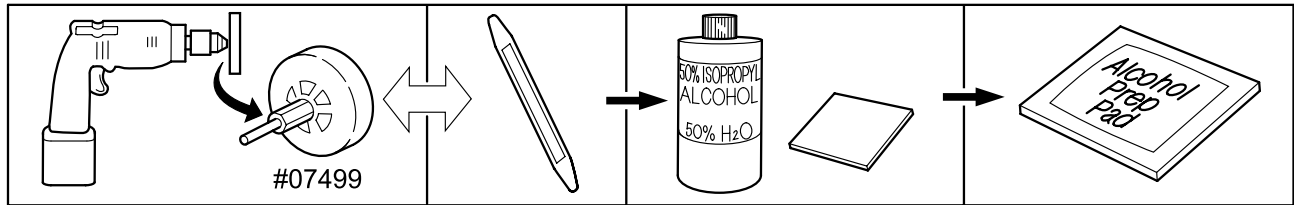
10



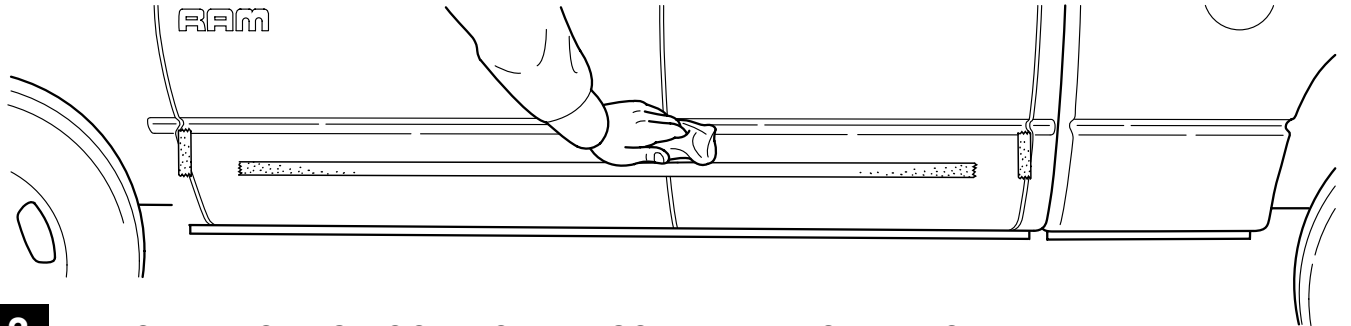
1

2

IF VEHICLE HAS FACTORY INSTALLED MOULDINGS, APPLY MASKING TAPE AS SHOWN.

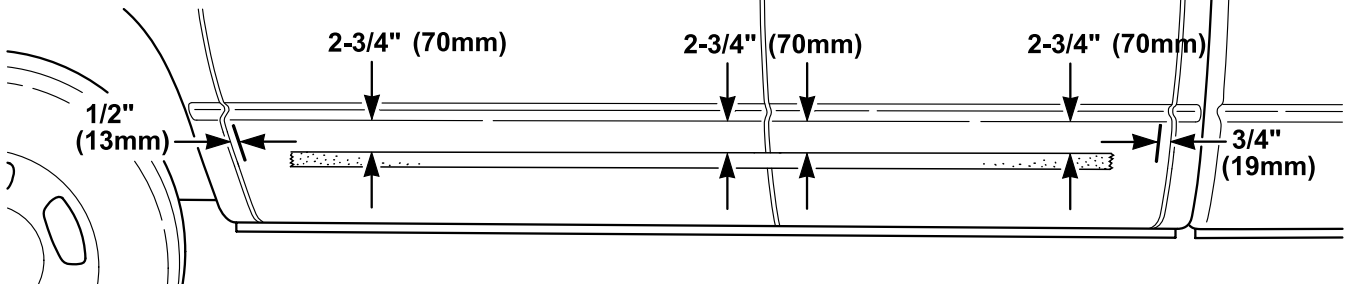
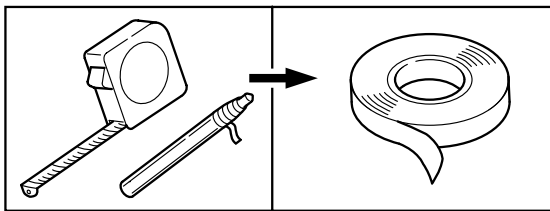


RAM



3

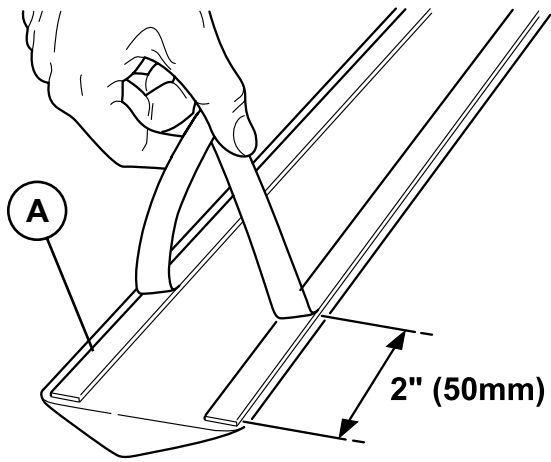
REMOVE EXISTING DOOR MOULDINGS AND ADHESIVE RESIDUE.



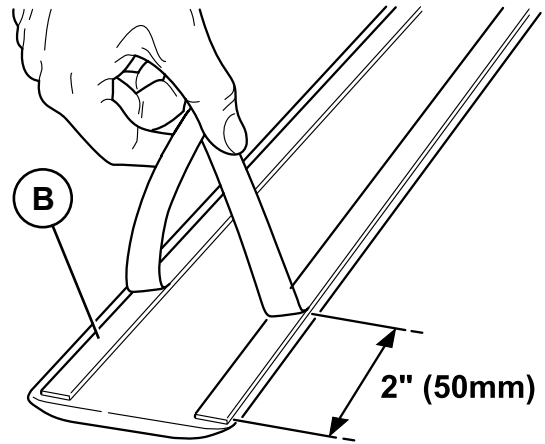
5

IF VEHICLE HAS NO MOULDINGS, MEASURE AS SHOWN AND APPLY MASKING TAPE.

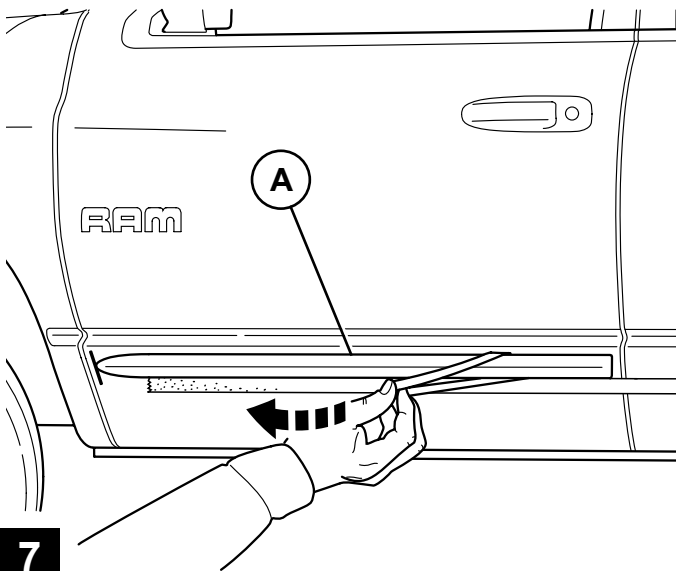
QUAD CAB



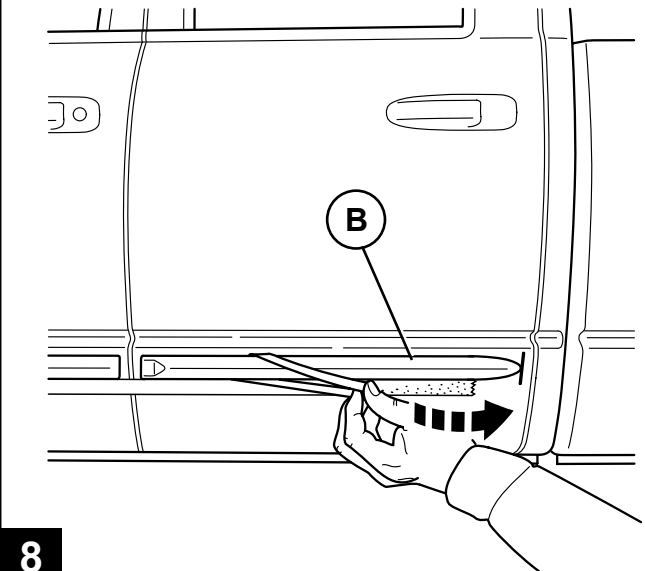
5



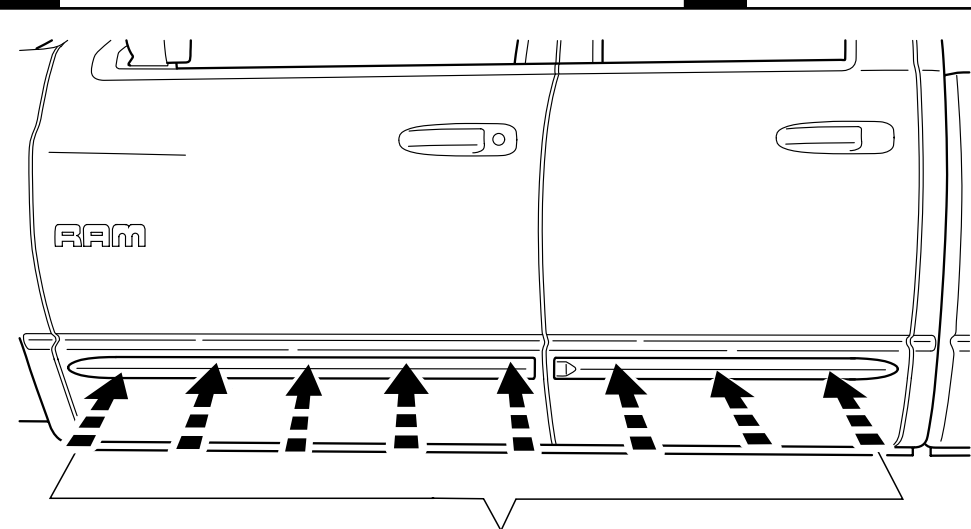
6



7

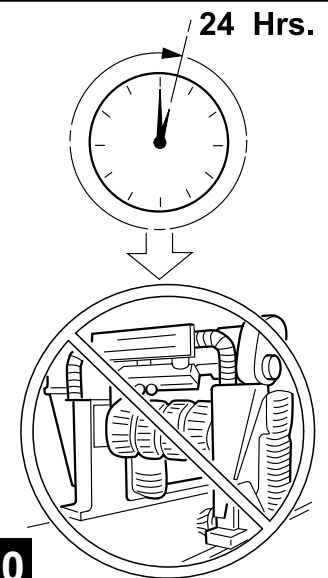


8



9

30 lbs. (14 kg)



10