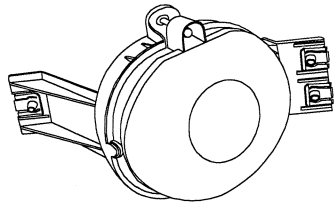


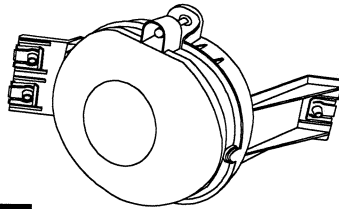


MOPAR®

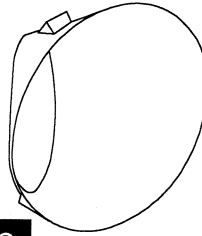
# DODGE RAM Fog Lights



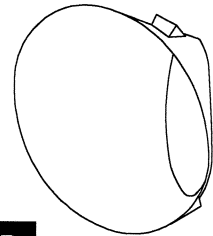
A



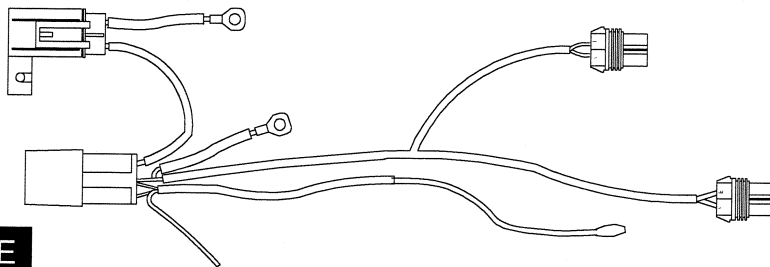
B



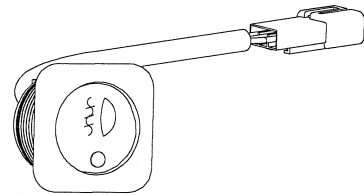
C



D



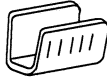
E



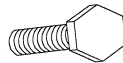
F



G 8x



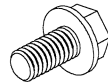
H



I 6x



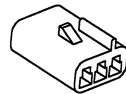
J 6x



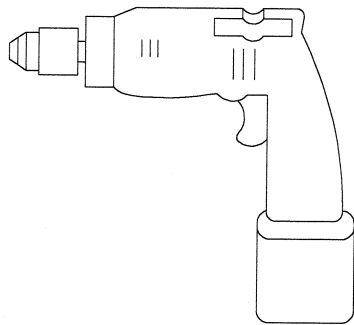
K



L



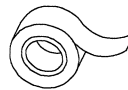
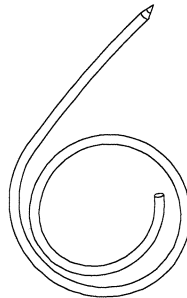
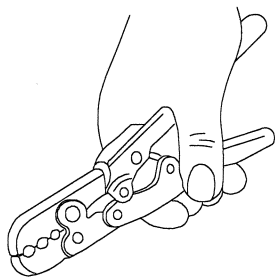
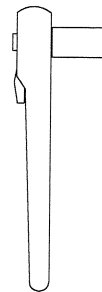
M

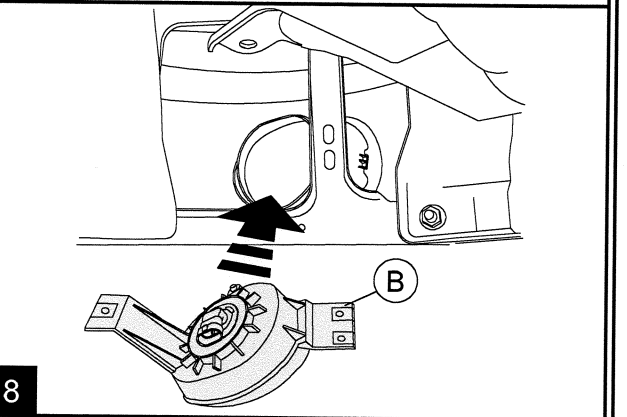
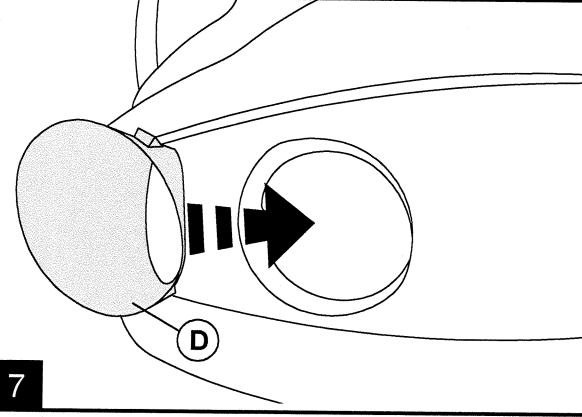
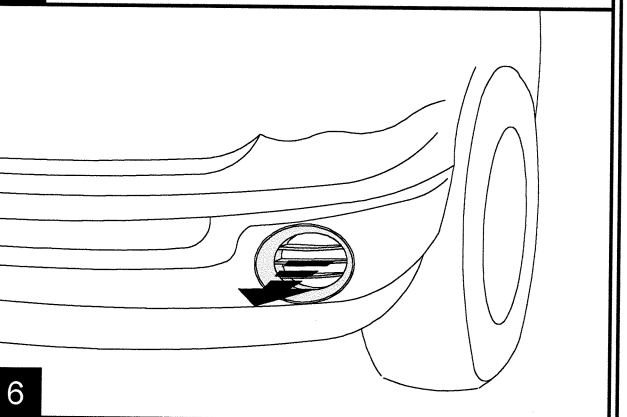
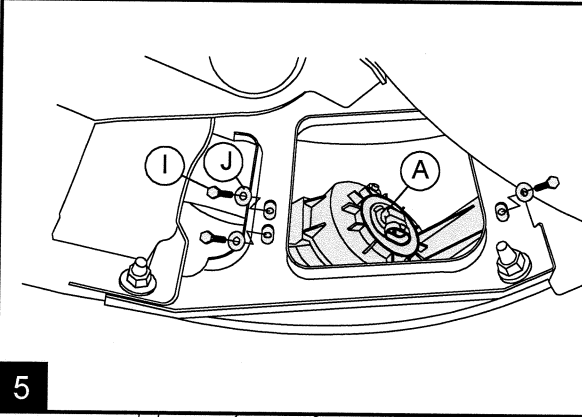
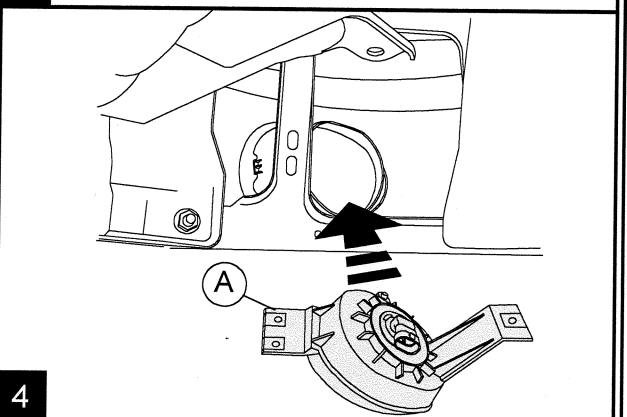
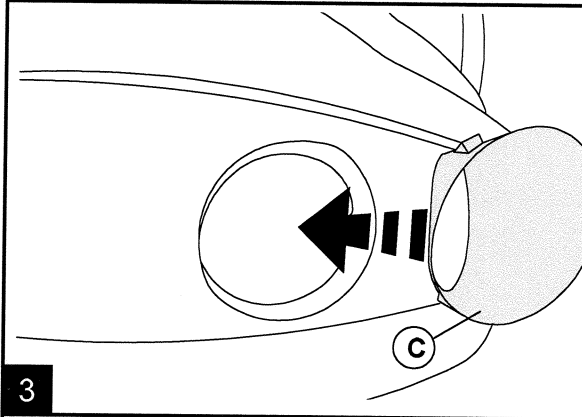
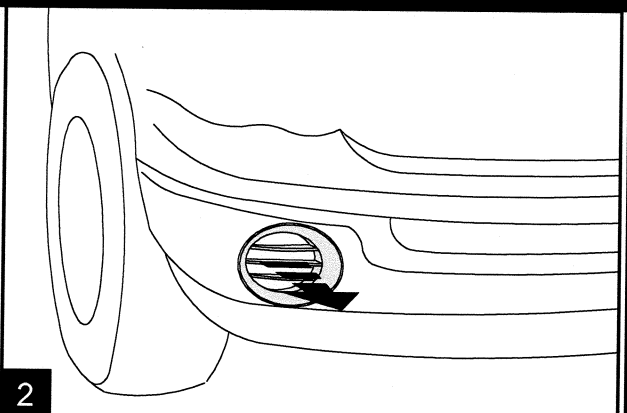
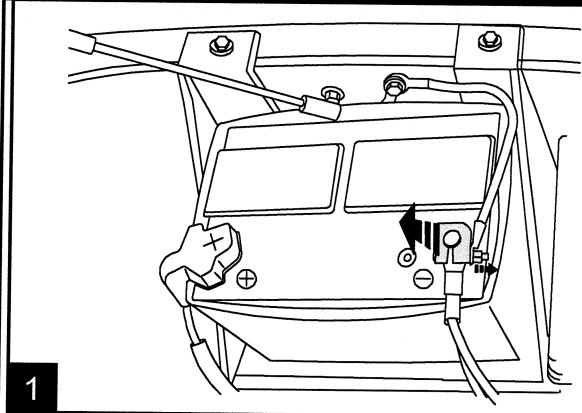


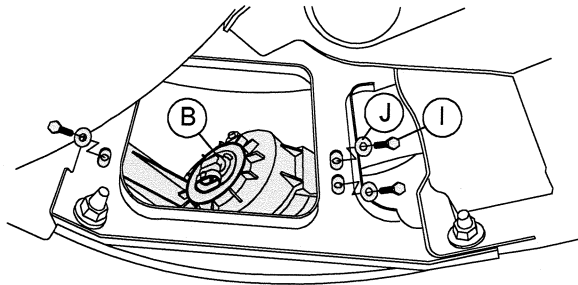
Ø 20mm(25/32")



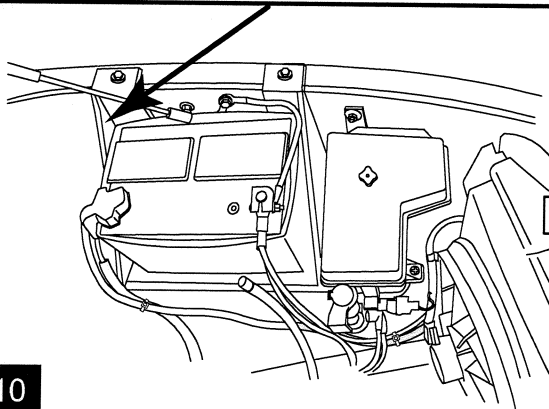
Ø5mm(3/16")



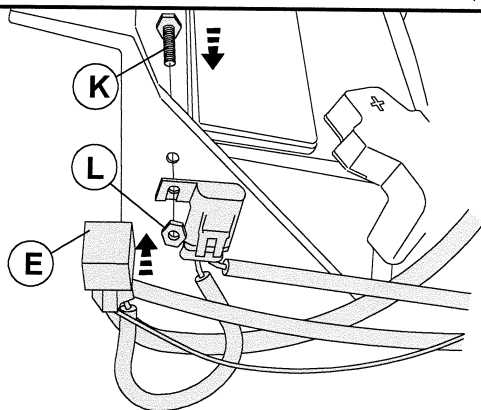
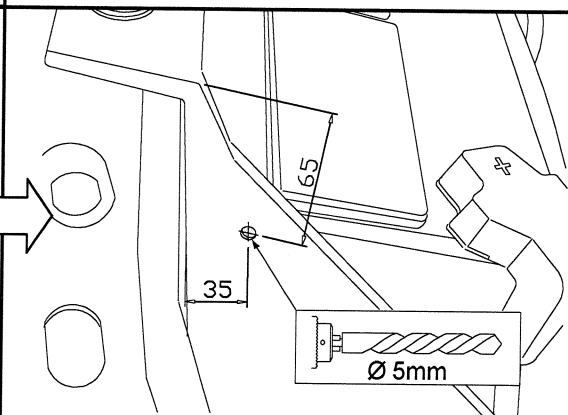




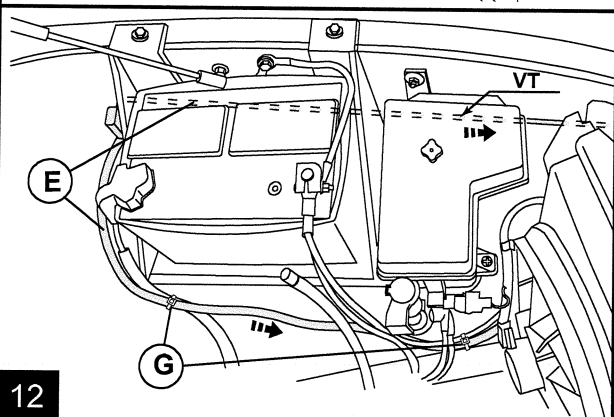
9



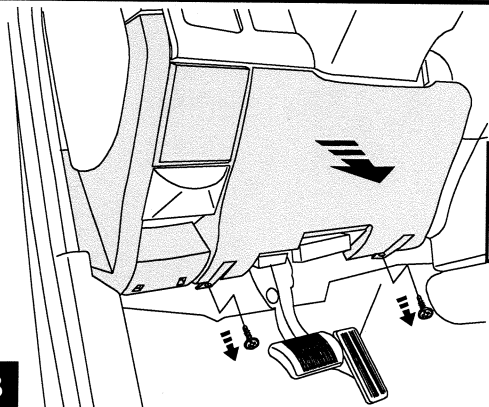
10



11

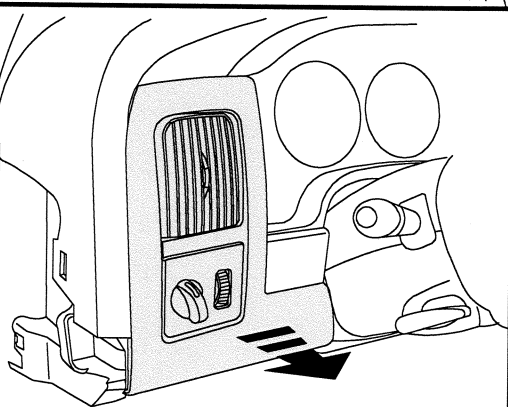


12

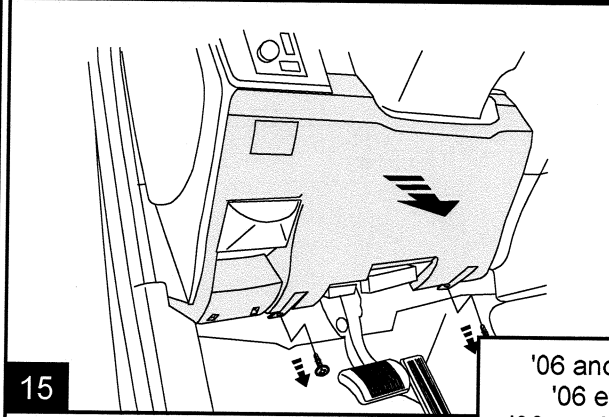


13

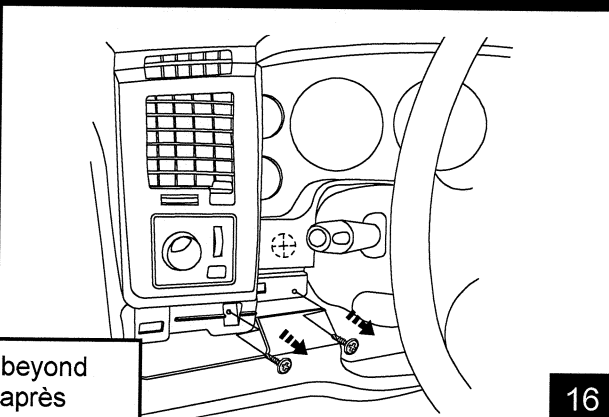
'05 and prior  
'05 et avant  
'05 y antes



14

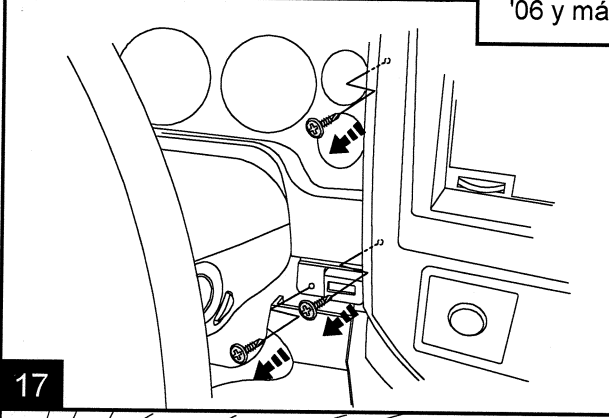


15

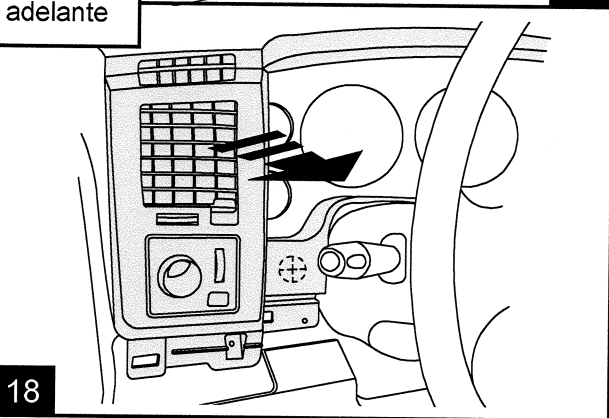


16

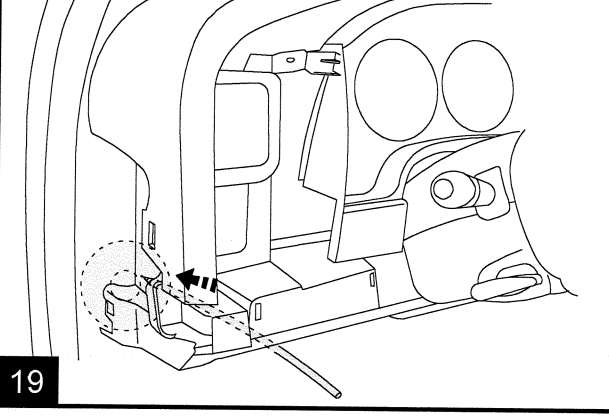
'06 and beyond  
'06 et après  
'06 y más adelante



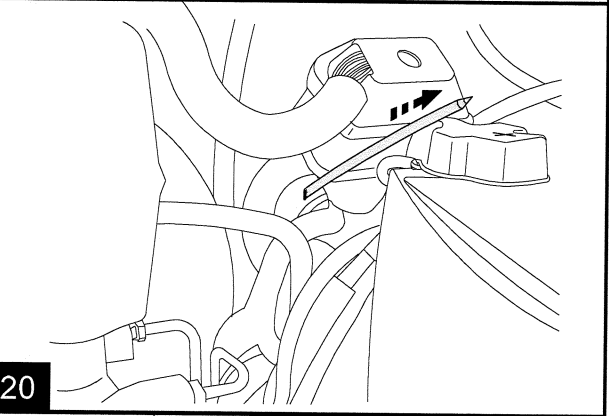
17



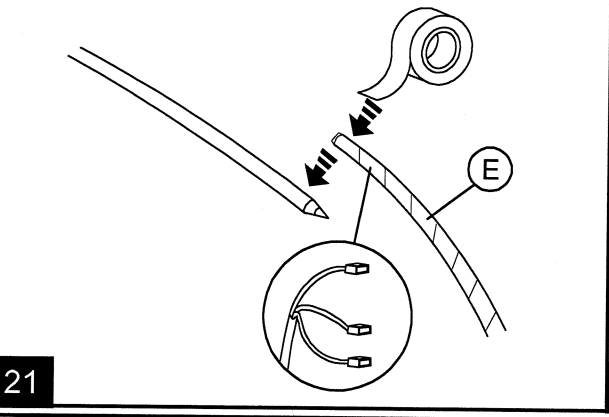
18



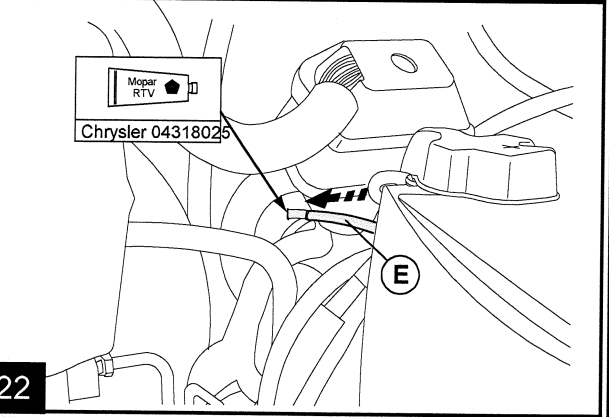
19



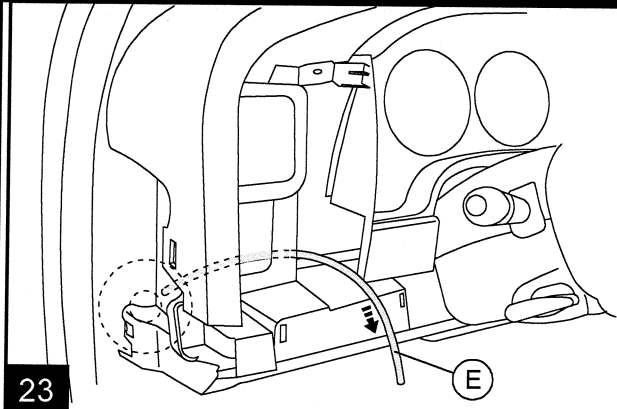
20



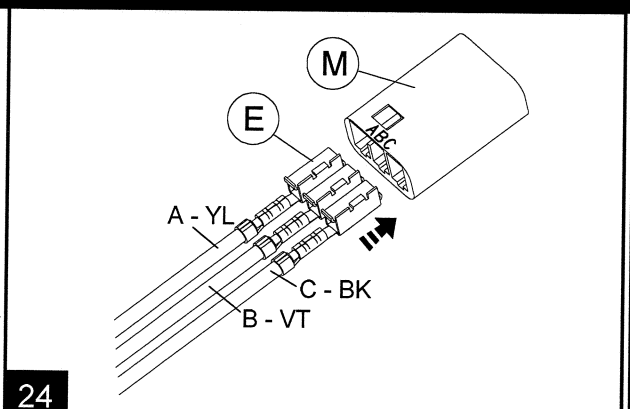
21



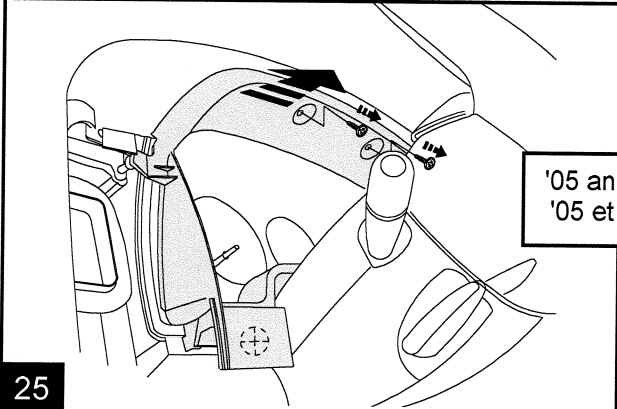
22



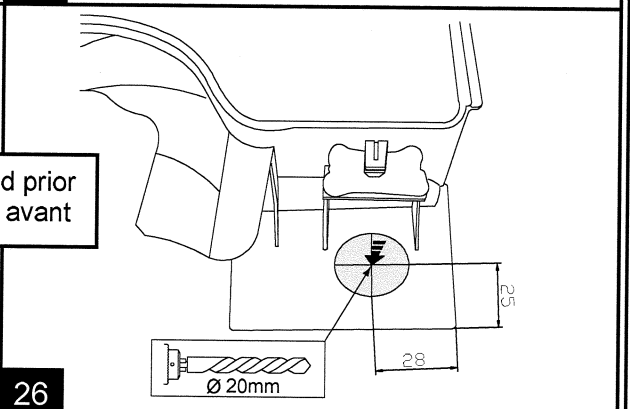
23



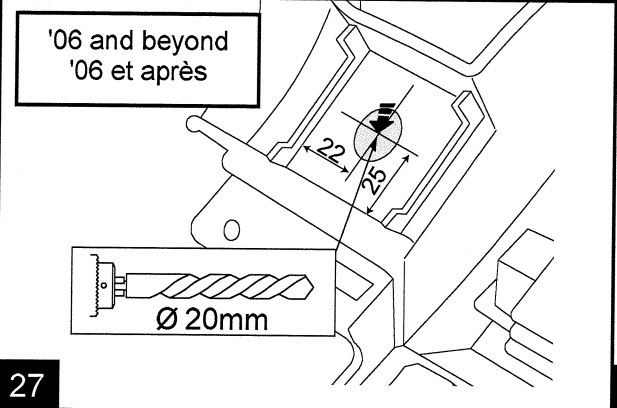
24



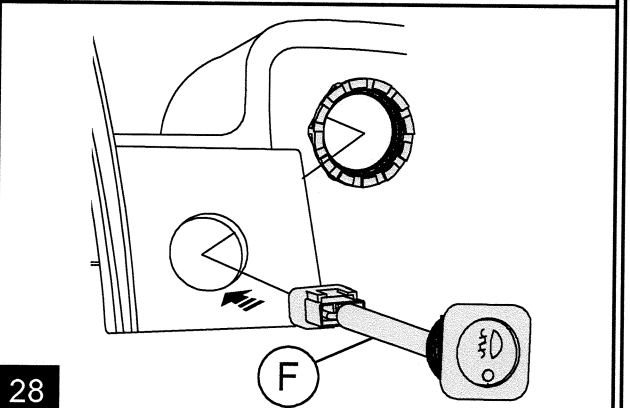
25



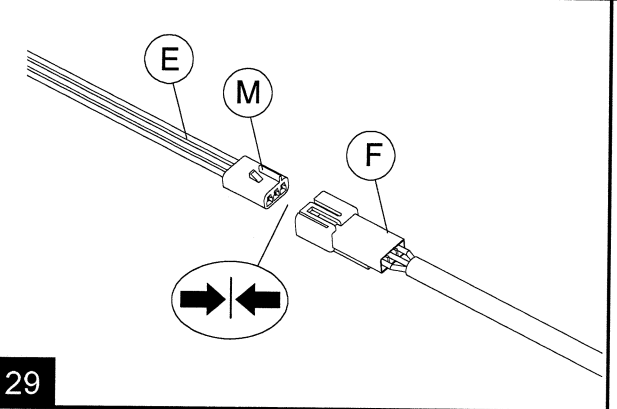
26



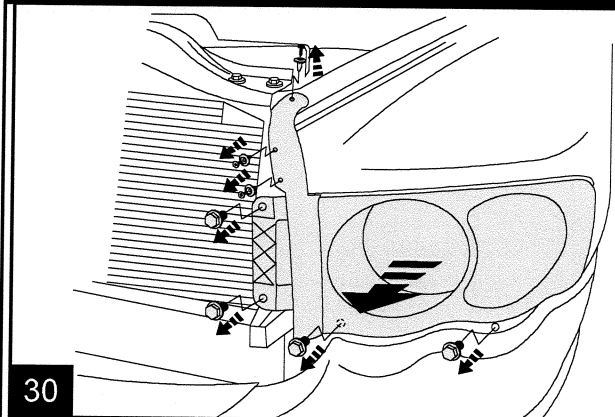
27



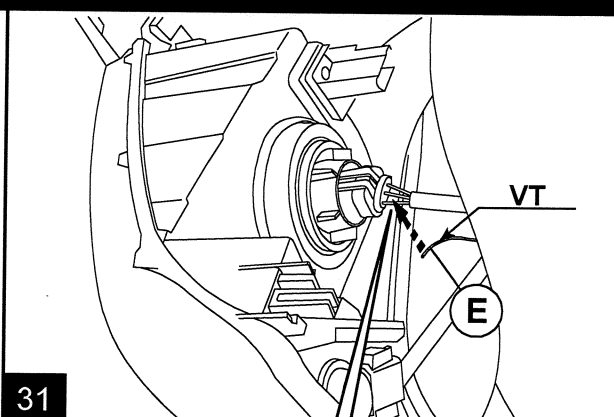
28



29

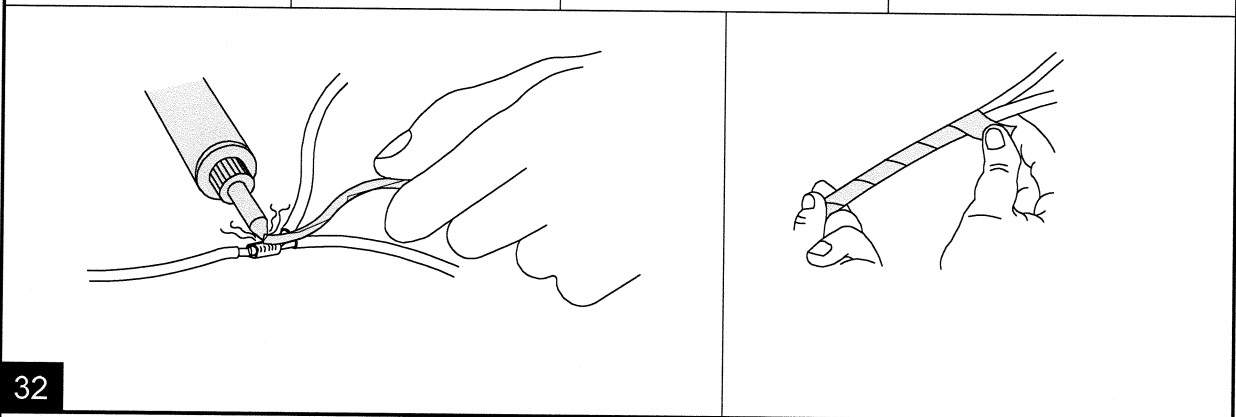


30

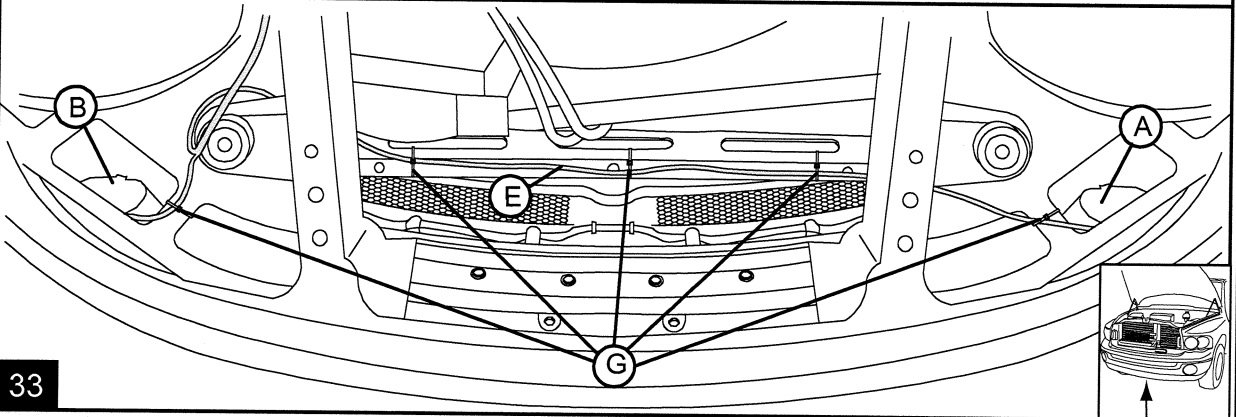


31

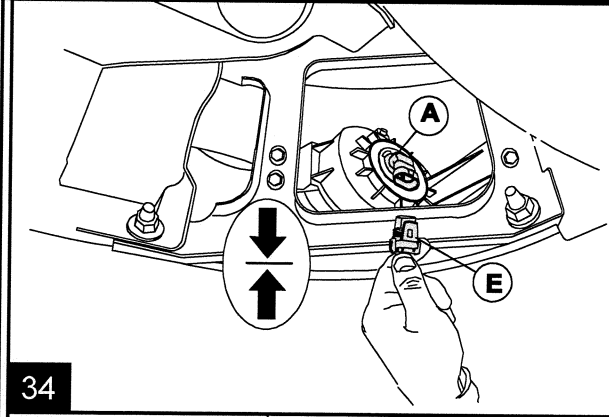
	<p>'03 and prior - center splice to the "LOW BEAM" feed at LH Headlamp = WT/DG</p>	<p>'03 et avant - brancher aux le fil de phares de croisement sur le phare gauche = WT/DG</p>	<p>'03 y antes - conecte a lo faro de cruce sobre el faro izquierdo = WT/DG</p>
	<p>'04 and beyond - center splice to the "LOW BEAM" feed at LH Headlamp = WT/DB</p>	<p>'04 et après - brancher aux le fil de phares de croisement sur le phare gauche = WT/DB</p>	<p>'04 y más adelante - conecte a lo faro de cruce sobre el faro izquierdo = WT/DB</p>



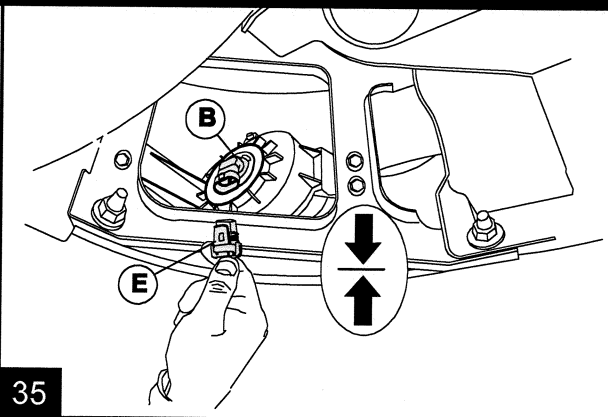
32



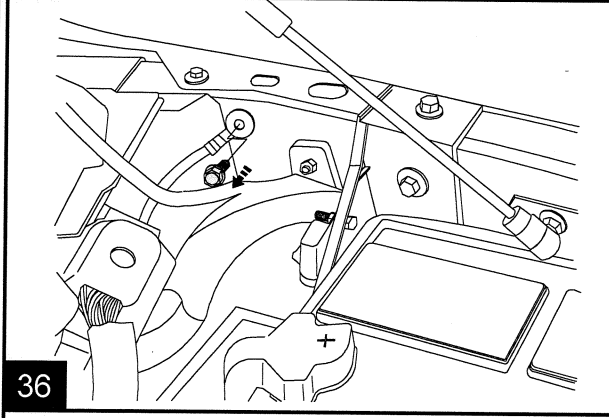
33



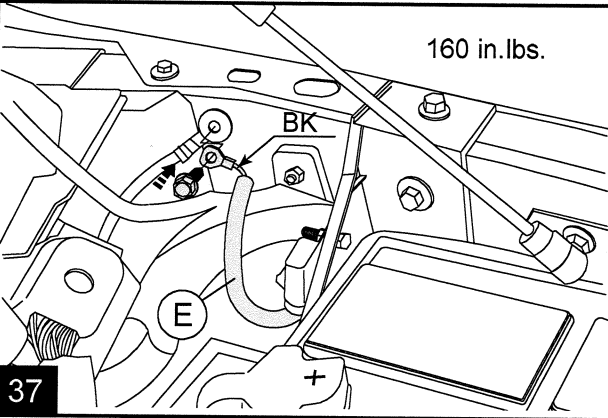
34



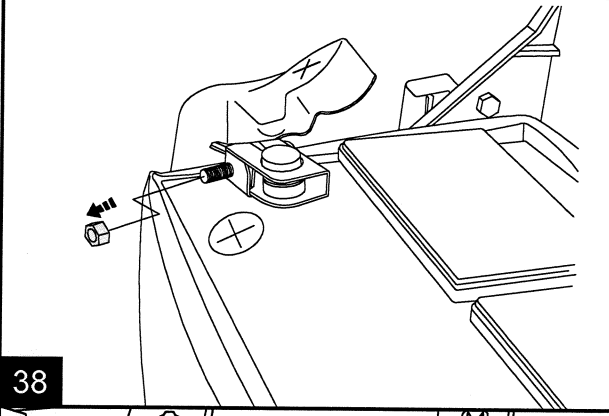
35



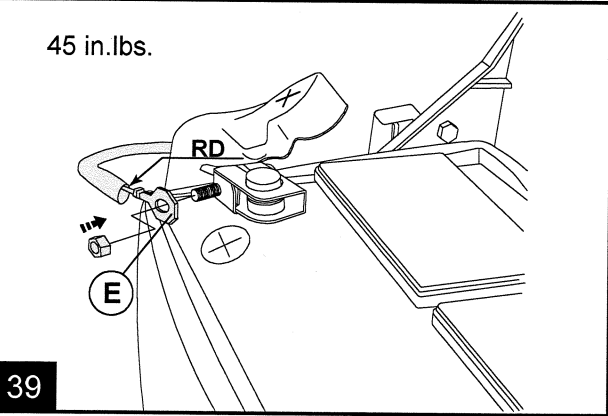
36



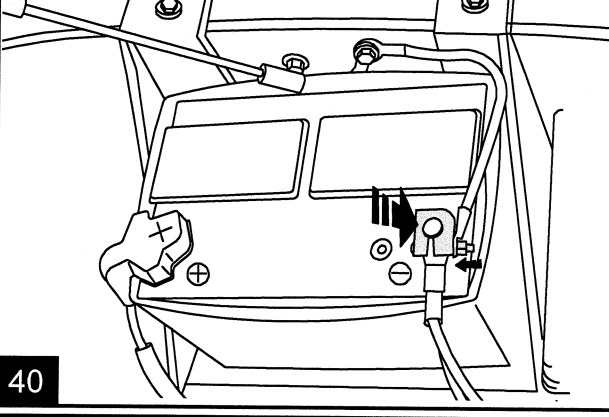
37



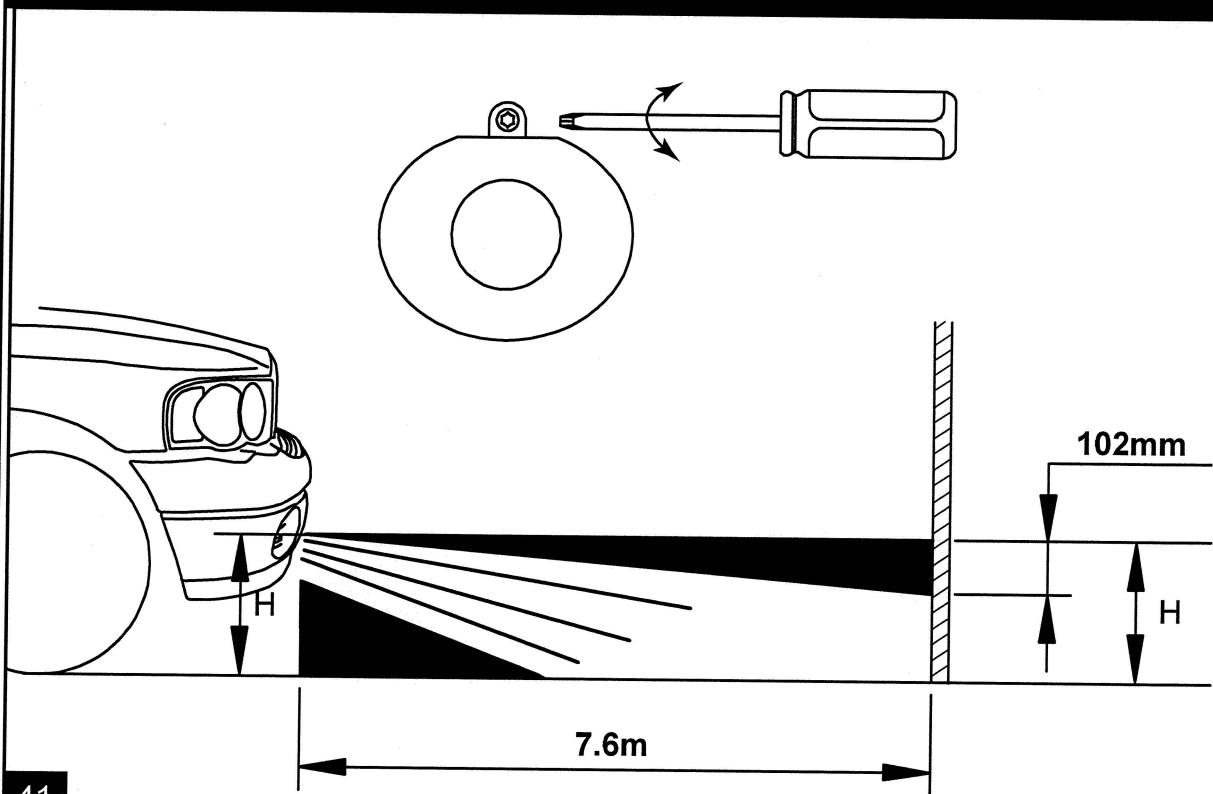
38



39



40



- |  |   |
|--|---|
| Turn on headlamps  | Verify headlamps on                       |
| Switch fog lamps on  | Verify fog lamps on                       |
| Check fog lamp switch bulb   | Verify switch bulb on                     |
| Switch on high beams   | Verify fog lamps turn off with high beams |
| Switch back to low beams   | Verify fog lamps turn on with low beam    |
| Turn off headlamps   |   |
| If fog lamps do not operate as stated above, recheck connections at switch and headlamp. |   |