



DYK11-103

DID YOU KNOW?

ADVICE FOR THE PROFESSIONAL

Inspection Procedure

If, during an alignment check, camber angles are found to be out of specification (see chart below), there are two options available to bring the camber to factory specifications.

Front Camber Adjustment			
	2007-2008	2009-2010	2011
Left	-0.30° ± 0.75°	-0.1 ± 0.75°	-0.04° ± 0.75°
Right	-0.30° ± 0.75°	-0.6 ± 0.75°	-0.54° ± 0.75°

Repair Procedure

Option 1. The factory adjustment method calls for rotation of the strut plate. Rotating the upper strut plate 180 degrees will change the camber +0.5 degrees. This option is time-consuming and difficult.

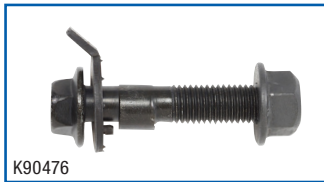
Option 2. Adjust the camber using MOOG Problem Solver cam bolt kit K90476:

After determining the amount of camber adjustment required, safely secure the vehicle and remove the tire/wheel assembly. Remove the top bolt at the lower strut-to-knuckle mount. Replace this bolt, using MOOG cam bolts, part #K90476.

Con't next column

Repair Procedure (con't)

This easy-to-use adjuster provides built-in adjustment over the life of a vehicle just by rotating the head of the bolt. Each kit contains two cam bolt assemblies, enough for both sides of the vehicle, and has an adjustment range from -1.75 to +1.75.

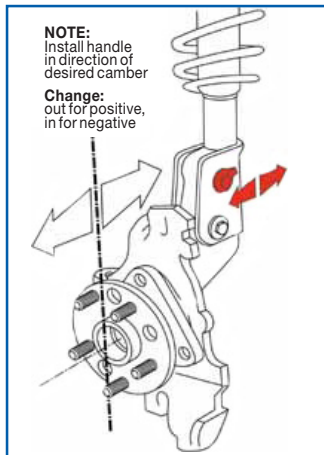


K90476

Install the MOOG cam bolt with the tabbed washer on the head of the bolt. Make sure the inner tab is recessed in the hole, and the other handle on the washer is installed facing out.



Position outer handle towards tire for + camber, or towards engine for - camber.



Con't next column

Repair Procedure (con't)

Install the lock nut and tighten assembly slightly, so the head of the bolt can still be rotated.

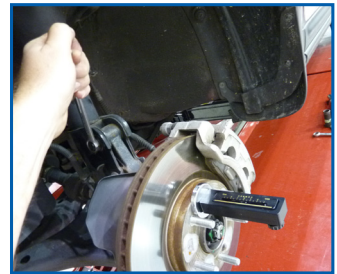
At this point the MOOG camber gauge T40262 may be helpful and save time. Install the camber gauge and set to zero.



T40262

Loosen the lower bolt at the strut mount-to-knuckle location.

Then turn the upper cam bolt head to achieve proper adjustment.



Once proper adjustment has been achieved, tighten the lower and upper bolts to specification per the instruction sheet supplied.

Install the tire/wheel assembly.

Verify vehicle alignment to proper specifications. Camber can be adjusted with tire/wheel assembly on the vehicle, if required, by reaching and adjusting the bolts from underneath the vehicle.