



OWNER'S MANUAL  
**2-DOOR  
TALL CABINET**

MG3024TBC

# LIFE ORGANIZED

Montezuma is committed to helping you succeed in both your work and personal life by being organized, prepared and equipped with the right tools, gear and home supplies at your finger tips.

We are here to ensure that your life is organized.

Thank you for your purchase of this Montezuma 2-Door Tall Cabinet.

## ATTENTION

**TO REDUCE THE RISK OF INJURY, THE USER MUST READ AND UNDERSTAND THIS INSTRUCTION MANUAL BEFORE USING THIS PRODUCT FOR THE FIRST TIME. SAVE THESE INSTRUCTIONS FOR FUTURE REFERENCE.**

Fill in the following information and retain this owner's manual for future reference:

MODEL(S):

DATE OF PURCHASE:

PLACE OF PURCHASE:

RECEIPT NO:

# SPECIFICATIONS

## 2-DOOR TALL CABINET

MG3024TBC

### OVERALL DIMENSIONS:

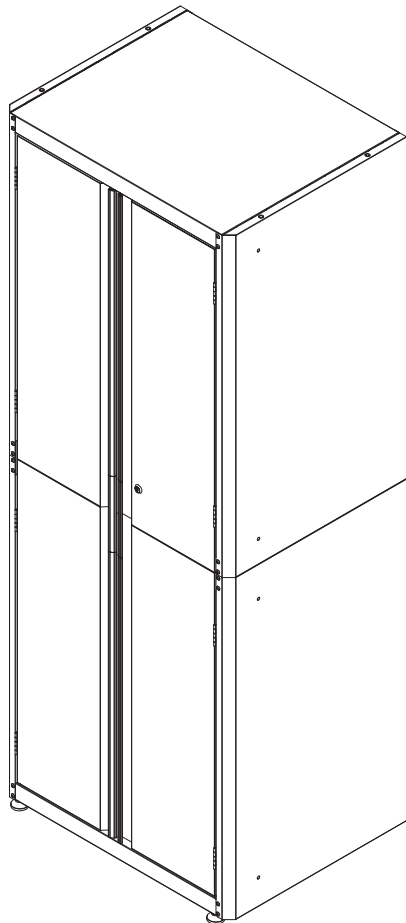
30-1/2" W x 24" D x 80" H

(77.6 cm W x 61 cm D x 203.1 cm H)

NET WEIGHT: 119.1 lb (54 kg)

MAXIMUM SHELF WEIGHT CAPACITY: 100 lb (45 kg)

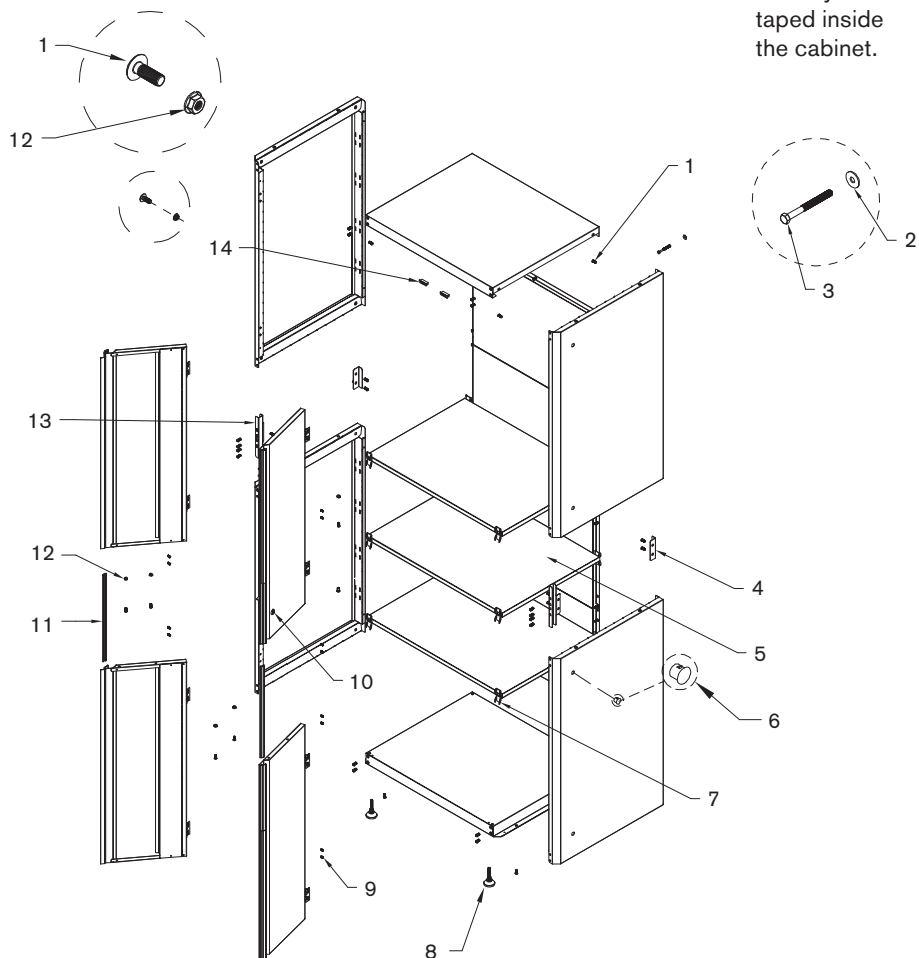
*\* Dimensions do not include adjustable feet.*



# PARTS LIST

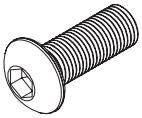


The keys are taped inside the cabinet.



<b>REF</b>	<b>DESCRIPTION</b>	<b>PART NUMBER</b>	<b>QTY</b>
1	M6 x 16 Hex Socket Head Screw	320327	52
2	Washer	324050	3
3	M6 x 65 Hex Tapping Screw	320316	3
4	Bracket	234992	2
5	Shelf	118986	3
6	End Cover	314195	8
7	Shelf Support	226078	12
8	Adjustable Feet	110068	4
9	M4 x 12 Phillips Head Bolt	320202	16
10	Lock and Key	304178	1
11	Door Pull	301915	6
12	M6 Hex Flange Nut	323085	5
13	Stiffener	234991	2
14	Magnet	312033	2

52



**M6 x 16 Hex Socket Head Screw**

- 8 for assembling each side panel (total 16)
- 4 for attaching bottom panel
- 4 for attaching top panel
- 15 for attaching back panels
- 8 for securing front corners
- 4 for assembling the doors
- 1 for attaching unit to other units

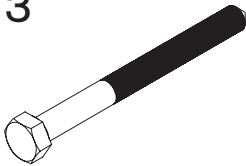
3



**Washer**

For use with M6 x 65 Hex Tapping Screw

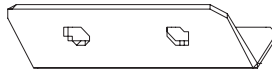
3



**M6 x 65 Hex Tapping Screw**

For securing unit to the wall

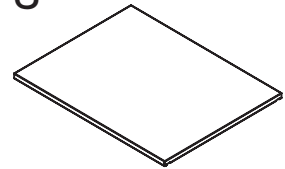
2



**Bracket**

For connecting side panels together

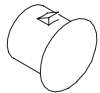
3



**Shelf**

For placing at desired height

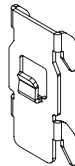
8



**End Cover**

For covering holes for attaching to other units, if not in use

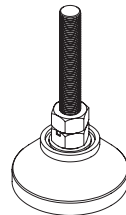
12



**Shelf Support**

For supporting adjustable shelves

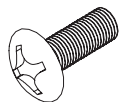
4



**Adjustable Feet**

For attaching to bottom panel

16



**M4 x 12 Phillips Head Bolt**

For hanging doors

1



**Lock and Key**

For securing your valuables

6



**Door Pull**

For connecting door panels together. Makes two door pulls with three pieces each.

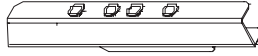
5



**M6 Hex Flange Nut**

For use with M6 x 16 hex Socket Head Screw when assembling the doors and attaching to other units

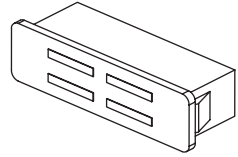
2



**Stiffener**

For connecting side panels together

2



**Magnet**

Pre-installed  
For keeping doors closed

# ASSEMBLY

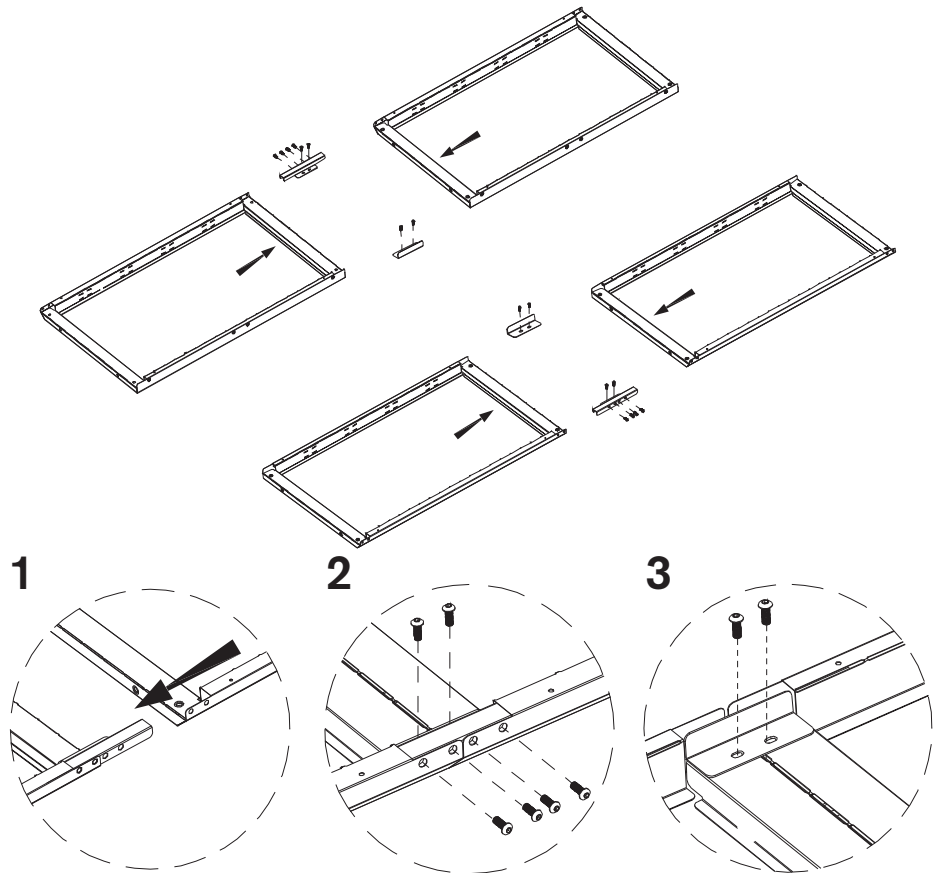
Visit [www.montezumastorage.com](http://www.montezumastorage.com) to watch the how-to video.

**NOTE:** To assemble this unit, you will require a screwdriver for M4 x 12 Phillips head bolts.

Assemble the side panels.

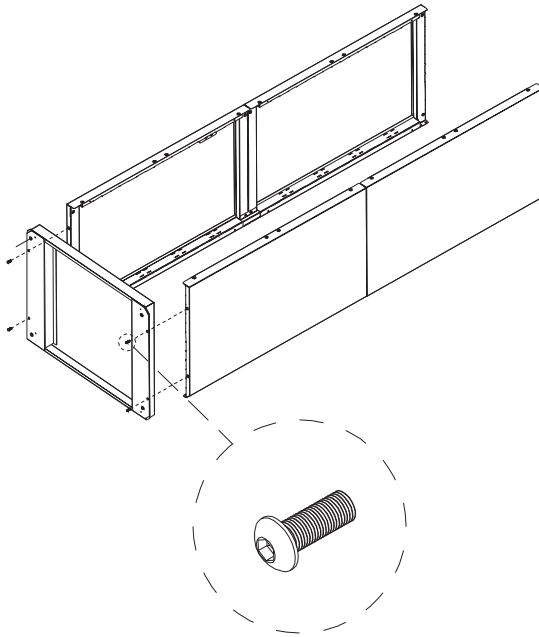
1. Insert a stiffener to connect two panels together on one side.
2. On the same side as the stiffener, attach the two panels together using six M6 x 16 hex socket head screws.
3. On the other side of the panels, attach a bracket using two M6 x 16 hex socket head screws.

Repeat for the other two side panels.

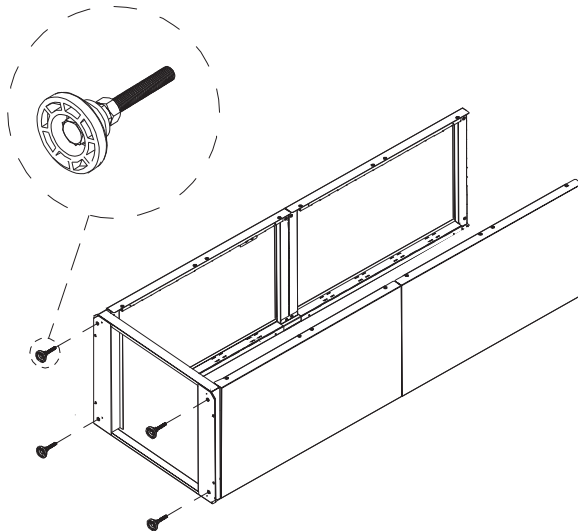




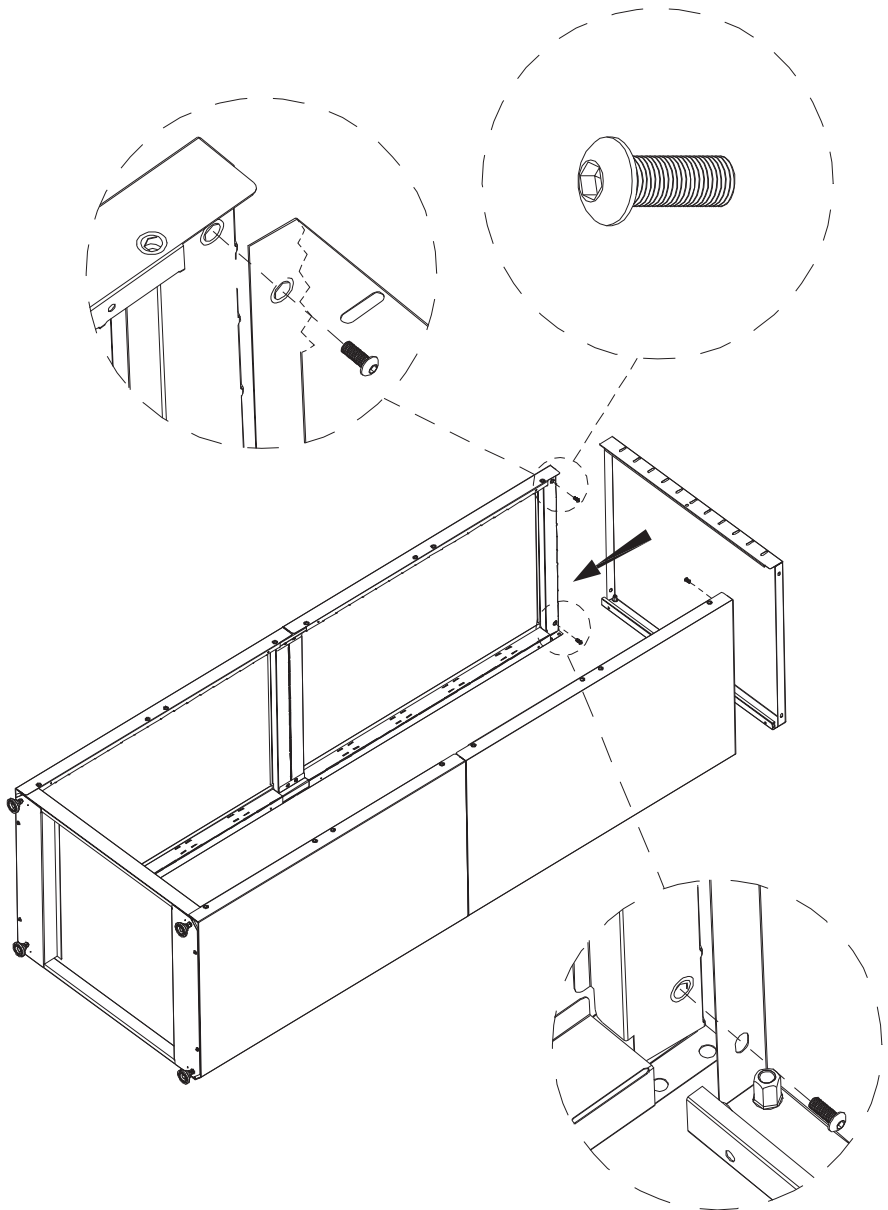
Place assembled side panels on their side with stiffener sides facing in. Attach the bottom panel to the side panels using four M6 x 16 hex socket head screws.



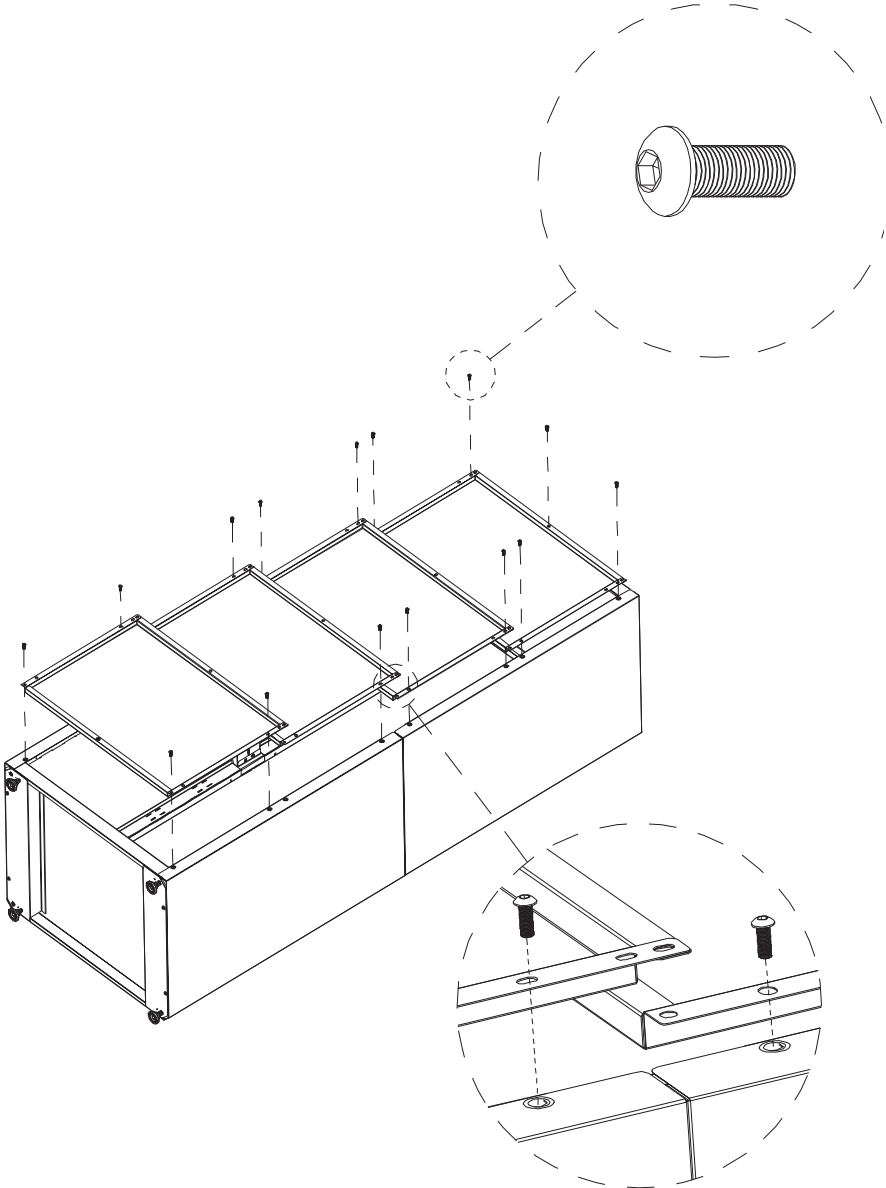
Screw the four adjustable feet into the cabinet bottom.



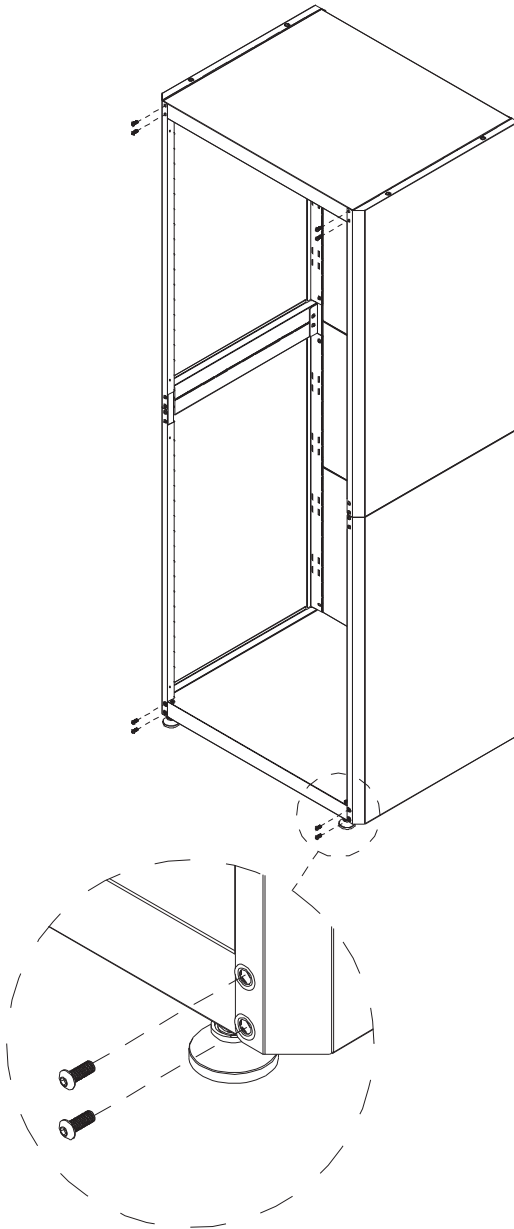
Attach the top panel using four M6 x 16 hex socket head screws.



Place the four back panels on the back of the cabinet, starting at the top and working down. Attach using fifteen M6 x 16 hex socket head screws.



Secure the front corners of the cabinet with eight M6 x 16 hex socket head screws.

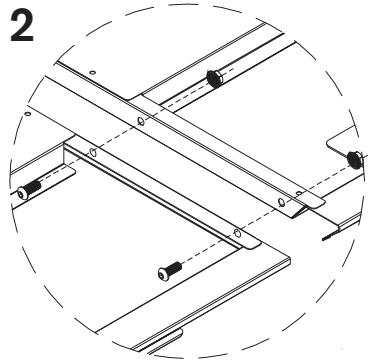
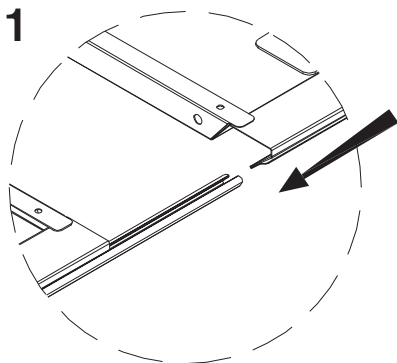
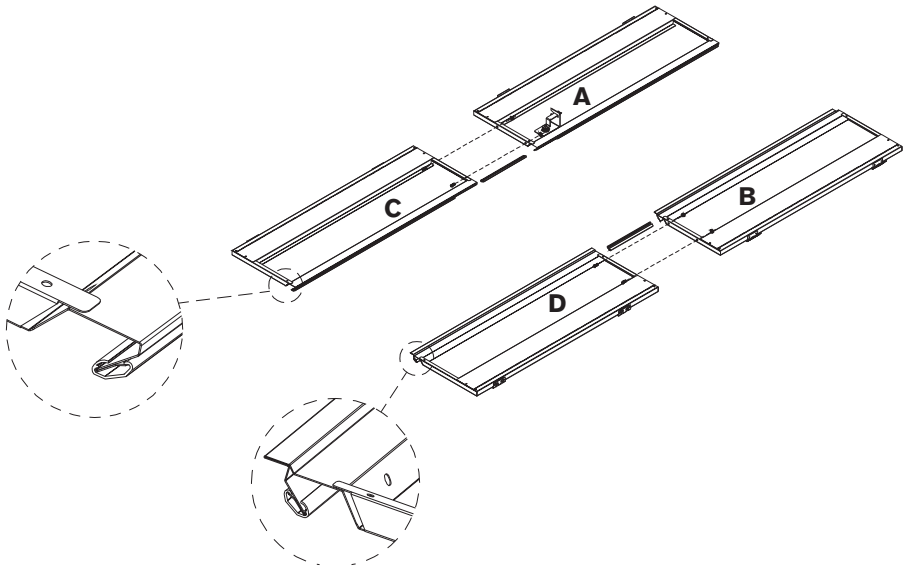


Assemble the doors.

NOTE: Panel B connects to Panel D, which has a doorstop at the bottom. Panel A connects to panel C, which does not have a doorstop at the bottom.

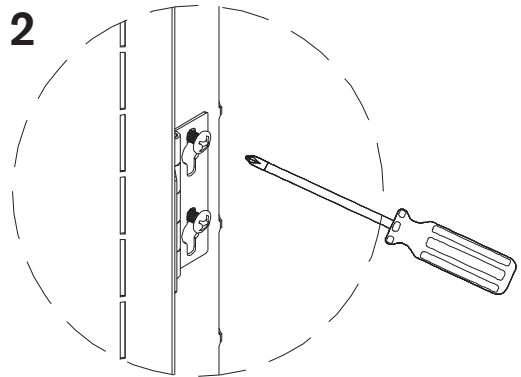
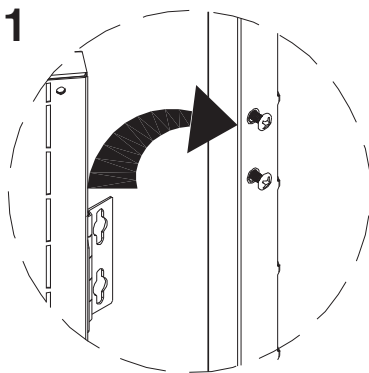
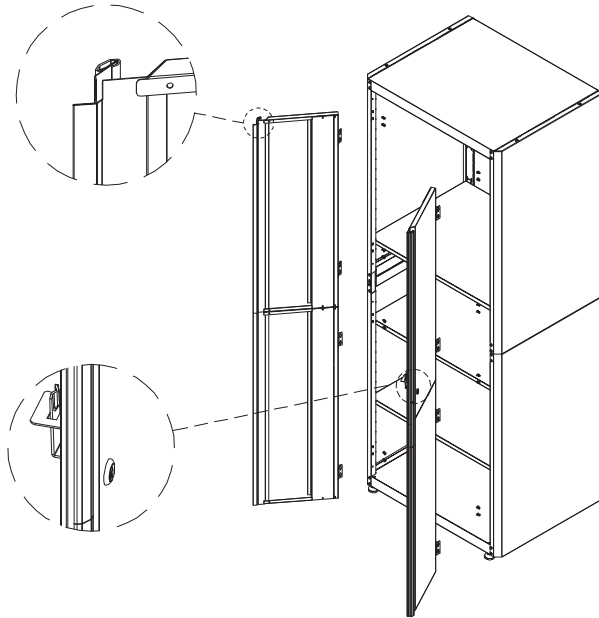
1. Insert a middle door pull to connect two panels together on one side.
2. Attach the two panels together using four M6 x 16 hex socket head screws and M6 hex flange nuts.

Repeat for the other door.



Install the door with the doorstop on the left hand side. Install the door with the lock on the right hand side, with the lock on the top.

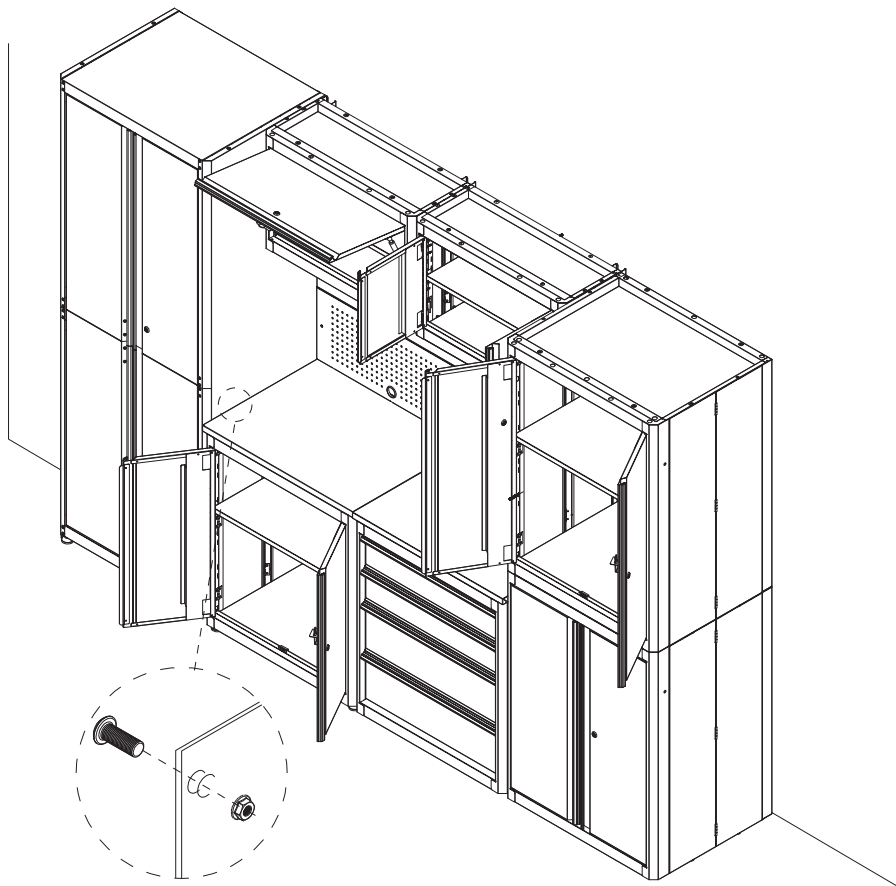
1. Partially screw eight M4 x 12 Phillips head bolts into the cabinet. Hang the door on the screws.
  2. Tighten the screws.
- Repeat for the other door.



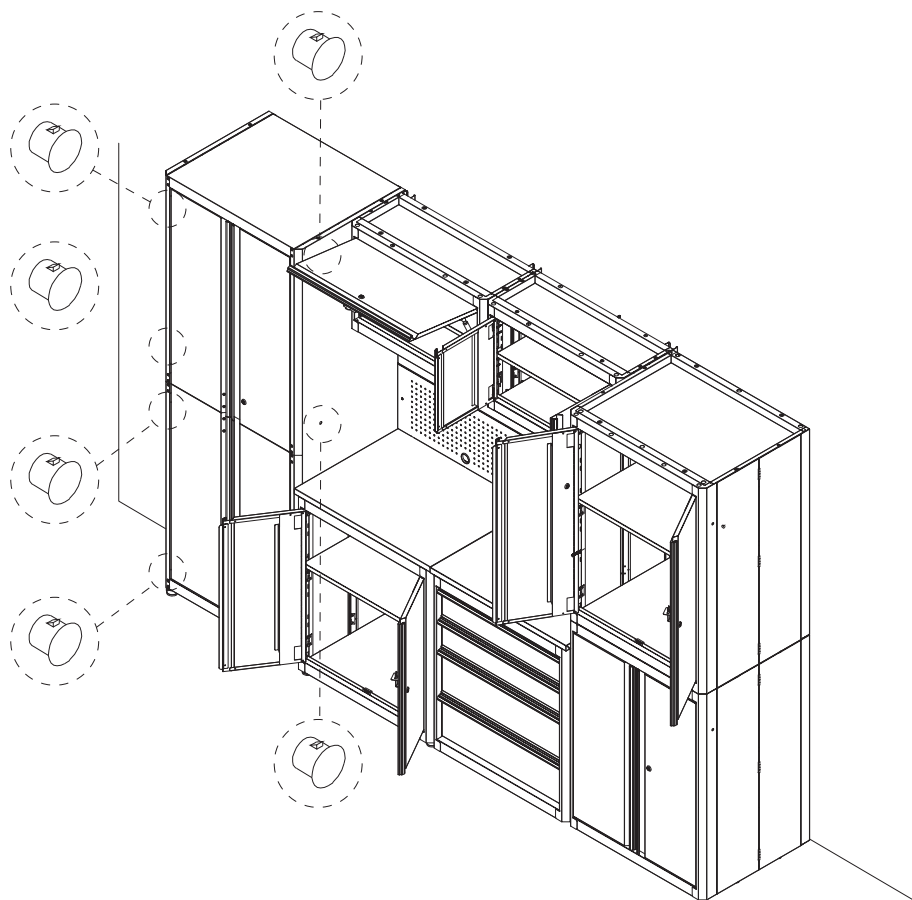
# INSTALLATION

If you have purchased other units, assemble them now, then put all units together to build your garage.

For a better appearance, attach units together using a M6 x 16 hex socket head screw and M6 hex flange nut. Holes are located at the top front side of each unit.



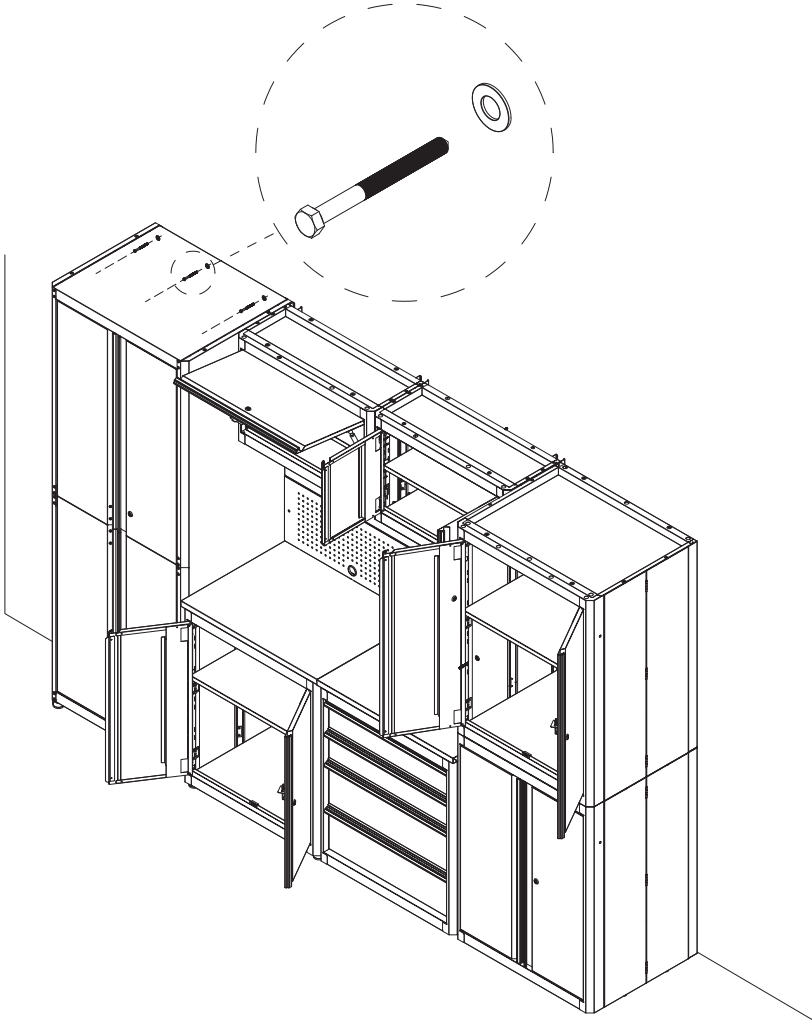
Hide holes on the exterior ends of the units with the supplied end covers, if necessary.





For safety, secure the tops of the each unit to the wall using three M6 x 65 hex tapping screws and washers.

For best results, mount to studs or other solid surfaces. Do not mount to drywall as it will not support the required weight and poses a danger if mounted incorrectly.



# MAINTENANCE

Periodically clean the door fronts, trim, and other surfaces with mild detergent and water.

Grease and oil can be removed with most standard cleaning fluids. For safety, use a nonflammable cleaning fluid.

# SAFETY

Use two people to move the units into place. Failure to do so can result in back or other injuries.

DO NOT leave children unattended near the garage storage system.

DO NOT stand on this product or lean on the work surface.

DO NOT alter this product in any manner. For example, do not weld external lock bars or attach electrical equipment. This may cause product damage or personal injury.

Close and lock the doors before moving this product. The doors could come open and make the product unstable and tip, which may cause personal injury or product damage.

Keep the product on level surfaces. The product could become unstable and tip if stored or moved on an uneven surface, which may cause personal injury or product damage.

# Montezuma<sup>®</sup>

LIFE ORGANIZED

