

The background is a stylized, semi-transparent illustration of a car's interior, showing the dashboard, steering wheel, and seats. A white robot hand with black joints is positioned on the left, holding a silver laptop. The laptop is mounted on a silver, adjustable stand that is attached to the car's interior. The entire scene is set against a dark grey background with a bright orange curved border at the top and bottom.

Mobotron

VERSATILE LAPTOP & iPad STAND

**Specially Designed For Cars and Trucks
Perfect For Mobile Office and Traveling**

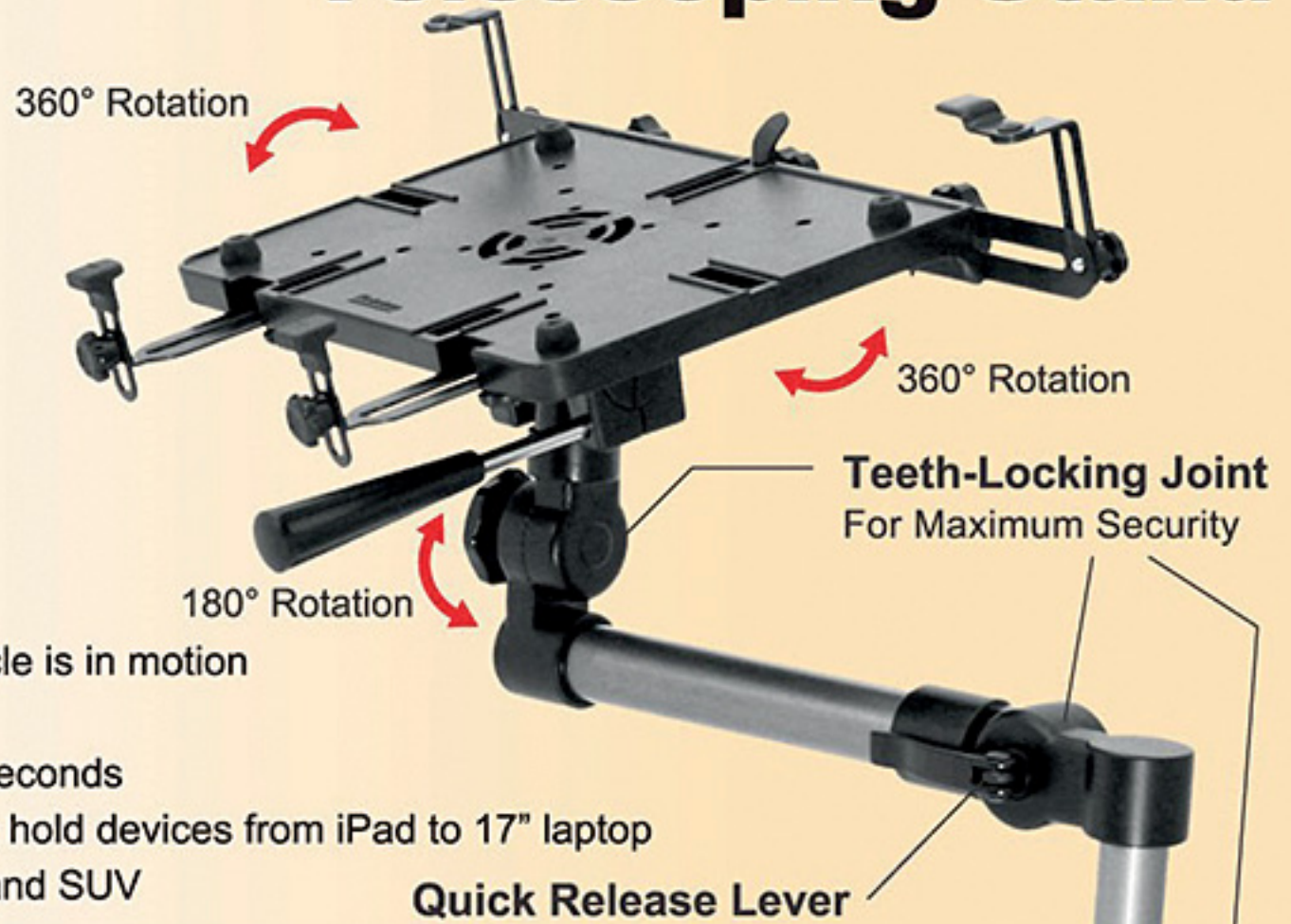


AgileTek Corporation

MOBOTRON SERIES

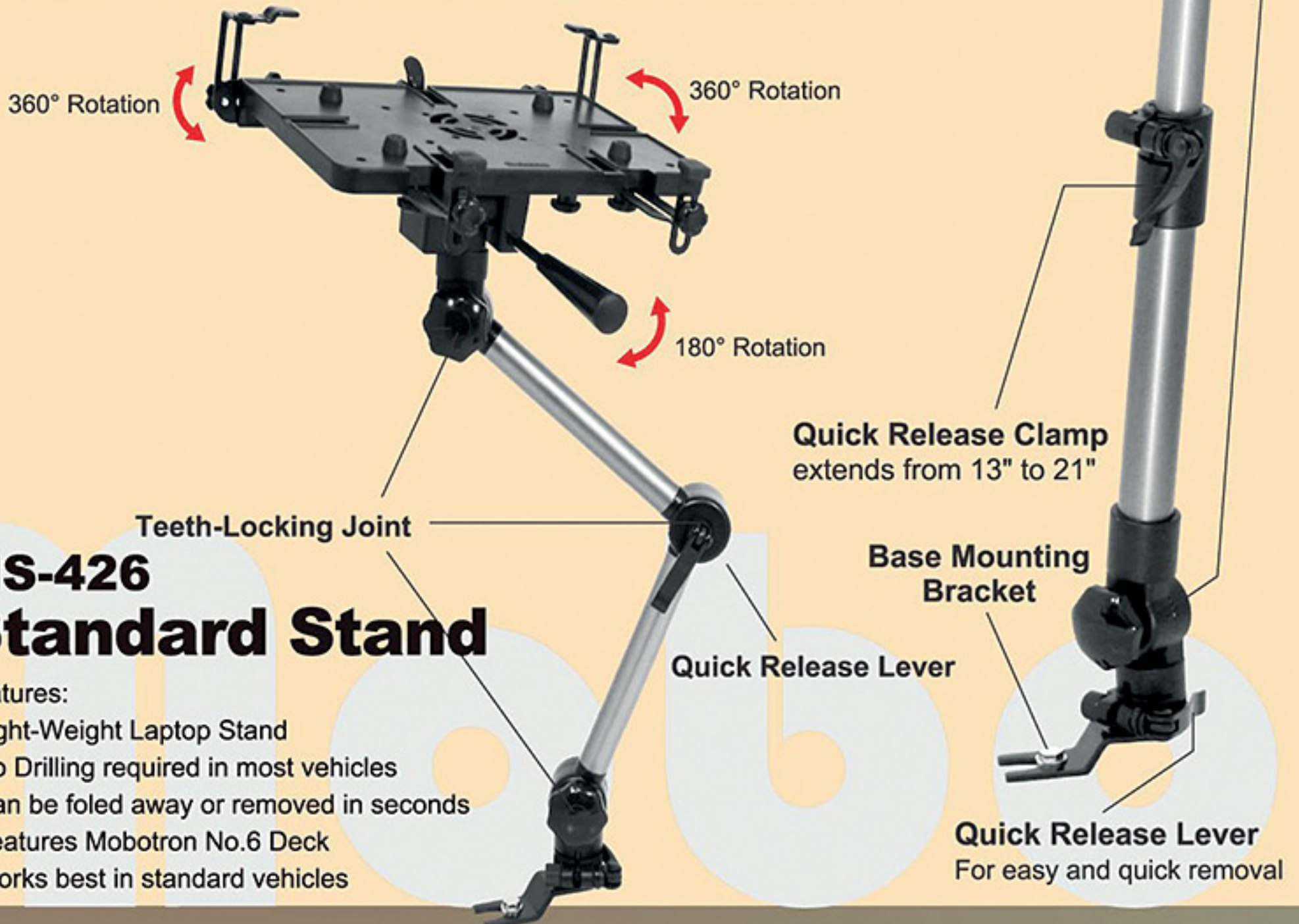
Best In-Car Holder for Your Laptop, iPad, Netbook, Tablet, and More!

MS-526 Heavy-Duty Telescoping Stand



Features:

- Securely holds laptop when the vehicle is in motion
- No-Drilling required in most vehicles
- *Can be folded away or removed in seconds
- Uses Mobotron No.6 Deck which can hold devices from iPad to 17" laptop
- Works in all vehicles including truck and SUV



MS-426 Standard Stand

Features:

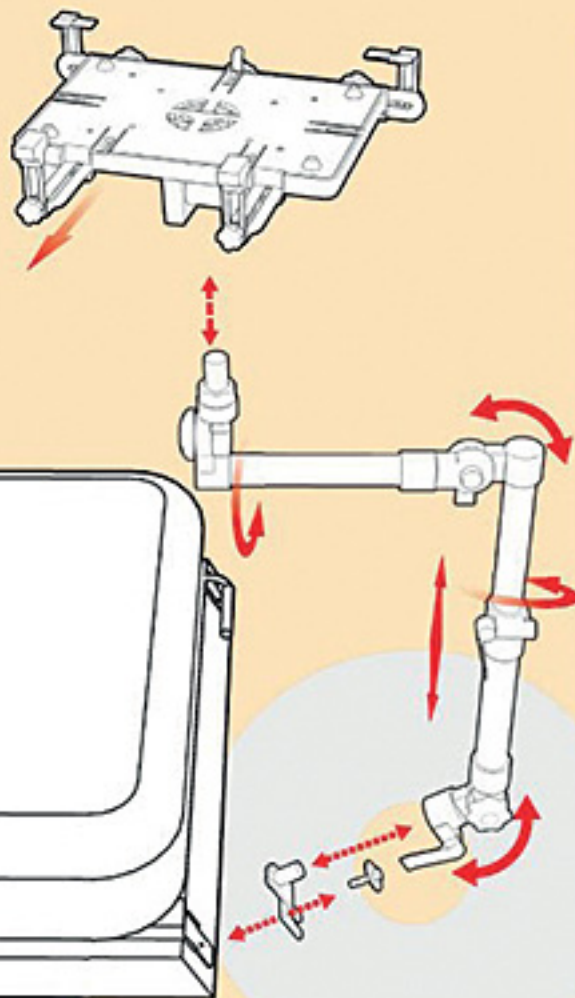
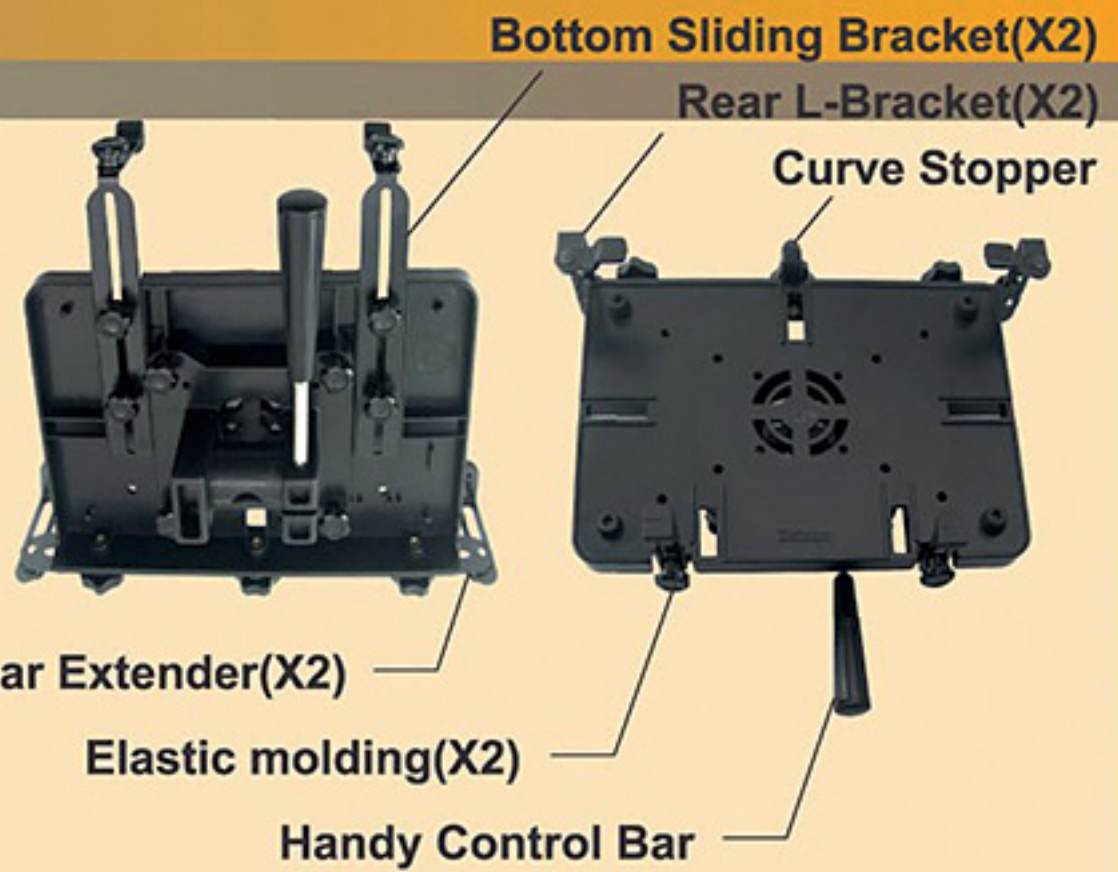
- Light-Weight Laptop Stand
- No Drilling required in most vehicles
- Can be foled away or removed in seconds
- Features Mobotron No.6 Deck
- Works best in standard vehicles

Super-Grip Holding Deck No.6

Devices such as iPad & Laptops from 9.7" to 17".

Features:

- Four cushions on the deck to protect your laptop when the vehicle is in motion
- Adjustable sliders can fit devices from 9.7" to 17"
- iPad, iPad2 & New iPad compatible



Item/ Function	MS-426	MS-526
Deck Size	10.6"x7.5"/270x190 mm	10.6"x7.5"/270x190 mm
Stand Tube Size	Standard OD 23 mm	Heavy-Duty OD 30 mm
Recommended Weight Capacity Parked/ In Motion	17.6lb/8.8lb; 8kgs/4kgs	26.4lb/11lb; 12kgs/5kgs
Holding Range (L x W x H)	Min. 215 x 188 x 6mm Max. 392 x 292 x 27mm	
Recommended Device Size	9.7"~ 17"	9.7"~ 17"
Suggested Use In	Mid-Duty/ Small Car	Heavy-Duty
USB Cooling Fan (CF-110)	Optional	Optional
Screen Stabilizer (SS-104)	Optional	Optional
Small-Device Holding Kit (IP-103)	Optional	Optional
Telescoping Support Brace (SA-102)	Optional (B)	Optional (A)

MH-111S LCD Monitor Holder

- Holds 14"~22" LCD Monitor up to 10 Kgs.
- Meets VESA screen mounting standard (75x75mm/100x100mm)



TP-109K Tripod Kit for Laptop & Camera

- Features Mobotron No.6 Deck, holding iPad or laptop up to 17".
- Comes with pan-head camera holder. Great for photographer or video recording professionals.
- Tripod carrying case is included.



SA-102 Telescoping Support Arm

- Provides additional stability to laptop mount
- Features Easy Twist-Extendable mechanism
- Comes in two lengths and two clamp sizes, fits to MS-526 or MS-426.



CF-110 USB Cooling Fan

- Optional accessory for MS-526 and MS-426
- Compatible with Mobotron No.6 deck
- Protect electronic devices from overheating



SS-104 Screen Stabilizer

- Supplies as optional for MS-526 & MS-426
- Provides extra stability for laptop screen



FM-101 Universal Floor-Mount

- A practical mounting option (drilling onto car floor is required) in case under-seat bolt is not accessible.
- Optional item for MS-526 & MS-426.



IP-103 Small-Device Holding Kit

- Useful add-on means for holding small devices on No.6 Decktop.
- Secure gripping from 4 sides along 5 slots at deck.



CC-105 Adjustable C-Clamp

- Unique multi-hole fixing selection for wide range of clamping thickness at 8mm~72mm.
- Optional accessories for MS-526 & MS-426 enabling easy mounting to edge of table/wall etc.



Hand-free View Stand

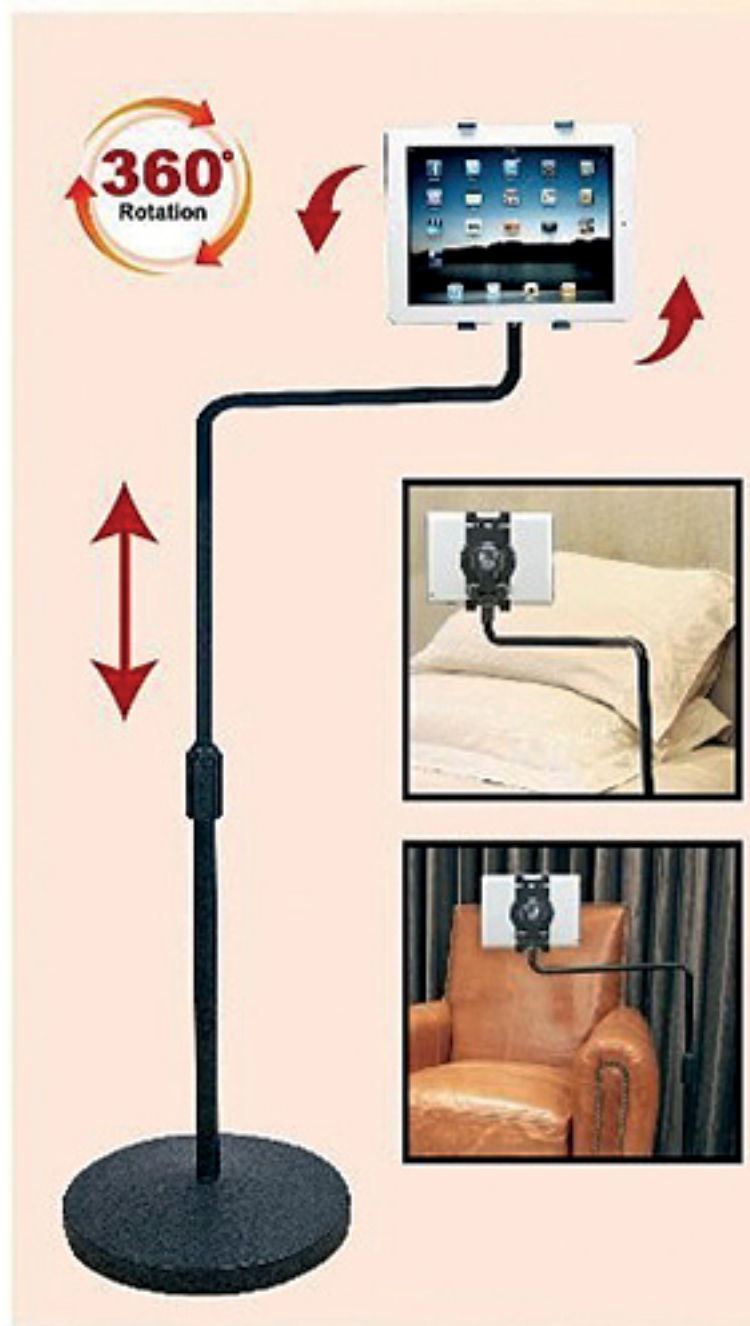
Universal holder rotates 360°/tilts 90° for easy viewing position

Tablet holder can be adjusted 16.8~20cm (6.61"~7.87")

Fits All iPad & Most 6.5"~10" Tablets

Model MH-207

Telescoping Floor Stand
with Handy Swivel L-Arm



*Height of stand adjustable
88~130cm (34.64"~51.18")

*Arm extends 35cm (13.8")
sideways on swivel post

*Stable weighted base

Model MH-208

Telescoping Desk Clamp Stand
with Handy Swivel L-Arm



*Height of stand adjustable
43.5~48.5cm (17.13"~19.1")

*Arm extends 35cm (13.8")
sideways on swivel post

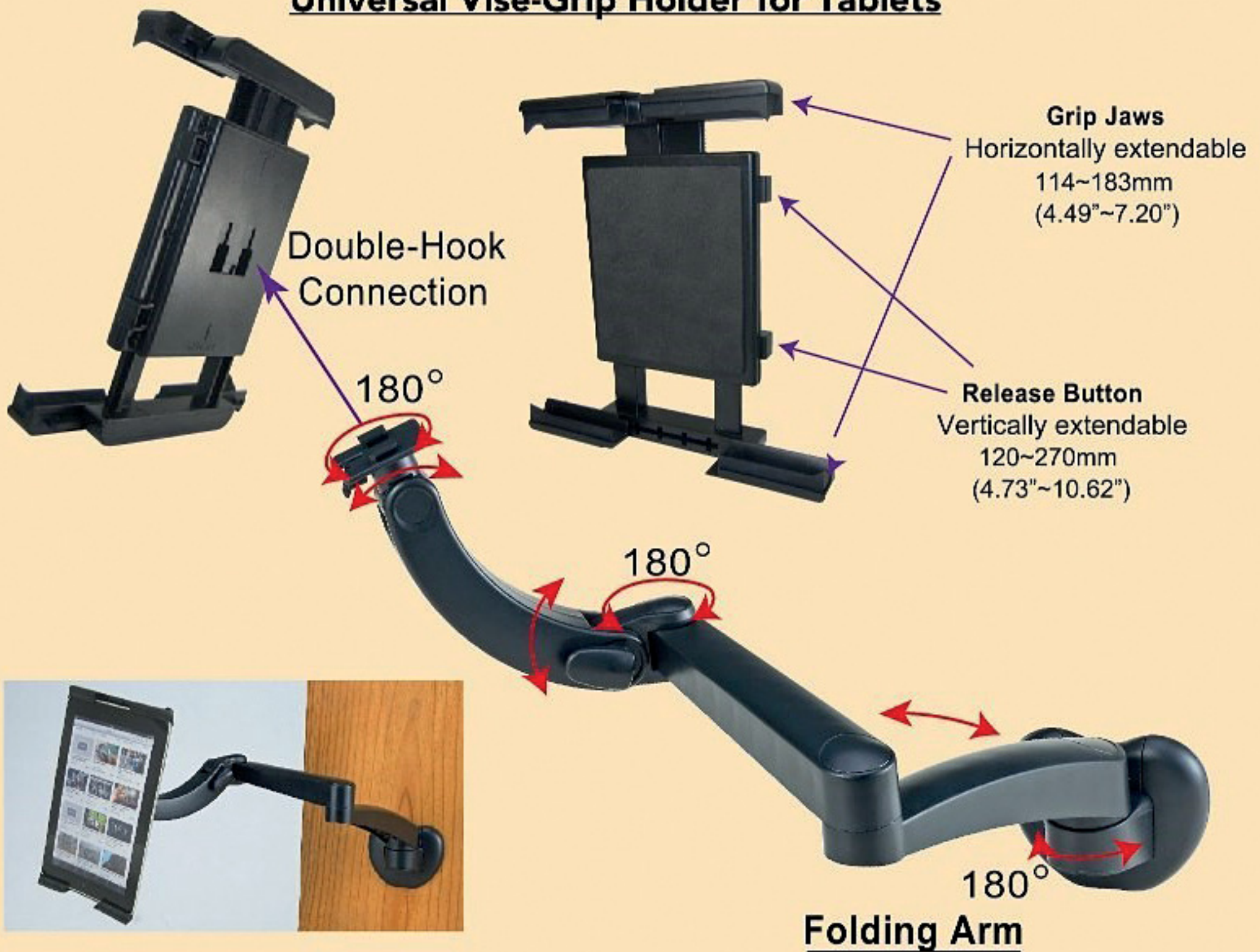
*The clamp can fit up to a
60cm (2.36") thick board

Universal Wall-Mount Tablet Holder

Fits All iPad[®], Most 6.5"~12" Tablets & 5"~up Smartphones
Easy Pull-up/ Fold-back Design

Model MH-209

Universal Vise-Grip Holder for Tablets



- * Universal folding arm design with joints and pivots for free rotation and up-down adjustments for wall mount.
- * Great flexibility in moving and viewing of your tablet.
- * Universal Vise-Grip Holder featuring spring-loaded quick-clamping arms with extendable upper/lower grip jaws, capable of holding most tablets & large smart phones.

Indoor Series

Mobotron

Universal Tablet View Stand

For All iPad® & Most Tablets



AgileTek Corporation

- iPad is not included.
- iPad is a trademark of Apple Inc.

Mobotron Indoor Series

Fits All iPad & Most 6.5"~10" Tablets

Universal Tablet Stand

Model MH-201



Handheld and spin



Vertical / horizontal views with angles



Hanging



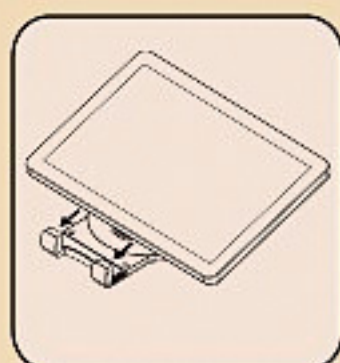
Headrest-Mount in the vehicle

- * Rotates 360°
- * Adjustable view angle
- * Easy to attach and detach
- * Tablet holder adjustable 168~200mm (6.61"~7.87")
- * Lightweight, portable and wide angle adjustment
- * Usage: portable handheld, desktop, hanging and in-car headrest holding

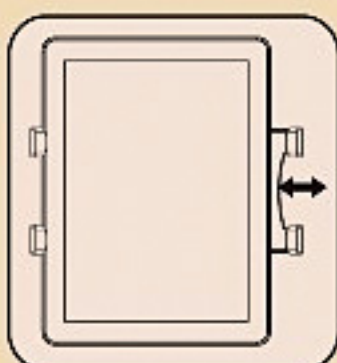
Universal Tablet Station

Fits All iPad & Most 6.5"~10 Tablets

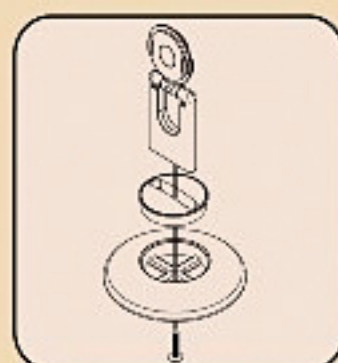
Model MH-202



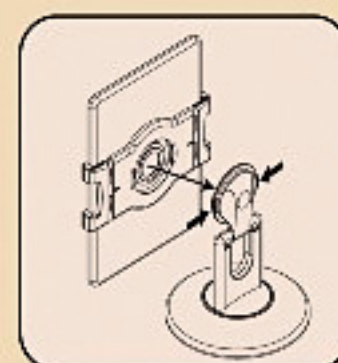
Place tablet on one side of bracket



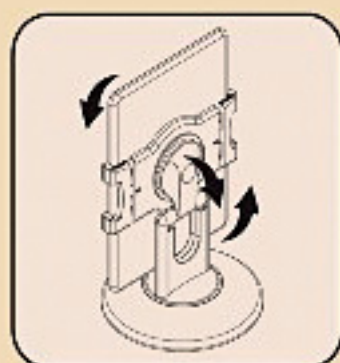
Pull open the bracket over the tablet and release



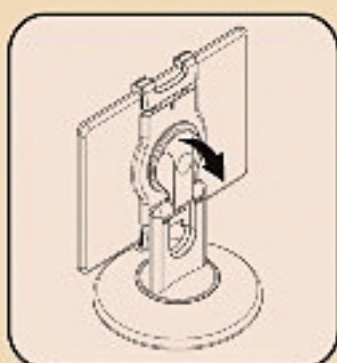
Assemble stand parts onto the base with a screw.



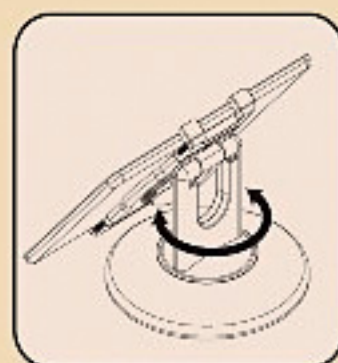
Attach, press and release, spin it to secure it's in position



Vertical view with angle adjustments



Horizontal view with angle adjustments



Reversible view and pivots 360



Comfortable typing

* Easy to attach and detach

* Tablet holder can be adjusted 168~200mm (6.61"~7.87")

Hand-Free View Stand Telescoping Floor Stand

Fits All iPad & Most 6.5" ~ 10 Tablets

Model MH-206



- * Ergonomic hand-free design offers relaxed viewing and computing
- * Height adjustable between 94~147cm (37"~57.9")
- * Tablet holder rotates 360° allowing portrait or landscape views
- * Tablet holder tilts 180° with angle adjustment
- * Tablet holder can be adjusted 16.8~20.0cm (6.61"~7.87")
- * Stable weighted base