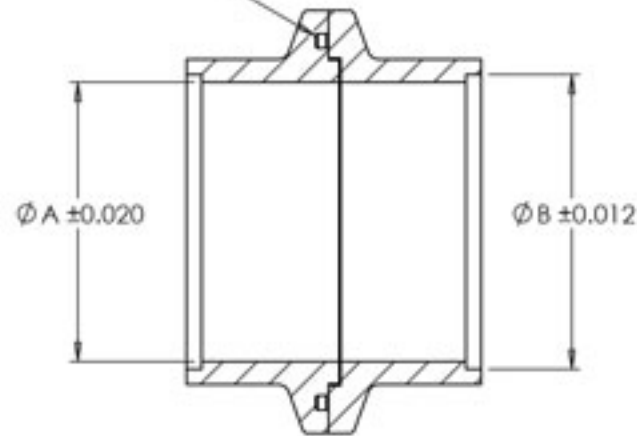


MISHIMOTO

O-RING GROOVE ONLY PRESENT
ON ALUMINUM FLANGE SETS



SKU	NOMINAL CLAMP SIZE	FLANGE MATERIAL	FLANGE INSIDE DIAMETER (A)	PIPE GROOVE DIAMETER (B)
MMCLAMP-VS-15	1.5"	STAINLESS STEEL	1.453"	1.531"
MMCLAMP-VS-175	1.75"	STAINLESS STEEL	1.701"	1.780"
MMCLAMP-VS-2	2"	STAINLESS STEEL	1.953"	2.031"
MMCLAMP-VS-25	2.5"	STAINLESS STEEL	2.453"	2.531"
MMCLAMP-VS-3	3"	STAINLESS STEEL	2.953"	3.031"
MMCLAMP-VS-35	3.5"	STAINLESS STEEL	3.453"	3.531"
MMCLAMP-VA-25	2.5"	ALUMINUM	2.441"	2.520"
MMCLAMP-VA-3	3"	ALUMINUM	2.941"	3.020"
MMCLAMP-VA-35	3.5"	ALUMINUM	3.441"	3.520"
MMCLAMP-VA-4	4"	ALUMINUM	3.941"	4.020"

Discover other performance engine cooling on our website.