



SERVICE PARTS LIST

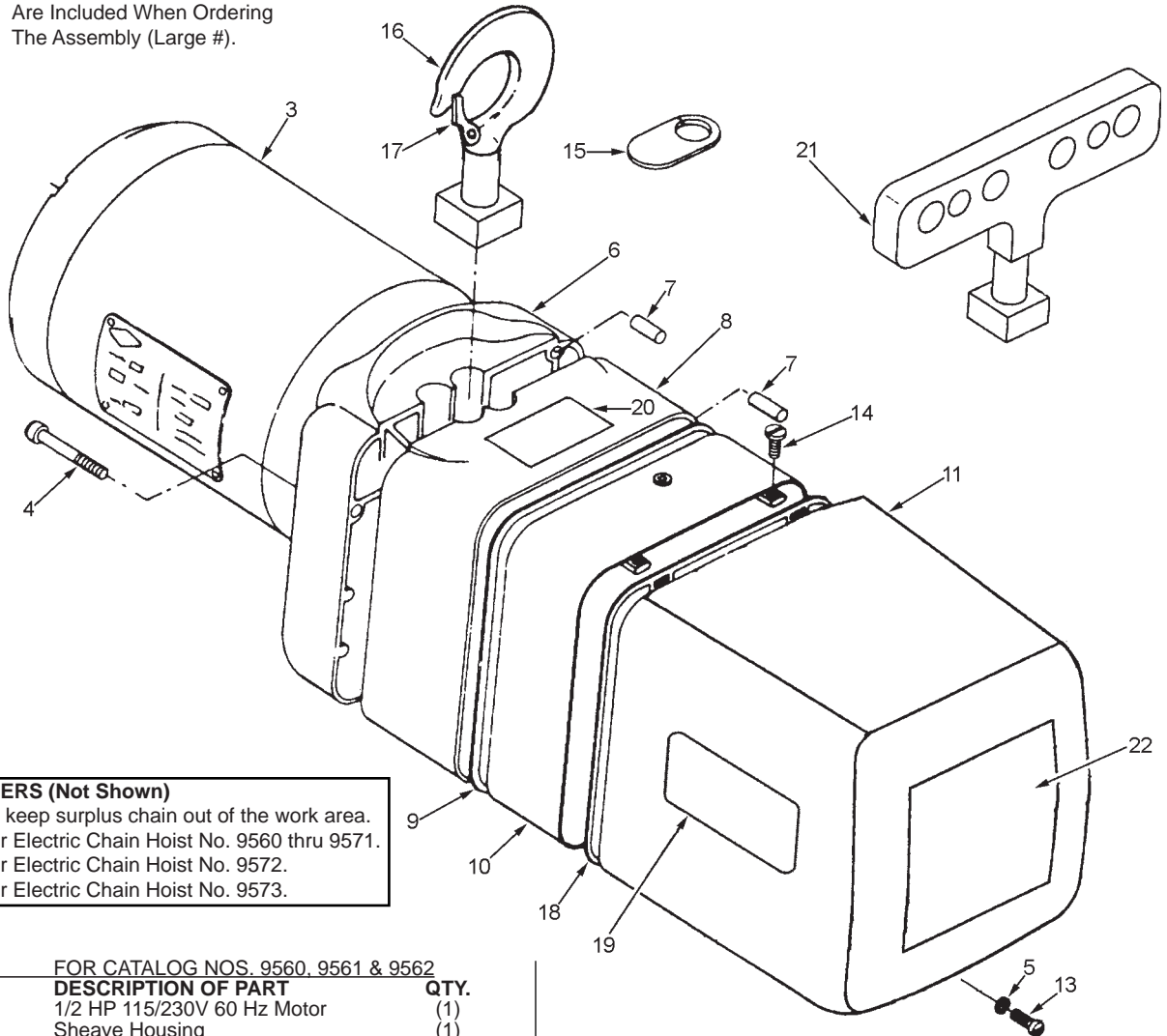
**BULLETIN NO.
54-02-1202**

| | | | |
|--|--|--|------------|
| SPECIFY CATALOG NO. AND SERIAL NO. WHEN ORDERING PARTS | | REVISED BULLETIN | DATE |
| ELECTRIC CHAIN HOISTS | | | |
| CAT. NOS. | 9560, 9561, 9562, 9565, 9566, 9567, 9568, 9570, 9571, 9572, 9573 | SERIAL PREFIX | JLC |
| | | WIRING INSTRUCTION See back page | |

EXAMPLE:

00 0

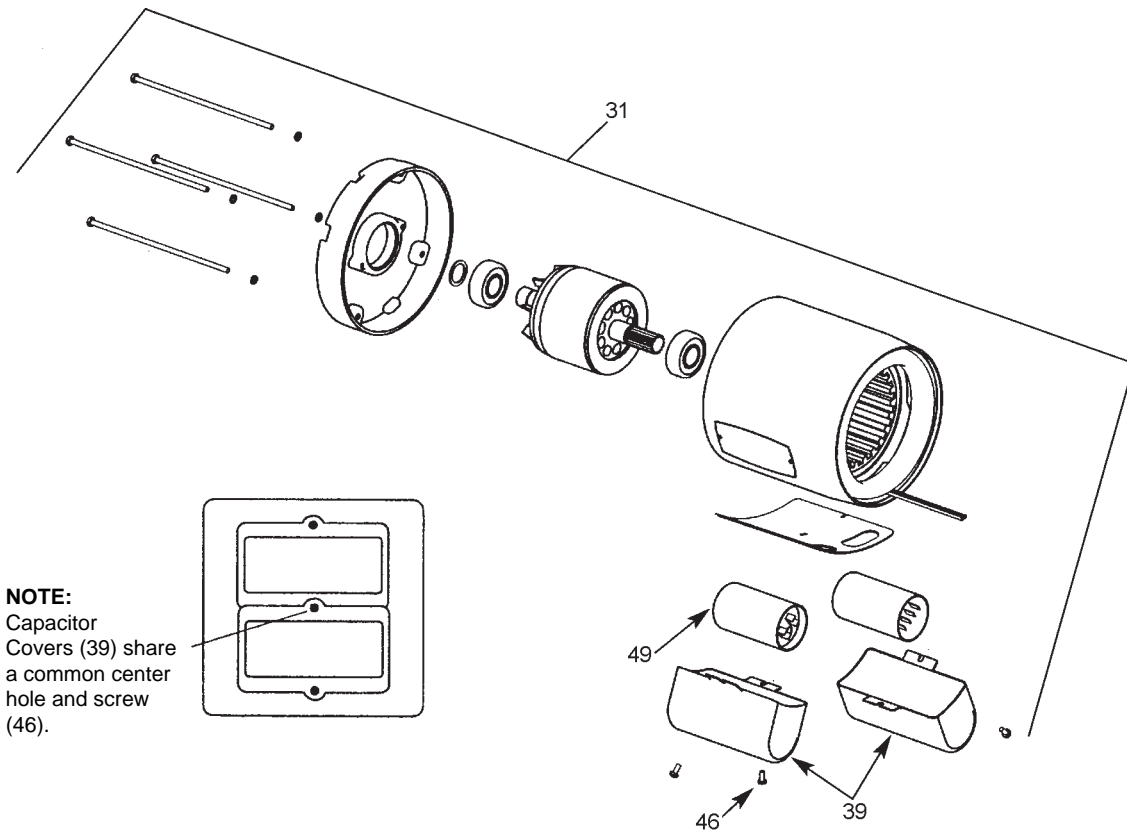
Component Parts (Small #)
Are Included When Ordering
The Assembly (Large #).



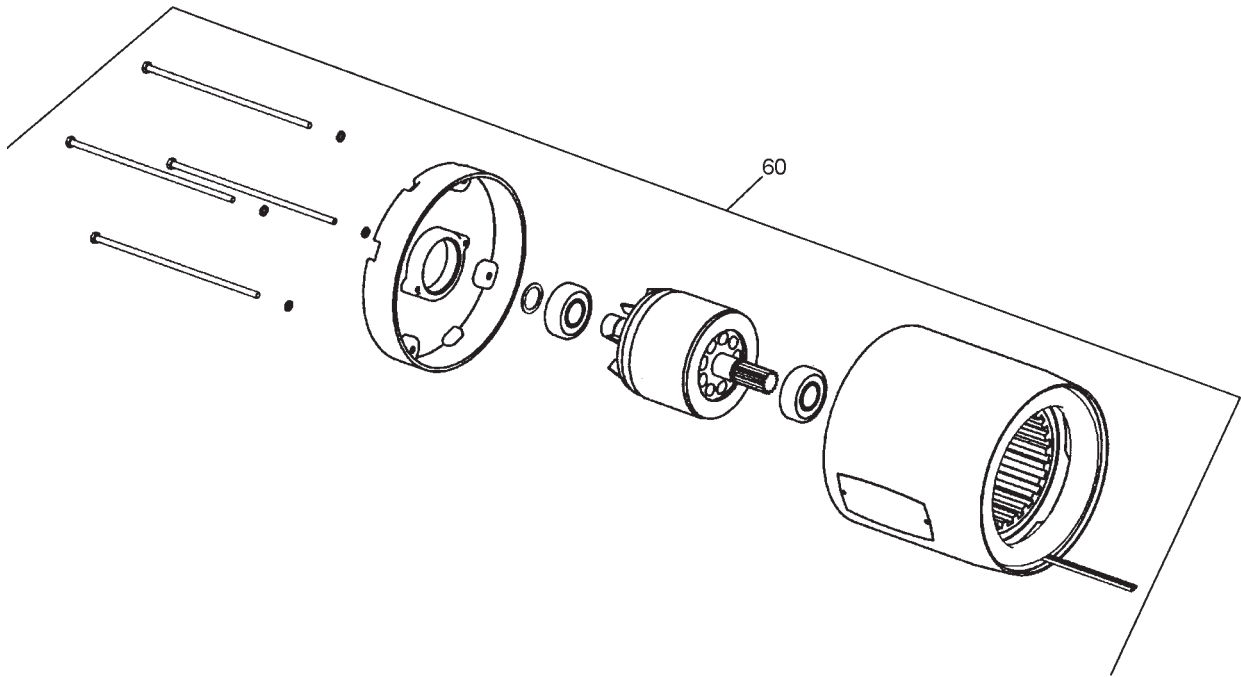
CHAIN CONTAINERS (Not Shown)
Recommended to keep surplus chain out of the work area.
48-12-0111 For Electric Chain Hoist No. 9560 thru 9571.
48-12-0112 For Electric Chain Hoist No. 9572.
48-12-0113 For Electric Chain Hoist No. 9573.

| FIG. | PART NO. | DESCRIPTION OF PART | QTY. |
|---|------------|-----------------------------|------|
| <u>FOR CATALOG NOS. 9560, 9561 & 9562</u> | | | |
| 3 | 23-30-0500 | 1/2 HP 115/230V 60 Hz Motor | (1) |
| 6 | 43-76-0470 | Sheave Housing | (1) |
| 8 | 43-76-0480 | Gear Housing | (1) |
| 22 | 10-37-0040 | Capacity Label | (1) |
| <u>FOR CATALOG NOS. 9565, 9567 & 9568</u> | | | |
| 3 | 23-30-0505 | 1 HP 115/230V 60 Hz Motor | (1) |
| 6 | 43-76-0510 | Sheave Housing | (1) |
| 8 | 43-76-0490 | Gear Housing | (1) |
| 22 | 10-37-0050 | Capacity Label | (1) |
| <u>FOR CATALOG NO. 9566</u> | | | |
| 3 | 23-30-0510 | 1 HP 230/460V 3 Phase Motor | (1) |
| 6 | 43-76-0510 | Sheave Housing | (1) |
| 8 | 43-76-0490 | Gear Housing | (1) |
| 22 | 10-37-0050 | Capacity Label | (1) |
| <u>FOR CATALOG NOS. 9570, 9572 & 9573</u> | | | |
| 3 | 23-30-0505 | 1 HP 115/230V 60 Hz Motor | (1) |
| 6 | 43-76-0510 | Sheave Housing | (1) |
| 8 | 43-76-0490 | Gear Housing | (1) |
| 22 | 10-37-0060 | Capacity Label | (1) |
| <u>FOR CATALOG NO. 9571</u> | | | |
| 3 | 23-30-0510 | 1 HP 230/460V 3 Phase Motor | (1) |
| 6 | 43-76-0510 | Sheave Housing | (1) |
| 8 | 43-76-0490 | Gear Housing | (1) |
| 22 | 10-37-0060 | Capacity Label | (1) |

| FIG. | PART NO. | DESCRIPTION OF PART | QTY. |
|------|------------|------------------------------|------|
| 4 | 06-95-5710 | Washer Head Hex Screw | (4) |
| 5 | 06-97-4000 | 1/4" Split Ring Lockwasher | (1) |
| 7 | 06-65-3515 | 1/4" x 3/4" Dowel Pin | (2) |
| 9 | 43-44-0820 | Gear Case Gasket | (1) |
| 10 | 42-92-0665 | Gear Box Cover | (1) |
| 11 | 22-68-0225 | Cover - Electrical | (1) |
| 13 | 06-81-0080 | Cover Screw | (1) |
| 14 | 06-95-0338 | 10-24 x 1/2" Pan Hd. Taptite | (2) |
| 15 | 42-92-1340 | Hook Hole Cover | (1) |
| 16 | 14-36-0140 | Hook Assembly w/Latch | (1) |
| 17 | 14-47-0145 | Latch Kit | (1) |
| 18 | 43-44-0830 | Cover Gasket | (1) |
| 19 | 10-37-0070 | Milwaukee Label | (2) |
| 20 | 10-98-6590 | Warning Label | (1) |
| 21 | 43-92-5084 | Lug Assembly (Includes #15) | (1) |

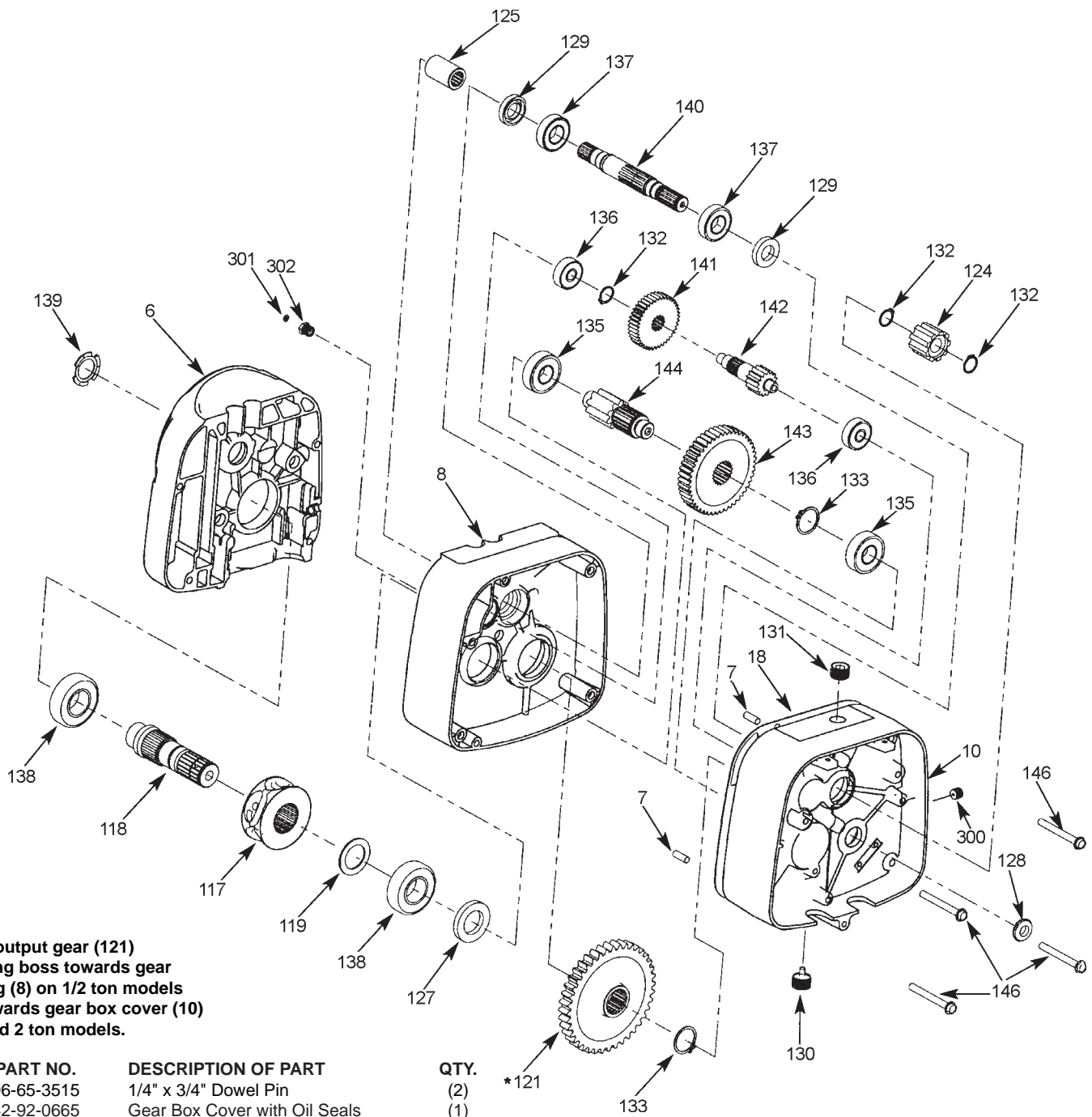


| FIG. | PART NO. | DESCRIPTION OF PART | QTY. |
|---|------------|-----------------------------|------|
| 49 | 23-66-2505 | Sinpac Switch | (1) |
| <u>FOR CATALOG NOS. 9560, 9561 & 9562</u> | | | |
| 31 | 23-30-0500 | 1/2 HP 115/230V 60 Hz Motor | (1) |
| <u>FOR CATALOG NOS. 9565, 9567, 9568, 9570, 9572 & 9573</u> | | | |
| _31 | 23-30-0505 | 1 HP 115/230V 60 Hz Motor | (1) |



FOR CATALOG NOS. 9566 & 9571

| FIG. | PART NO. | DESCRIPTION OF PART | QTY. |
|------|------------|------------------------------|------|
| _60 | 23-30-0510 | 1 HP 230/460V, 3 Phase Motor | (1) |



*** NOTE:**
 Orient output gear (121)
 with long boss towards gear
 housing (8) on 1/2 ton models
 and towards gear box cover (10)
 on 1 and 2 ton models.

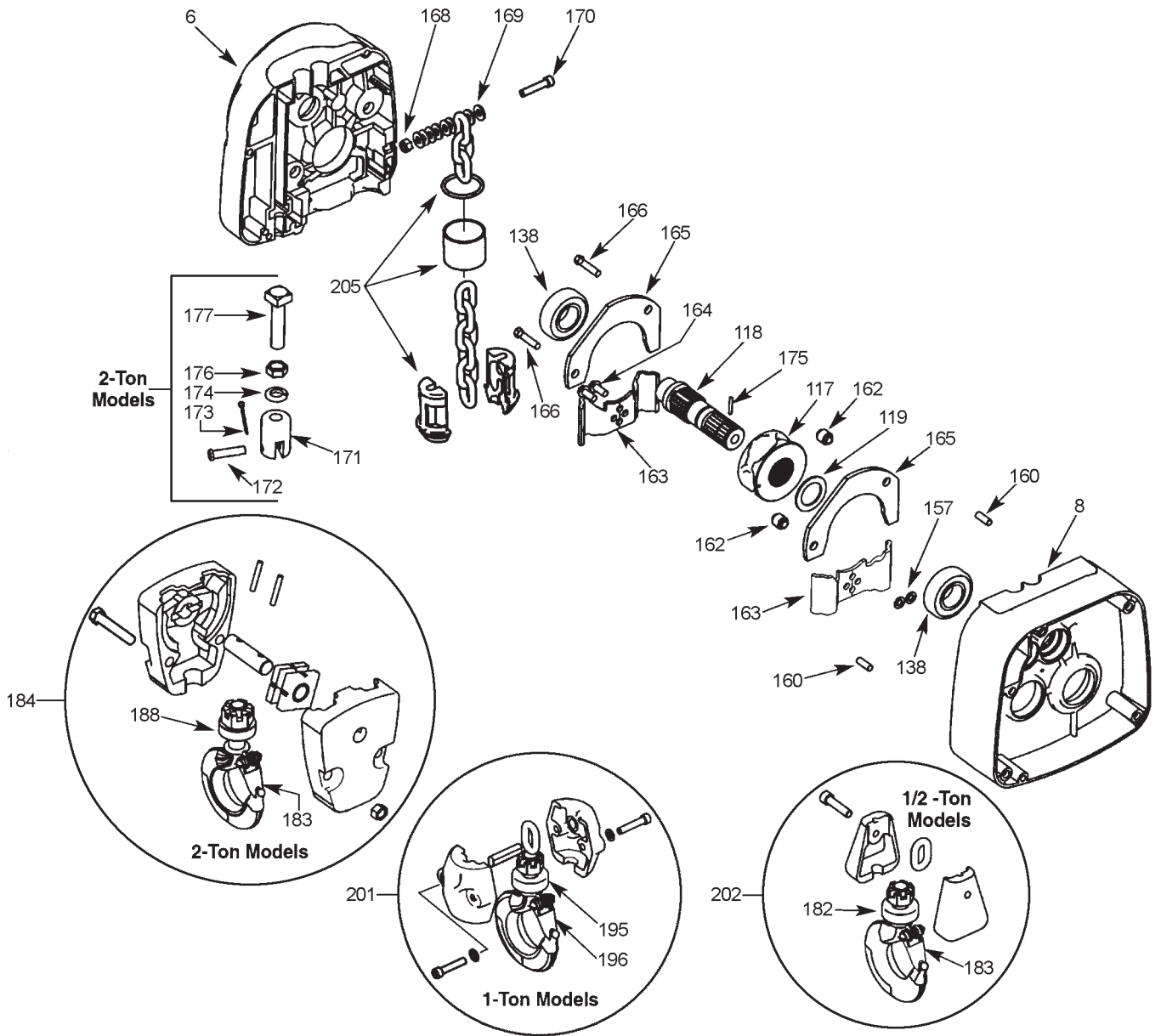
| FIG. | PART NO. | DESCRIPTION OF PART | QTY. |
|------|------------|-------------------------------|------|
| 7 | 06-65-3515 | 1/4" x 3/4" Dowel Pin | (2) |
| 10 | 42-92-0665 | Gear Box Cover with Oil Seals | (1) |
| 18 | 43-44-0830 | Cover Gasket | (1) |
| 118 | 36-50-0010 | Load Shaft | (1) |
| 124 | 42-04-3570 | Adapter | (1) |
| 125 | 42-90-0240 | Motor Coupling | (1) |
| 127 | 45-06-0400 | Oil Seal | (1) |
| 128 | 45-06-0410 | Oil Seal | (1) |
| 129 | 45-06-0420 | Oil Seal | (2) |
| 130 | 44-68-0530 | Drain Plug 3/8" N.P.T. | (1) |
| 131 | 44-68-0590 | Oil Fill Plug | (1) |
| 132 | 34-60-1400 | Retaining Ring | (3) |
| 133 | 34-60-2480 | Retaining Ring | (2) |
| 135 | 02-04-1765 | Ball Bearing | (2) |
| 136 | 02-04-1030 | Ball Bearing | (2) |
| 137 | 02-04-1705 | Ball Bearing | (2) |
| 138 | 02-04-2300 | Ball Bearing | (2) |
| 139 | 40-50-8100 | Bearing Spring | (1) |
| 140 | 32-60-2320 | Input Pinion | (1) |
| 141 | 32-60-2325 | High Speed Gear | (1) |
| 144 | 32-60-2340 | Output Pinion | (1) |
| 145 | 50-08-7642 | 24oz. Lubricant | (1) |
| 146 | 06-95-5710 | Hex Washer Head Screw | (4) |
| 300 | 44-68-0600 | Oil Level Check Plug | (1) |
| 301 | 34-40-4560 | O-Ring | (1) |
| 302 | 43-33-0530 | Pressure Relief Fitting | (1) |

FOR CATALOG NOS. 9560, 9561 & 9562

| FIG. | PART NO. | DESCRIPTION OF PART | QTY. |
|------|------------|-----------------------------|------|
| 6 | 43-76-0470 | Sheave Housing | (1) |
| 8 | 43-76-0480 | Gear Housing with Oil Seals | (1) |
| 117 | 45-11-0110 | Load Sheave | (1) |
| 121 | 32-60-2310 | Output Gear | (1) |
| 142 | 32-60-2330 | Intermediate Speed Pinion | (1) |
| 143 | 14-08-0150 | Overload Clutch Assembly | (1) |

FOR CATALOG NOS. 9565, 9566, 9567, 9568,
 9570, 9571, 9572 & 9573

| FIG. | PART NO. | DESCRIPTION OF PART | QTY. |
|------|------------|-----------------------------|------|
| 6 | 43-76-0510 | Sheave Housing | (1) |
| 8 | 43-76-0490 | Gear Housing with Oil Seals | (1) |
| 117 | 45-11-0120 | Load Sheave | (1) |
| 119 | 45-36-1340 | Chain Spacer | (1) |
| 121 | 32-60-2315 | Output Gear | (1) |
| 142 | 32-60-2335 | Intermediate Speed Pinion | (1) |
| 143 | 14-08-0160 | Overload Clutch Assembly | (1) |



| FIG. | PART NO. | DESCRIPTION OF PART | QTY. |
|------|------------|--|------|
| 118 | 36-50-0010 | Load Shaft | (1) |
| 138 | 02-04-2300 | Ball Bearing | (2) |
| 160 | 06-65-3515 | Dowel Pin 1/4" x 3/4" | (4) |
| 162 | 45-36-1350 | Chain Guide Spacer | (2) |
| 164 | 06-95-0095 | 1/2"-20 x 5/8" Hex Hd. Thd Form. Scrw. | (2) |
| 166 | 06-95-5647 | 1/4"-20 x 1-1/8" Thread Forming Screw | (2) |
| 168 | 06-57-6070 | Dead End Nut | (1) |
| 169 | 45-88-5220 | 1/4" Flat Washer | (8) |
| 170 | 06-81-0090 | Dead End Screw | (1) |
| 171 | 45-60-0490 | Chain Support | (1) |
| 172 | 44-60-1030 | Chain Support Pin | (1) |
| 173 | 44-60-1040 | Cotter Pin | (1) |
| 174 | 06-97-4200 | 1/2" Split Ring Lockwasher | (1) |
| 175 | 06-65-1535 | Roll Pin 1/8" x 3/4" | (1) |
| 176 | 06-57-7520 | 1/4"-20 Jam Nut | (1) |
| 177 | 45-04-0780 | Chain Support Screw | (1) |

FOR CATALOG NOS. 9560, 9561 & 9562

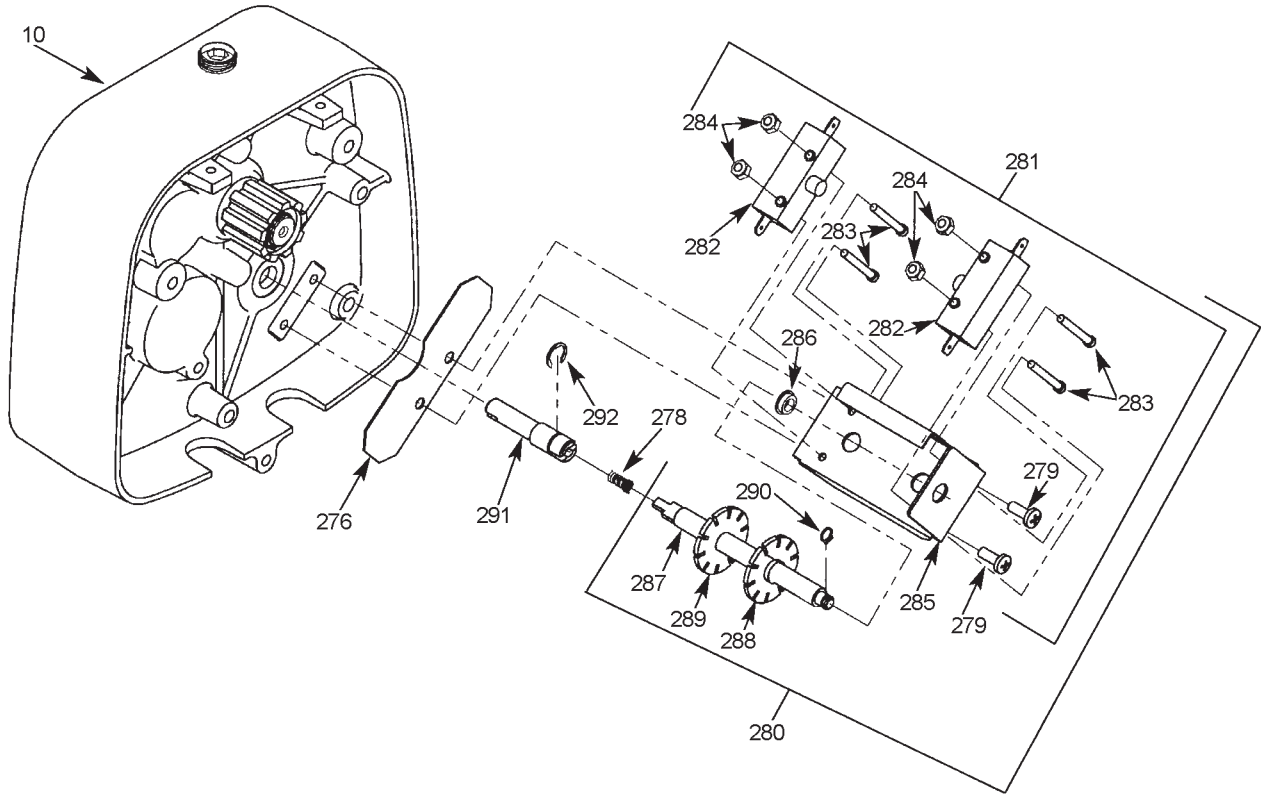
| FIG. | PART NO. | DESCRIPTION OF PART | QTY. |
|------|------------|------------------------------|------|
| 6 | 43-76-0470 | Sheave Housing | (1) |
| 8 | 43-76-0480 | Gear Housing | (1) |
| 117 | 45-11-0110 | Load Sheave | (1) |
| 118 | 06-97-2600 | Washer | (2) |
| 163 | 43-56-0440 | Chain Guide | (2) |
| 165 | 44-66-5655 | Chain Guide Plate | (2) |
| 182 | 14-36-0180 | Bottom Hook w/Latch Assembly | (1) |
| 183 | 14-47-0590 | Latch Kit | (1) |
| 202 | 14-47-0630 | Load Block Kit | (1) |
| 205 | 14-47-1245 | End Stop Kit | (1) |

FOR CATALOG NOS. 9565, 9566, 9567 & 9568

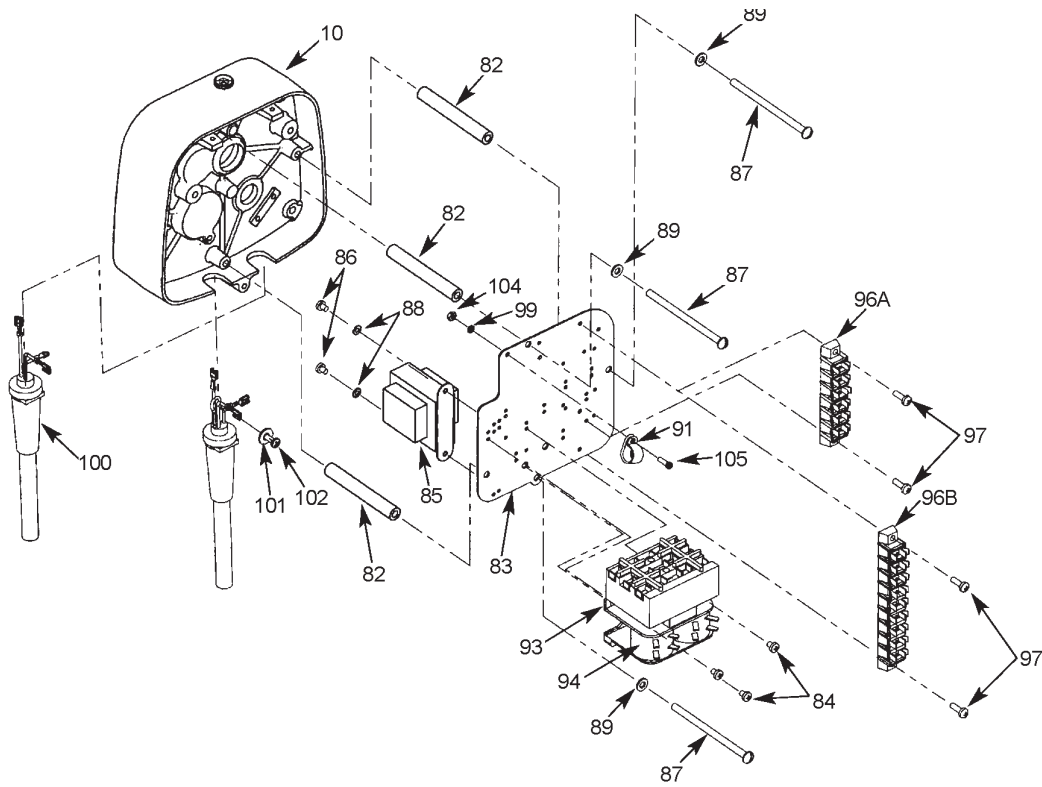
| FIG. | PART NO. | DESCRIPTION OF PART | QTY. |
|-------------|----------------|-----------------------|------|
| 643-76-0510 | Sheave Housing | (1) | |
| 8 | 43-76-0490 | Gear Housing | (1) |
| 117 | 45-11-0120 | Load Sheave | (1) |
| 119 | 45-36-1340 | Chain Spacer | (1) |
| 163 | 43-56-0450 | Chain Guide | (2) |
| 165 | 44-66-5656 | Chain Guide Plate | (2) |
| 195 | 14-36-0180 | Hook & Latch Assembly | (1) |
| 196 | 14-47-0590 | Latch Kit | (1) |
| 201 | 42-28-0290 | Load Block Kit | (1) |
| 205 | 14-47-1250 | End Stop Kit | (1) |

FOR CATALOG NOS. 9570, 9571, 9572 & 9573

| FIG. | PART NO. | DESCRIPTION OF PART | QTY. |
|------|------------|------------------------------|------|
| 6 | 43-76-0510 | Sheave Housing | (1) |
| 8 | 43-76-0490 | Gear Housing | (1) |
| 117 | 45-11-0120 | Load Sheave | (1) |
| 119 | 45-36-1340 | Chain Spacer | (1) |
| 163 | 43-56-0450 | Chain Guide | (2) |
| 165 | 44-66-5656 | Chain Guide Plate | (2) |
| 183 | 14-47-0590 | Latch Kit | (1) |
| 184 | 14-47-0620 | Load Block Kit | (1) |
| 188 | 14-36-0170 | Bottom Hook w/Latch Assembly | (1) |
| 190 | 14-73-0220 | Sheave Shaft Assembly | (1) |
| 205 | 14-47-1250 | End Stop Kit | (1) |



| FIG. | PART NO. | DESCRIPTION OF PART | QTY. |
|------|------------|---|------|
| 10 | 42-92-0665 | Gear Box Cover | (1) |
| 274 | 36-50-0010 | Load Shaft Assembly | (1) |
| 276 | 43-86-0130 | Insulator | (1) |
| 278 | 40-50-8090 | Spring | (1) |
| 279 | 06-95-0338 | 10-24 x 1/2" Thrd. Form. Taptite Scrw. | (2) |
| 280 | 14-73-0210 | Limit Switch & Shaft (Incl. Fig. 281-290) | (1) |
| 281 | 14-78-0340 | Limit Switch Assy. (Incl. Fig. 282-286) | (1) |
| 282 | 23-66-1550 | Switch | (2) |
| 283 | 06-81-0725 | 6-32 x 1" Fillister Head | (4) |
| 284 | 06-57-6059 | 6-32 Lock Nut | (4) |
| 285 | 23-66-1555 | Limit Switch Bracket | (1) |
| 286 | 42-40-0910 | Bushing | (1) |
| 287 | 45-08-0280 | Limit Switch Shaft | (1) |
| 288 | 44-40-0636 | Limit Switch Nut - Gold | (1) |
| 289 | 44-40-0641 | Limit Switch Nut - Silver | (1) |
| 290 | 34-60-0510 | Retaining Ring | (1) |
| 291 | 45-08-0290 | Limit Switch Stud Shaft | (1) |
| 292 | 34-60-2470 | E-Ring | (1) |



| FIG. | PART NO. | DESCRIPTION OF PART | QTY. |
|------|------------|------------------------------------|------|
| 10 | 42-92-0665 | Gear Box Cover | (1) |
| 82 | 45-36-1380 | Panel Standoff Spacer | (3) |
| 83 | 44-66-1010 | Electrical Panel Plate | (1) |
| 87 | 06-81-5015 | 1/4-20UNC x 4 Screw | (2) |
| 91 | 22-90-0240 | Grommet | (2) |
| 101 | 45-88-5220 | 1/4" Flat Washer | (1) |
| 102 | 06-95-0338 | 10-24 x 1/2" Pan Hd. Taptite screw | (1) |

FOR CATALOG NOS. 9560, 9561, 9562

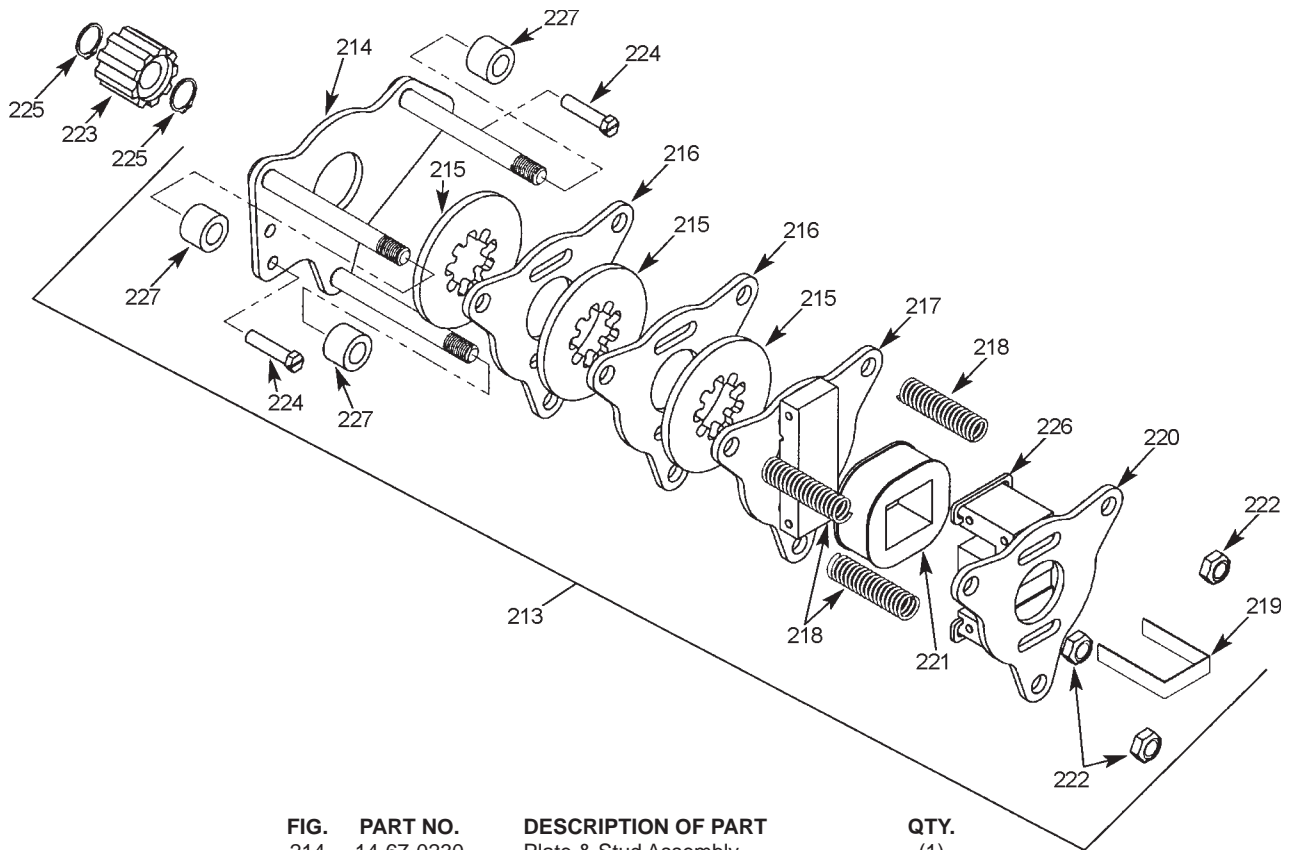
| FIG. | PART NO. | DESCRIPTION OF PART | QTY. |
|------|------------|-------------------------|------|
| 85 | 23-81-0510 | Transformer | (1) |
| 93 | 22-56-0930 | Terminal Block Kit | (1) |
| 96 | 22-06-0050 | Reversing Contactor Kit | (1) |
| 100 | 22-64-1265 | Cord Set | (1) |

FOR CATALOG NOS. 9565, 9567, 9568, 9570, 9572 & 9573

| FIG. | PART NO. | DESCRIPTION OF PART | QTY. |
|------|------------|-------------------------|------|
| 85 | 23-81-0510 | Transformer | (1) |
| 93 | 22-56-0930 | Terminal Block Kit | (1) |
| 96 | 22-06-0060 | Reversing Contactor Kit | (1) |
| 100 | 22-64-1270 | Cord Set | (1) |

FOR CATALOG NOS. 9566 & 9571

| FIG. | PART NO. | DESCRIPTION OF PART | QTY. |
|------|------------|-------------------------|------|
| 85 | 23-81-0520 | Transformer | (1) |
| 93 | 22-56-0935 | Terminal Block Kit | (1) |
| 96 | 22-06-0070 | Reversing Contactor Kit | (1) |
| 100 | 22-64-1275 | Cord Set | (1) |



| FIG. | PART NO. | DESCRIPTION OF PART | QTY. |
|------|------------|--------------------------------------|------|
| 214 | 14-67-0230 | Plate & Stud Assembly | (1) |
| 216 | 44-66-5660 | Brake Plate | (2) |
| 217 | 14-67-0240 | Plate & Armature Assembly | (1) |
| 218 | 40-50-8110 | Spring | (3) |
| 219 | 44-86-0500 | Retainer | (1) |
| 220 | 14-67-0250 | Plate & Frame Assembly | (1) |
| 222 | 06-57-3978 | Lock Nut | (3) |
| 223 | 42-04-3570 | Adapter | (1) |
| 224 | 06-95-0095 | 1/2"-20 x 5/8" Hex Hd. Thrd. Forming | (2) |
| 225 | 34-60-1400 | Retaining Ring | (2) |
| 226 | 22-51-0230 | Shading Coil | (2) |
| 226A | 42-56-7812 | Adhesive (Not Shown) | (1) |

FOR CATALOG NOS. 9560, 9561 & 9562

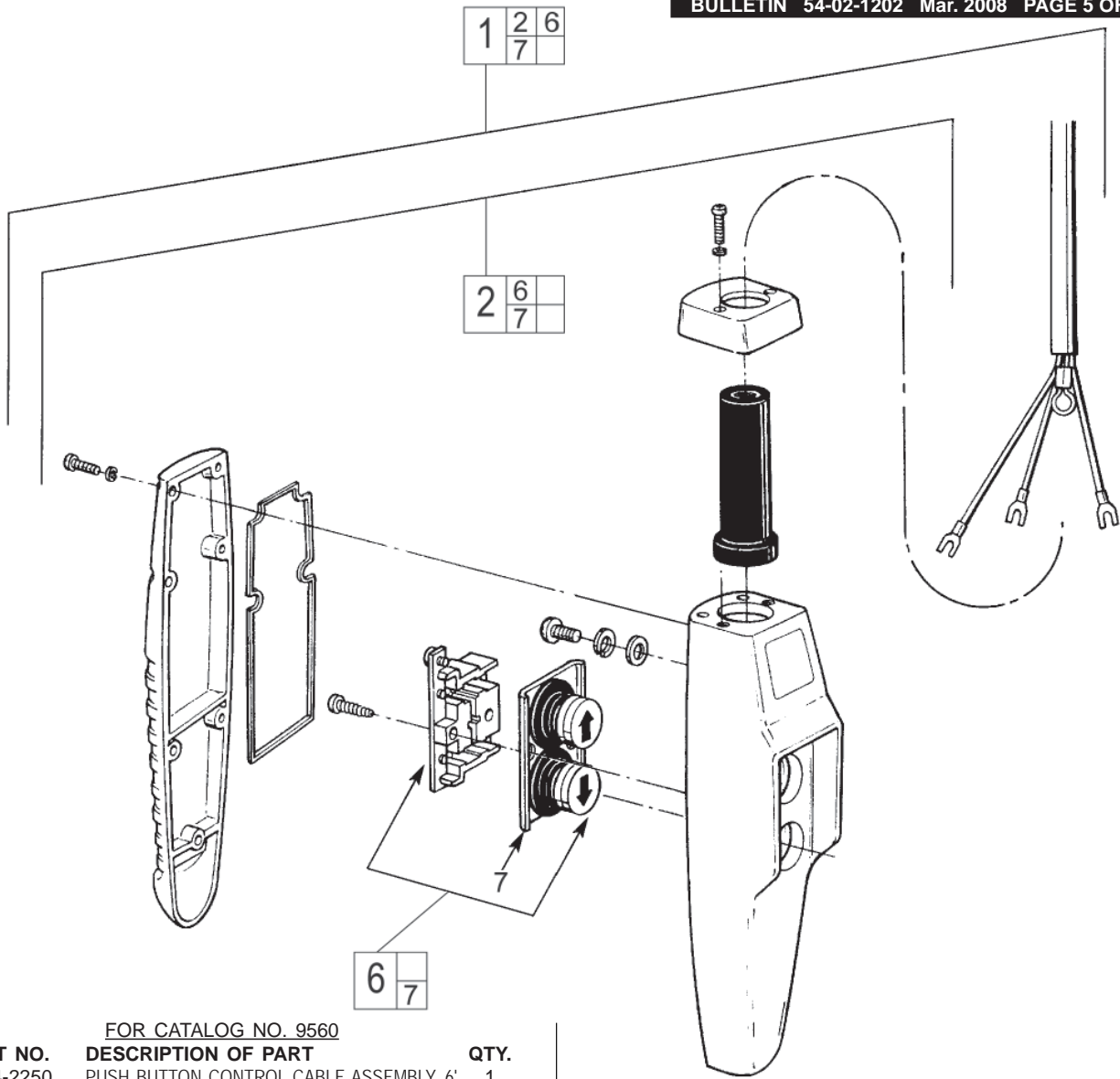
| FIG. | PART NO. | DESCRIPTION OF PART | QTY. |
|------|------------|---------------------|------|
| 213 | 14-04-0060 | Disk Brake Assembly | (1) |
| 215 | 43-06-0580 | Brake & Disc | (2) |
| 221 | 22-51-0240 | Coil 115/230V 60 Hz | (1) |
| 227 | 45-36-1360 | Spacer | (3) |

FOR CATALOG NOS. 9565, 9567, 9568, 9570, 9572 & 9573

| FIG. | PART NO. | DESCRIPTION OF PART | QTY. |
|------|------------|---------------------|------|
| 213 | 14-04-0070 | Disc Brake Assembly | (1) |
| 215 | 43-06-0580 | Brake & Disc | (3) |
| 221 | 22-51-0240 | Coil 115/230V 60 Hz | (1) |

FOR CATALOG NOS. 9566 & 9571

| FIG. | PART NO. | DESCRIPTION OF PART | QTY. |
|------|------------|-----------------------------|------|
| 213 | 14-04-0080 | Disc Brake Assembly | (1) |
| 215 | 43-06-0580 | Brake & Disc | (3) |
| 221 | 22-51-0250 | Coil 230/460V 3 Phase 60 Hz | (1) |



FOR CATALOG NO. 9560

| FIG. | PART NO. | DESCRIPTION OF PART | QTY. |
|------|------------|--|------|
| 1 | 22-64-2250 | PUSH BUTTON CONTROL CABLE ASSEMBLY, 6' | 1 |
| 2 | 43-76-0700 | PUSH BUTTON STATION ASSEMBLY | 1 |
| 6 | 22-58-0260 | CONTACT ASSEMBLY | 1 |
| 7 | 42-42-0510 | BUTTON ASSEMBLY | 1 |

FOR CATALOG NO. 9561

| FIG. | PART NO. | DESCRIPTION OF PART | QTY. |
|------|------------|---|------|
| 1 | 22-64-2255 | PUSH BUTTON CONTROL CABLE ASSEMBLY, 11' | 1 |
| 2 | 43-76-0700 | PUSH BUTTON STATION ASSEMBLY | 1 |
| 6 | 22-58-0260 | CONTACT ASSEMBLY | 1 |
| 7 | 42-42-0510 | BUTTON ASSEMBLY | 1 |

FOR CATALOG NOS. 9562

| FIG. | PART NO. | DESCRIPTION OF PART | QTY. |
|------|------------|---|------|
| 1 | 22-64-2260 | PUSH BUTTON CONTROL CABLE ASSEMBLY, 16' | 1 |
| 2 | 43-76-0700 | PUSH BUTTON STATION ASSEMBLY | 1 |
| 6 | 22-58-0260 | CONTACT ASSEMBLY | 1 |
| 7 | 42-42-0510 | BUTTON ASSEMBLY | 1 |

FOR CATALOG NOS. 9565 & 9566

| FIG. | PART NO. | DESCRIPTION OF PART | QTY. |
|------|------------|--|------|
| 1 | 22-64-2250 | PUSH BUTTON CONTROL CABLE ASSEMBLY, 6' | 1 |
| 2 | 43-76-0700 | PUSH BUTTON STATION ASSEMBLY | 1 |
| 6 | 22-58-0260 | CONTACT ASSEMBLY | 1 |
| 7 | 42-42-0510 | BUTTON ASSEMBLY | 1 |

FOR CATALOG NO. 9567

| FIG. | PART NO. | DESCRIPTION OF PART | QTY. |
|------|------------|---|------|
| 1 | 22-64-2255 | PUSH BUTTON CONTROL CABLE ASSEMBLY, 11' | 1 |
| 2 | 43-76-0700 | PUSH BUTTON STATION ASSEMBLY | 1 |
| 6 | 22-58-0260 | CONTACT ASSEMBLY | 1 |
| 7 | 42-42-0510 | BUTTON ASSEMBLY | 1 |

FOR CATALOG NO. 9568

| FIG. | PART NO. | DESCRIPTION OF PART | QTY. |
|------|------------|---|------|
| 1 | 22-64-2260 | PUSH BUTTON CONTROL CABLE ASSEMBLY, 16' | 1 |
| 2 | 43-76-0700 | PUSH BUTTON STATION ASSEMBLY | 1 |
| 6 | 22-58-0260 | CONTACT ASSEMBLY | 1 |
| 7 | 42-42-0510 | BUTTON ASSEMBLY | 1 |

FOR CATALOG NO. 9570 & 9571

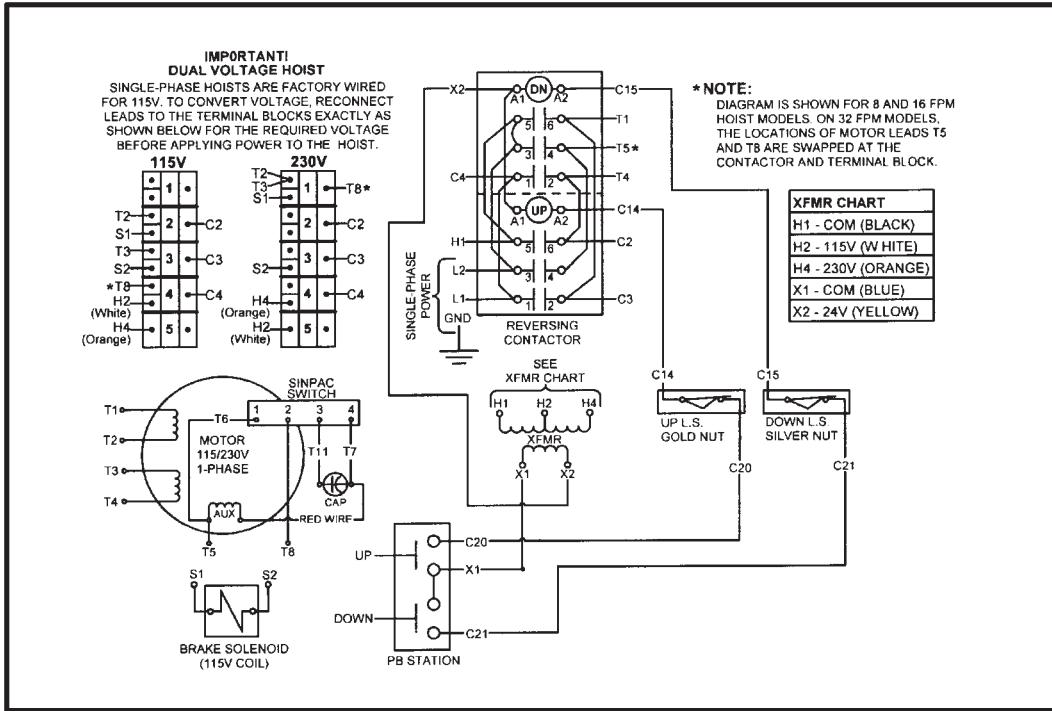
| FIG. | PART NO. | DESCRIPTION OF PART | QTY. |
|------|------------|--|------|
| 1 | 22-64-2250 | PUSH BUTTON CONTROL CABLE ASSEMBLY, 6' | 1 |
| 2 | 43-76-0700 | PUSH BUTTON STATION ASSEMBLY | 1 |
| 6 | 22-58-0260 | CONTACT ASSEMBLY | 1 |
| 7 | 42-42-0510 | BUTTON ASSEMBLY | 1 |

FOR CATALOG NO. 9572

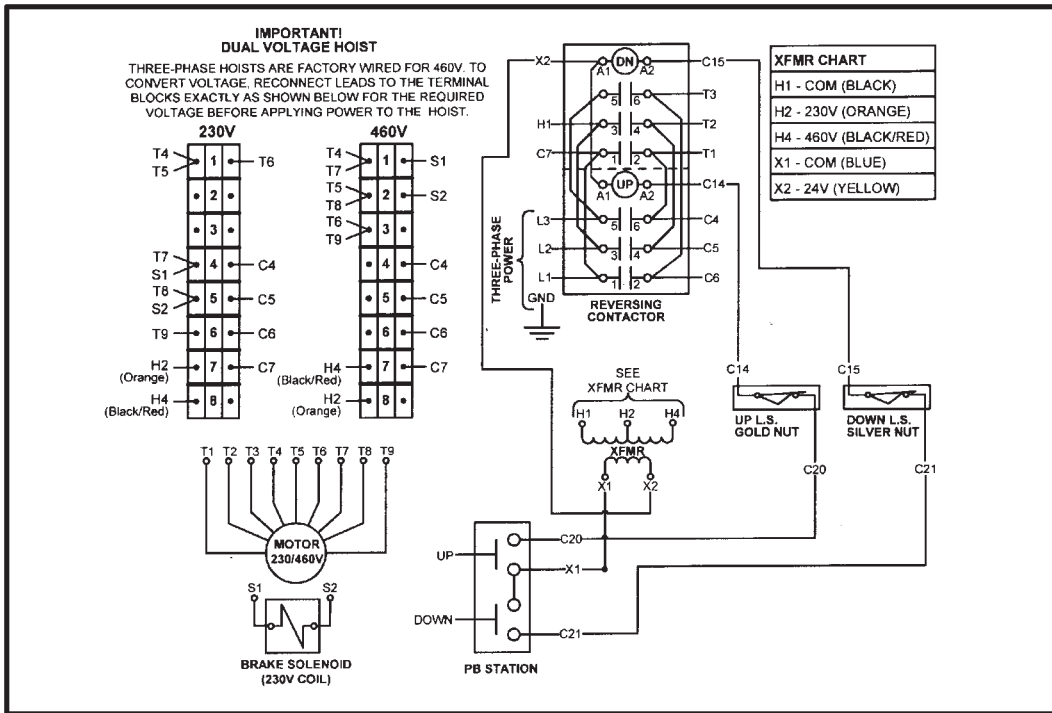
| FIG. | PART NO. | DESCRIPTION OF PART | QTY. |
|------|------------|---|------|
| 1 | 22-64-2255 | PUSH BUTTON CONTROL CABLE ASSEMBLY, 11' | 1 |
| 2 | 43-76-0700 | PUSH BUTTON STATION ASSEMBLY | 1 |
| 6 | 22-58-0260 | CONTACT ASSEMBLY | 1 |
| 7 | 42-42-0510 | BUTTON ASSEMBLY | 1 |

FOR CATALOG NO. 9573

| FIG. | PART NO. | DESCRIPTION OF PART | QTY. |
|------|------------|---|------|
| 1 | 22-64-2260 | PUSH BUTTON CONTROL CABLE ASSEMBLY, 16' | 1 |
| 2 | 43-76-0700 | PUSH BUTTON STATION ASSEMBLY | 1 |
| 6 | 22-58-0260 | CONTACT ASSEMBLY | 1 |
| 7 | 42-42-0510 | BUTTON ASSEMBLY | 1 |



Wiring Diagram for 1-Speed, 1-Phase Models



Wiring Diagram for 1-Speed, 3-Phase Models