



SERVICE PARTS LIST

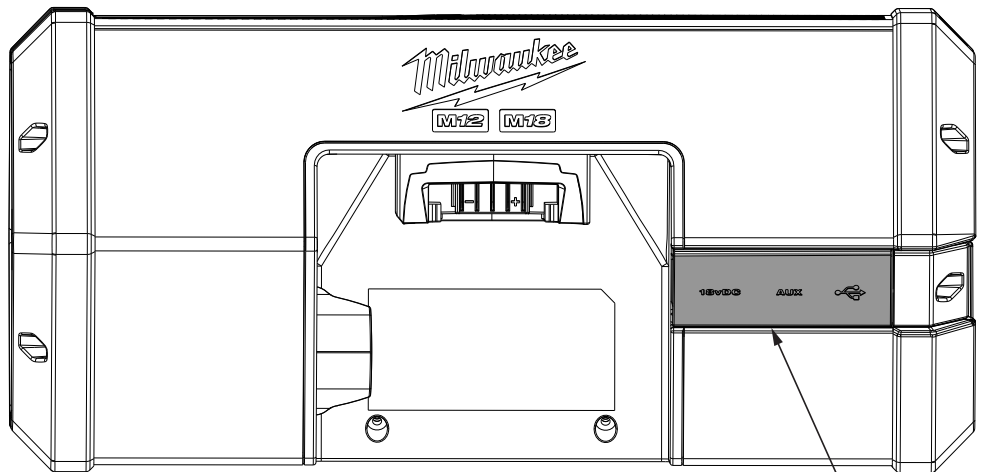
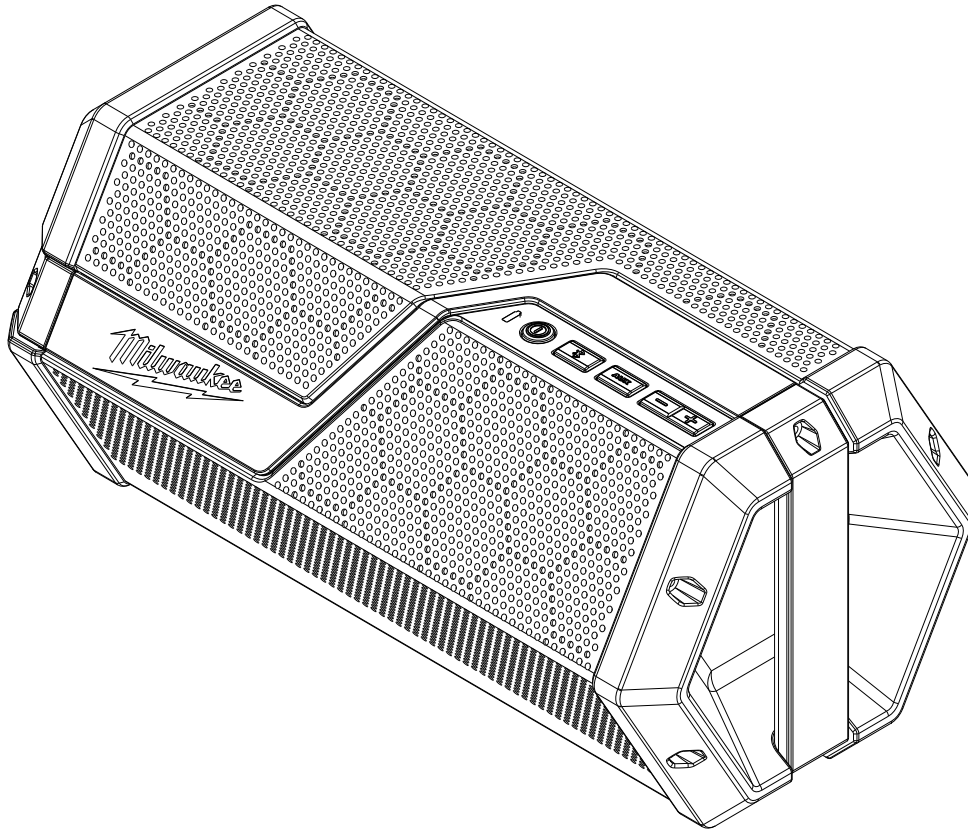
BULLETIN NO.
54-49-2895

SPECIFY CATALOG NO. AND SERIAL NO. WHEN ORDERING PARTS			REVISED BULLETIN	DATE
M18™ M12™ WIRELESS JOBSITE SPEAKER				Sep. 2016
CATALOG NO.	2891-20	STARTING SERIAL NO.	H73A	
WIRING INSTRUCTION				

EXAMPLE:

00
0

Component Parts (Small #) Are Included
When Ordering The Assembly (Large #).



REAR VIEW

1

FIG.	PART NO.	DESCRIPTION OF PART	NO. REQ.
1	42-92-0155	USB/Aux Door w/ Hinge Strap	(1)
2	23-81-0155	AC Adapter (Not Shown)	(1)