



# SERVICE PARTS LIST

**BULLETIN NO.  
54-40-7070**

**SPECIFY CATALOG NO. AND SERIAL NO. WHEN ORDERING PARTS**

REVISED BULLETIN

## M18™ FUEL™ 5-3/8" METAL CUTTING SAW

**CATALOG NO. 2782-20**

**STARTING  
SERIAL NO.**

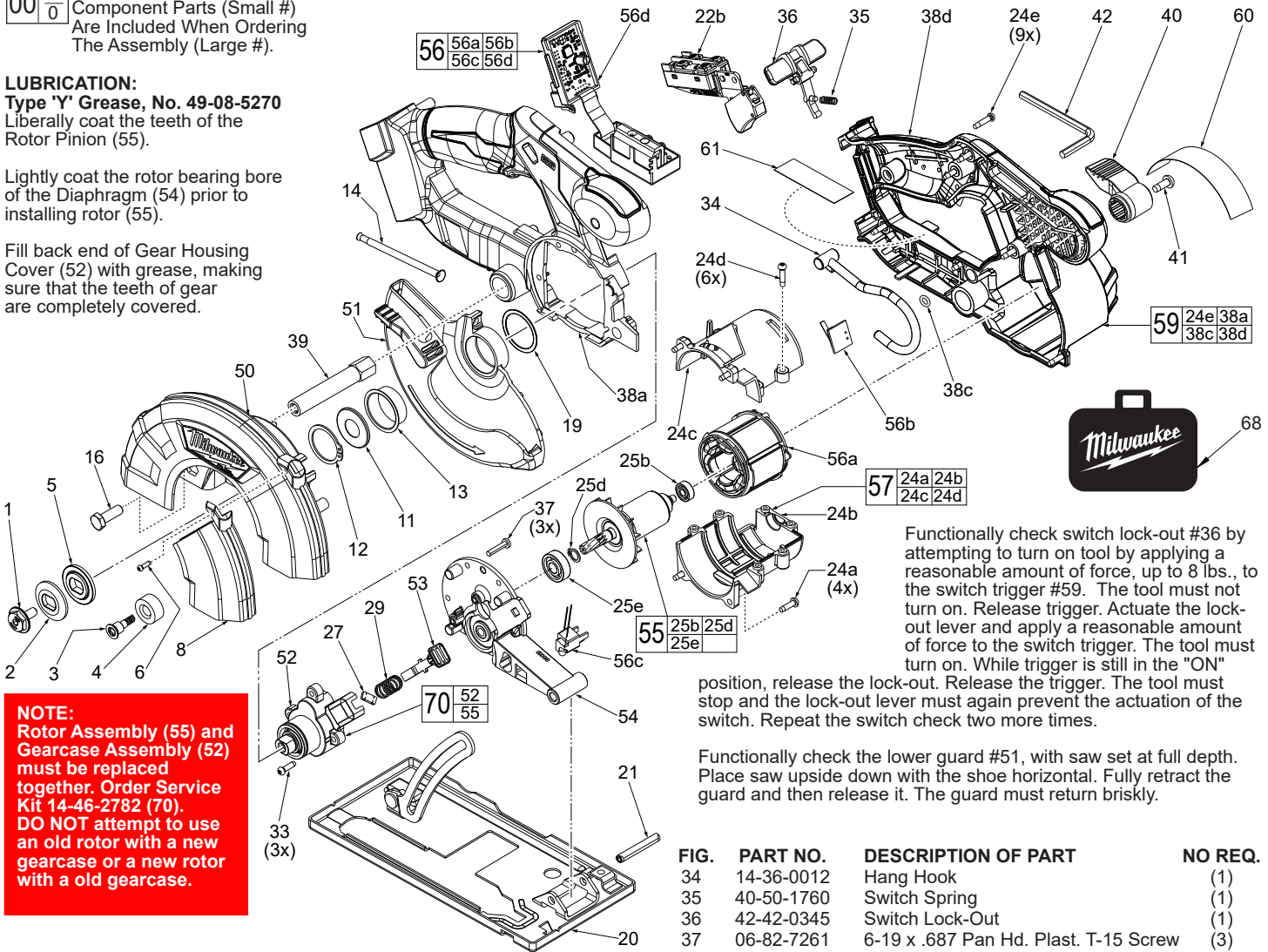
**H87A**

**EXAMPLE:**  
Component Parts (Small #)  
Are Included When Ordering  
The Assembly (Large #).

**LUBRICATION:**  
**Type 'Y' Grease, No. 49-08-5270**  
Liberaly coat the teeth of the  
Rotor Pinion (55).

Lightly coat the rotor bearing bore  
of the Diaphragm (54) prior to  
installing rotor (55).

Fill back end of Gear Housing  
Cover (52) with grease, making  
sure that the teeth of gear  
are completely covered.



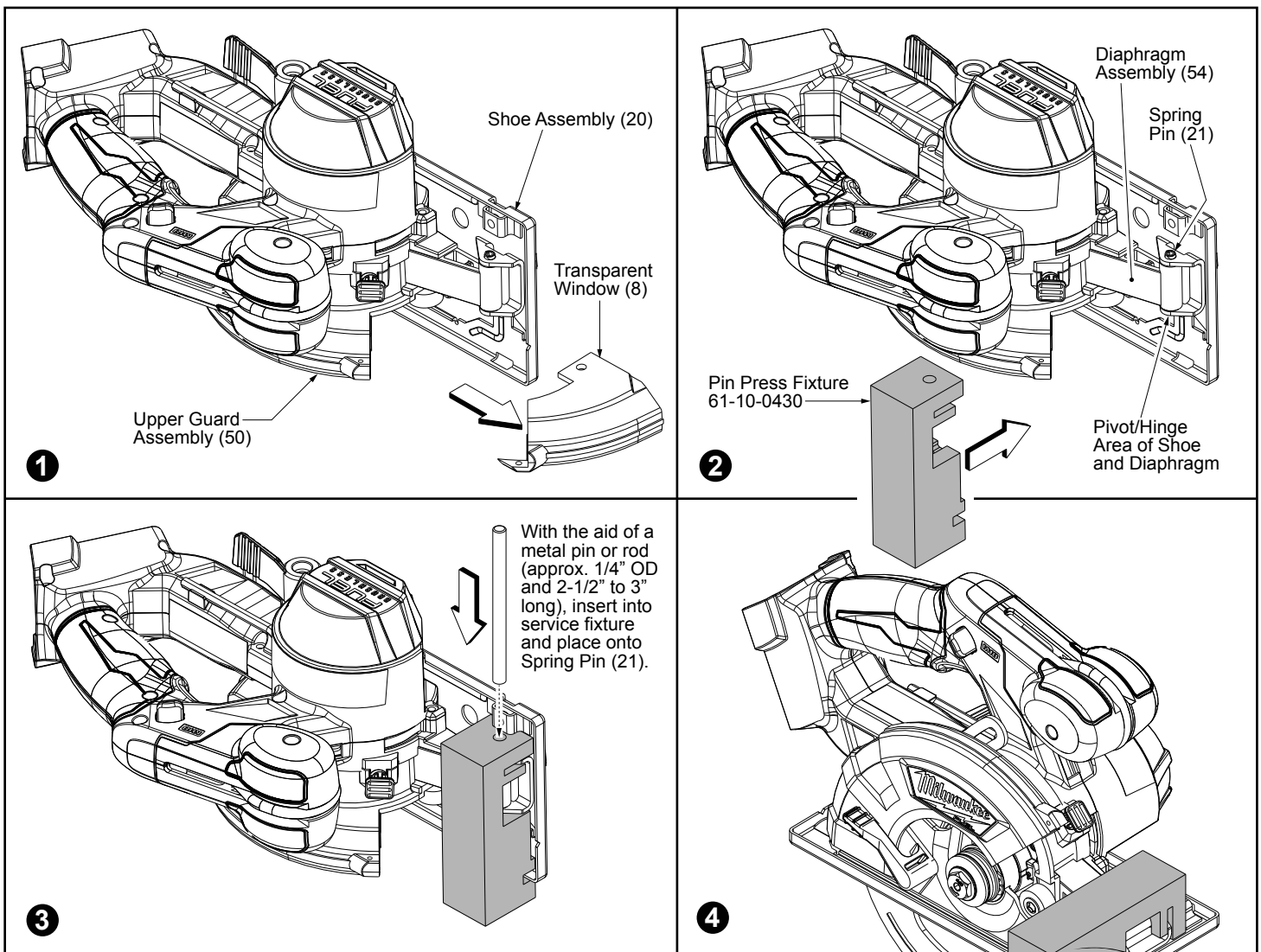
**NOTE:**  
Rotor Assembly (55) and  
Gearcase Assembly (52)  
must be replaced  
together. Order Service  
Kit 14-46-2782 (70).  
DO NOT attempt to use  
an old rotor with a new  
gearcase or a new rotor  
with an old gearcase.

Functionally check switch lock-out #36 by attempting to turn on tool by applying a reasonable amount of force, up to 8 lbs., to the switch trigger #59. The tool must not turn on. Release trigger. Actuate the lock-out lever and apply a reasonable amount of force to the switch trigger. The tool must turn on. While trigger is still in the "ON" position, release the lock-out. Release the trigger. The tool must stop and the lock-out lever must again prevent the actuation of the switch. Repeat the switch check two more times.

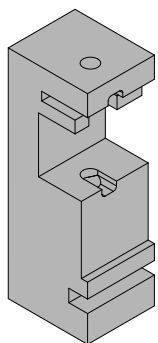
Functionally check the lower guard #51, with saw set at full depth. Place saw upside down with the shoe horizontal. Fully retract the guard and then release it. The guard must return briskly.

FIG.	PART NO.	DESCRIPTION OF PART	NO REQ.
1	45-04-1020	Hex Flange Blade Screw	(1)
2	43-34-0685	Outer Blade Flange	(1)
3	45-04-1060	Bumper Screw	(1)
4	42-38-0222	Rubber Bumper	(1)
5	43-34-0680	Inner Blade Flange	(1)
6	05-81-0005	M3 x 8mm Pan Hd. T-10 ST Screw	(1)
8	44-06-0201	Transparent Window	(1)
11	45-88-3095	Dust Seal	(1)
12	34-60-0006	Retaining Ring	(1)
13	45-22-0282	Sleeve	(1)
14	40-50-1710	Lower Guard Return Spring	(1)
16	06-75-5860	1/4-20 x .75 UNC Hex Hd. Bolt	(1)
19	45-88-0087	Flat Washer	(1)
20	14-74-0235	Shoe Assembly	(1)
21	06-65-0029	Spring Pin	(1)
22b	23-66-2635	On-Off Switch with Screws	(1)
24a	06-82-5285	6-32 x .5 Pan Hd. Taptite T-15 Screw	(4)
24b	-----	Motor Insulator Halve - Bottom	(1)
24c	-----	Motor Insulator Halve - Top	(1)
24d	06-82-2025	M3.5 x 16mm Pan Hd. Platite T-10 Screw	(6)
24e	06-82-2025	M3.5 x 16mm Pan Hd. Platite T-10 Screw	(9)
25b	02-04-0033	Ball Bearing	(1)
25d	34-80-0020	C-Retaining Ring	(1)
25e	02-04-0175	Ball Bearing	(1)
27	43-84-0012	Spindle Lock Felt	(1)
29	40-50-8046	Spindle Lock Spring	(1)
33	05-86-0102	M3 x 8mm Pan Hd. T-10 Screw	(3)

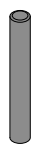
FIG.	PART NO.	DESCRIPTION OF PART	NO REQ.
34	14-36-0012	Hang Hook	(1)
35	40-50-1760	Switch Spring	(1)
36	42-42-0345	Switch Lock-Out	(1)
37	06-82-7261	6-19 x .687 Pan Hd. Plast. T-15 Screw	(3)
38a	31-44-1205	Housing Halve - Right	(1)
38c	34-40-4480	O-Ring	(1)
38d	31-44-1207	Housing Halve - Left with Spring Plungers	(1)
39	42-18-0405	Hexagon Depth Lever Shaft	(1)
40	44-10-0018	Depth Lever	(1)
41	06-82-5314	10-24 x 1/2" Pan Hd. Tapt. T-25 Screw	(1)
42	49-96-0600	3/16" Hex Key	(1)
50	43-54-0003	Upper Guard Assembly	(1)
51	28-41-0031	Lower Guard Assembly	(1)
52	-----	Gear Case Assembly	(1)
53	44-20-0012	Spindle Lock Button/Plate Assembly	(1)
54	14-13-0032	Diaphragm Assembly w/ Needle Bearing	(1)
55	-----	Rotor Assembly	(1)
56	14-20-0203	Electronic Assembly	(1)
56a	-----	Stator	(1)
56b	-----	Micro Switch with PCBA	(1)
56c	22-06-2782	LED Assembly	(1)
56d	-----	Battery Connector Block with PCBA	(1)
57	31-50-0307	Motor Insulator Assembly	(1)
59	31-44-1209	Housing Assembly	(1)
60	12-20-0212	Service Nameplate	(1)
61	10-20-1137	Warning Label	(1)
68	42-55-2743	Contractor Bag	(1)
70	14-46-2782	Rotor/Gearcase Service Kit	(1)



When removing Shoe Assembly (20) and Spring Pin (21) from saw, it is recommended to use Service Fixtures 61-10-0430 and 61-10-0435 in an arbor press. NOTE: Attempting to remove or install the Shoe Assembly without these service fixtures could jeopardize squareness of the cut.



61-10-0430  
Pin Press Fixture



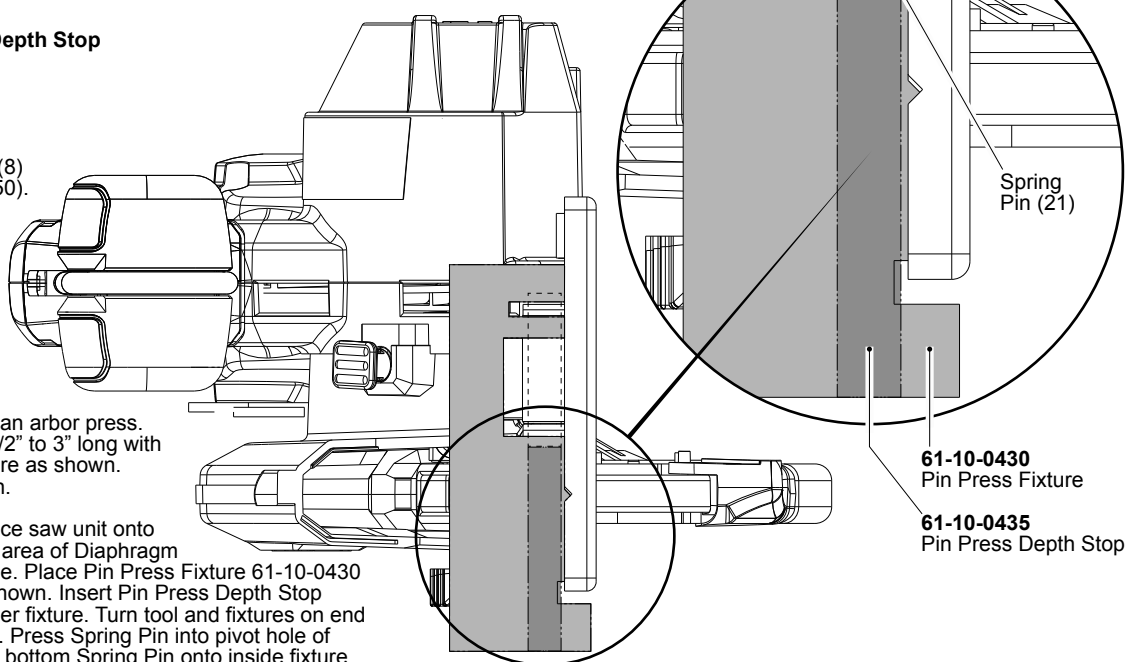
61-10-0435  
Pin Press Depth Stop

1) Remove Transparent Window (8) from Upper Guard Assembly (50).

2) Install Pin Press Fixture 61-10-0430 onto saw unit as shown, over the pivot area of the Diaphragm Assembly (54), pressing down to snap the fixture detents onto exposed Spring Pin ends (21).

3) Place the tool and fixture onto an arbor press. Insert a pin (approximately 2-1/2" to 3" long with a 1/4" OD) into hole of the fixture as shown. Gently press out the Spring Pin.

4) To reinstall Spring Pin (21), place saw unit onto Shoe Assembly (20) with pivot area of Diaphragm positioned in hinge area of shoe. Place Pin Press Fixture 61-10-0430 onto that pivot/hinge area as shown. Insert Pin Press Depth Stop 61-10-0435 into hole of the other fixture. Turn tool and fixtures on end and position on an arbor press. Press Spring Pin into pivot hole of diaphragm. Use 1/4" OD pin to bottom Spring Pin onto inside fixture.

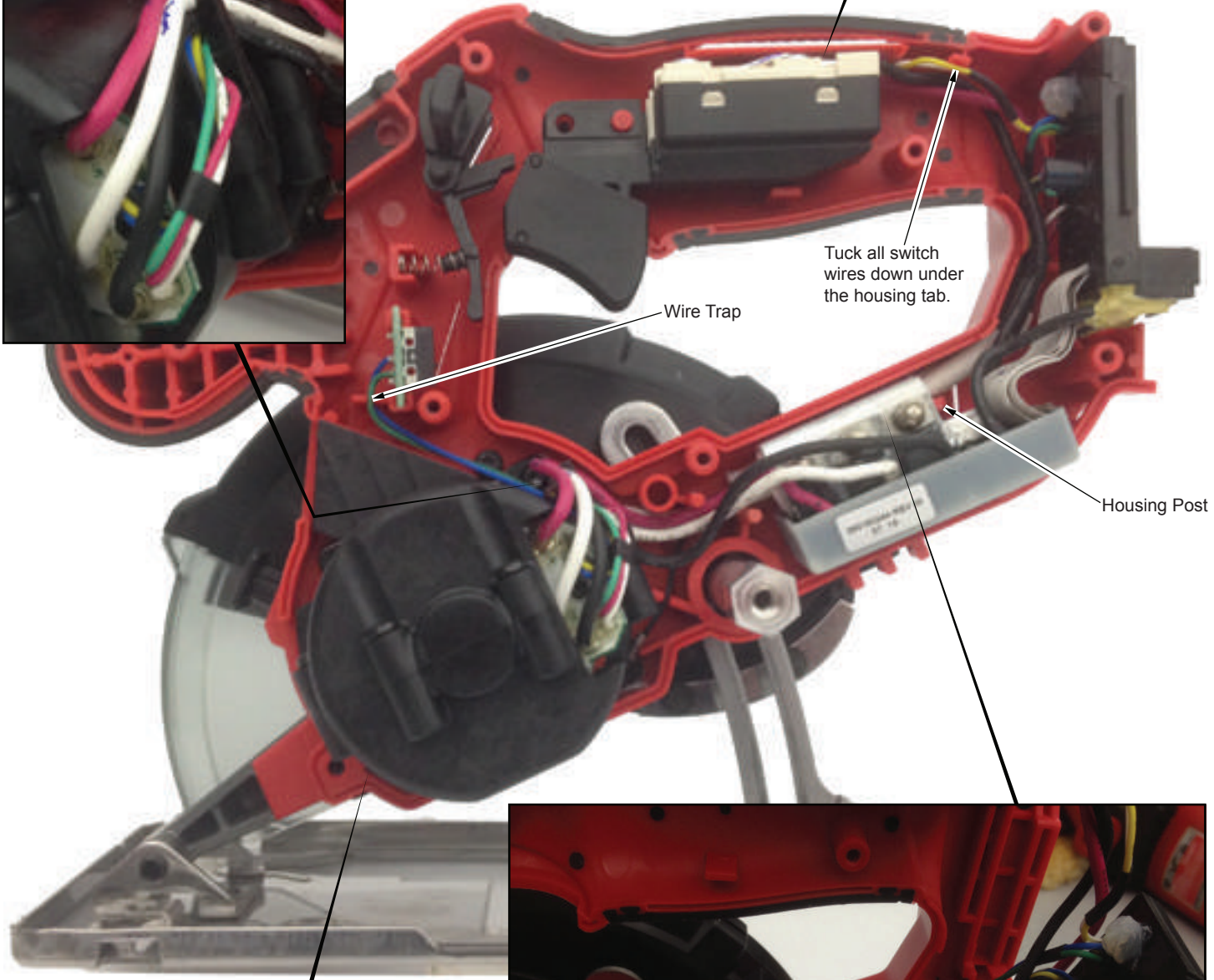




Route wires from stator assembly across the side of motor insulator. Trap all wires behind insulator post as shown.

Insulator post

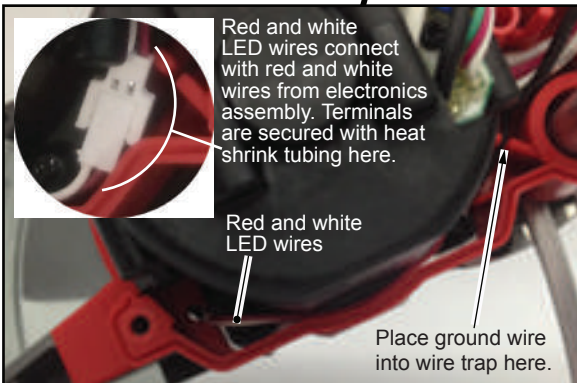
Switch detail-  
Route wires to switch as shown with terminal barrels facing upward.



Wire Trap

Tuck all switch wires down under the housing tab.

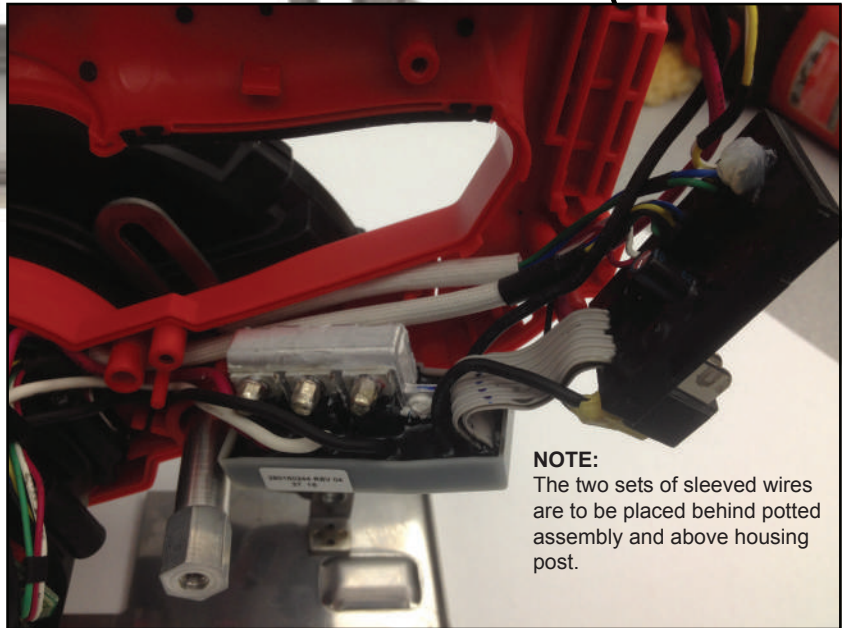
Housing Post



Red and white LED wires connect with red and white wires from electronics assembly. Terminals are secured with heat shrink tubing here.

Red and white LED wires

Place ground wire into wire trap here.



**NOTE:**  
The two sets of sleeved wires are to be placed behind potted assembly and above housing post.

Route LED wires under motor insulator assembly. Be sure wires are tucked away from housing opening.