



SERVICE PARTS LIST

BULLETIN NO.
54-05-2475

SPECIFY CATALOG NO. AND SERIAL NO. WHEN ORDERING PARTS		REVISED BULLETIN	DATE
M12™ COMPACT INFLATOR			Dec. 2017
CATALOG NO.	2475-20	STARTING SERIAL NO. J47A	
WIRING INSTRUCTION			

EXAMPLE:

00	0
----	---

 Component Parts (Small #) Are Included When Ordering The Assembly (Large #).

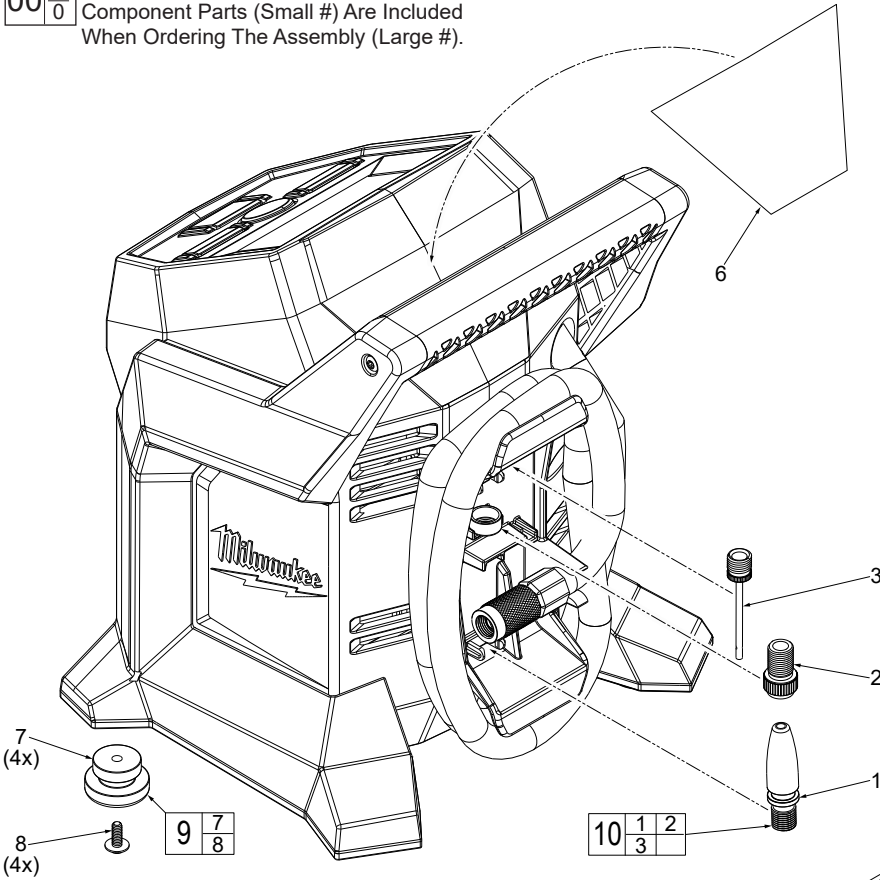


FIG.	PART NO.	DESCRIPTION OF PART	NO. REQ.
1	-----	Inflating Nozzle	(1)
2	-----	Nozzle Adapter	(1)
3	-----	Inflating Pin	(1)
4	12-20-2479	Service Nameplate	(1)
5	42-70-0058	Housing Connection Clip	(1)
6	10-20-2479	Warning Label	(1)
7	-----	Rubber Foot	(4)
8	-----	Pan Hd. Washer Screw	(4)
9	42-38-2475	Foot/Screw Service Kit	(1)
10	14-46-2475	Inflating Attachment Kit	(1)

FIG. NOTES

4,6 A clean, dry surface is essential for proper performance for any adhesive system. The area intended for application of any adhesive label or nameplate must be prepared by cleaning with isopropyl alcohol. The solvent is to be applied with a clean, lint free applicator and the surface allowed to dry before applying the label or nameplate.

