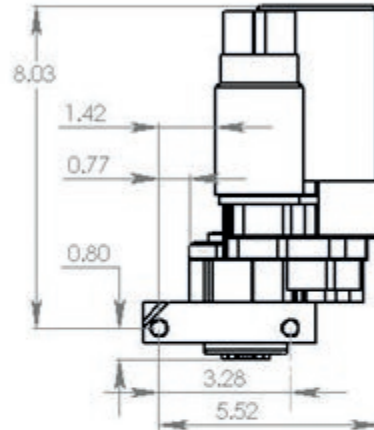
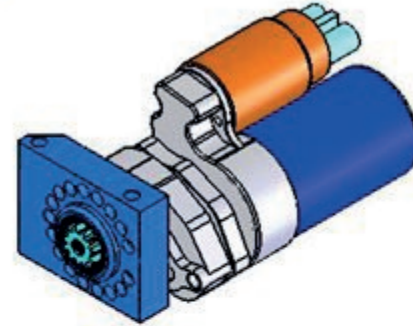


TS400_CUSTOMER DIMENSIONAL DRAWING

MEZIERE ENTERPRISES TRUE START H.D. STARTERS

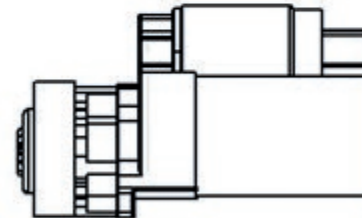


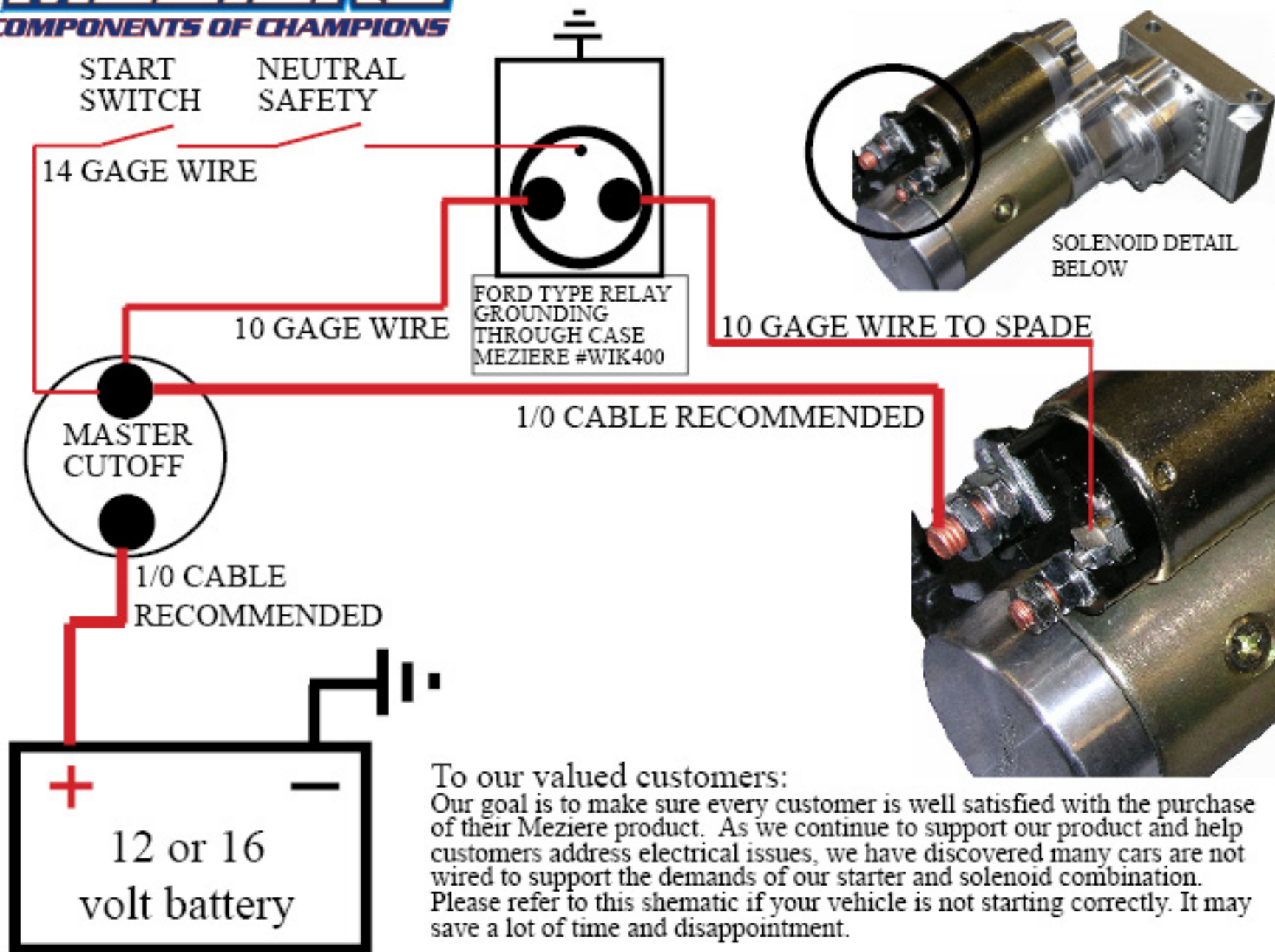
FEATURES:

- 2.2KW MOTOR (3 H.P.)
- EXTREME DUTY BENDIX/DRIVE (MEZIERE DESIGN)
- 3.43:1 GEAR REDUCTION
- ALL DRIVE COMPONENTS IN-HOUSE DESIGNED / MACHINED
- EXTRA OIL PAN CLEARANCE
- INDEXABLE NOSEBLOCK 360° IN 10° INCREMENTS
- FITS STANDARD BBC (16BT RING GEAR, 12/14 PITCH, PASS.SIDE MOUNT)
- COMPATIBLE WITH 16V SYSTEMS
- OPTIONAL 10 PITCH DRIVE AVAILABLE
(FOR USE WITH 139T 10P RING GEAR) (P/N TST400)
- OPTIONAL 24V AVAILABLE (P/N TS40024) (CALL)



11T, 12P FRICTION,
COMPATIBLE W/16BT RING GEAR





To our valued customers:
Our goal is to make sure every customer is well satisfied with the purchase of their Meziere product. As we continue to support our product and help customers address electrical issues, we have discovered many cars are not wired to support the demands of our starter and solenoid combination. Please refer to this schematic if your vehicle is not starting correctly. It may save a lot of time and disappointment.