

PROPER INSTALLATION OF TELESCOPIC BALL JOINTS

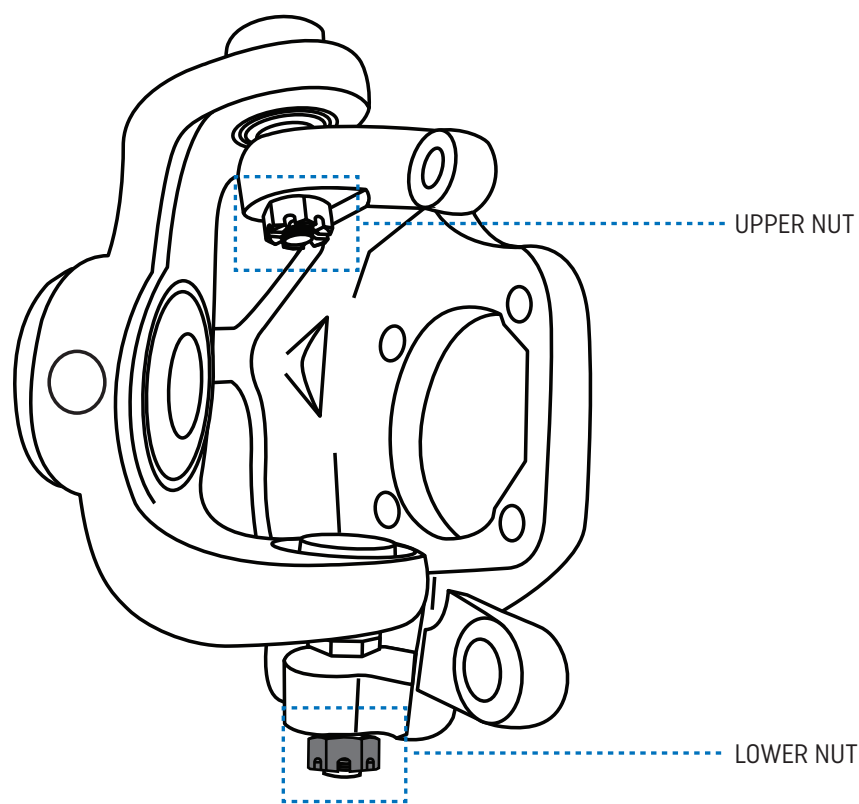
Proper Installation of Telescopic Ball Joints

Some 4x4 Dodge trucks and Jeeps have solid front axles that use a telescopic upper ball joint to compensate for part-to-part tolerances between the axle and steering knuckle.

Telescopic ball joints allow for axial movement of the ball stud in the upper ball joint. This movement can often be misdiagnosed as a defective product with either the wrong ball stud length or too much end play. The stud on the upper ball joint will extend or retract to the correct position during installation.

When reassembling the steering knuckle to the axle, it's important to use the correct nut torques and follow the tightening sequence provided on the attached chart.

Following this procedure will ensure that the telescopic ball joint is correctly seated and that the steering knuckle will turn smoothly.



WE SUPPORT
ASE CERTIFICATION

DISCLAIMER: The information in this communication is intended for use only by skilled technicians who have the proper tools, equipment and training to correctly and safely maintain vehicles. Refer to original manufacturers service manual for proper torque specifications and removal/installation procedures. All content in the publication is provided as-is and without warranty. All care has been taken to ensure the accuracy of the information presented. The publisher assumes no responsibility or liability for any loss or damage, direct, indirect or consequential, arising from the use of the information contained herein.

PROPER INSTALLATION OF TELESCOPIC BALL JOINTS

MAKE	MODEL	YEAR	LOCATION	TTX	SUPREME	OG	TIGHTENING SEQUENCE	NOTES		
Dodge/Ram	1500	1994-1999	Upper	TXK3134T	MK3134T	GK3134T	1. Lower 80 ft.lbs.(110 Nm) 2. Upper 75 ft.lbs.(100 Nm)	Dana 44 Axle		
			Lower	TXK8195T	MS8195T	GK8195T		Dana 44 Axle 216 FBI Axle		
		2000-2001	Upper	TXK3134T	MK3134T	GK3134T		1. Lower 35 ft.lbs.(50 Nm) 2. Upper 70 ft.lbs.(95 Nm) 3. Lower 150 ft.lbs.(200 Nm)	8 Lug Wheels AAM 9.25" Axle	
			Lower	N/A	MK7401	GK7401				
		2006-2008	Upper	N/A	MS25506	GK25506			1. Lower 80 ft.lbs.(110 Nm) 2. Upper 75 ft.lbs.(100 Nm)	Dana 44 Axle
			Lower	TXK7467	MK7467	GK7467				
	2500	1994-1999	Upper	TXK3134T	MK3134T	GK3134T	1. Lower 35 ft.lbs.(50 Nm) 2. Upper 70 ft.lbs.(95 Nm) 3. Lower 150 ft.lbs.(200 Nm)			Dana 60 Axle 248 FBI Axle
			Lower	TXK8195T	MK8195T	GK8195T				
		2000-2002	Upper	N/A	MK7394	GK7394		1. Lower 35 ft.lbs.(50 Nm) 2. Upper 70 ft.lbs.(95 Nm) 3. Lower 150 ft.lbs.(200 Nm)		AAM 9.25" Axle
			Lower	TXMS25557	MK7397	GK7397				
		2003-2013	Upper	N/A	MS25506	GS25506			1. Lower 35 ft.lbs.(50 Nm) 2. Upper 70 ft.lbs.(95 Nm) 3. Lower 150 ft.lbs.(200 Nm)	AAM 9.25" Axle
			Lower	TXK7467	MK7467	GK7467				
	2014-2018	Upper	N/A	MS25506	GS25506	1. Lower 35 ft.lbs.(50 Nm) 2. Upper 70 ft.lbs.(95 Nm) 3. Lower 150 ft.lbs.(200 Nm)	AAM 9.25" Axle			
		Lower	TXMS25532	MS25532	N/A					
	3500	2000-2002	Upper	N/A	MK7394		GK7394	1. Lower 35 ft.lbs.(50 Nm) 2. Upper 70 ft.lbs.(95 Nm) 3. Lower 150 ft.lbs.(200 Nm)		Dana 60 Axle
Lower			TXMS25557	MK7397	GK7397					
2003-2013		Upper	N/A	MS25506	GK25506		1. Lower 35 ft.lbs.(50 Nm) 2. Upper 70 ft.lbs.(95 Nm) 3. Lower 150 ft.lbs.(200 Nm)		AAM 9.25" Axle	
		Lower	N/A	MK7467	GK7467					
2014-2018		Upper	N/A	MS25506	GS25506	1. Lower 35 ft.lbs.(50 Nm) 2. Upper 70 ft.lbs.(95 Nm) 3. Lower 150 ft.lbs.(200 Nm)			AAM 9.25" Axle	
		Lower	TXMS25532	MS25532	N/A					
Jeep	Cherokee	1984-1989	Upper	TXK3134T	MK3134T			GK3134T	1. Lower 80 ft.lbs.(110 Nm) 2. Upper 75 ft.lbs.(100 Nm)	Dana 44 Axle
			Lower	TXK3137T	MK3137T			GK3137T		
		1990-2001	Upper	TXK3134T	MK3134T		GK3134T			
	Lower		TXK3161T	MK3161T	GK3161T					
	Comanche	1986-1989	Upper	TXK3134T	MK3134T	GK3134T				
			Lower	TXK3137T	MK3137T	GK3137T				
	1990-1992	Upper	TXK3134T	MK3134T	GK3134T					
		Lower	TXK3161T	MK3161T	GK3161T					
	Grand Cherokee	1993-1998	Upper	TXK3134T	MK3134T	GK3134T				
			Lower	TXK3161T	MK3161T	GK3161T				
	1999-2004	Upper	TXK3134T	MK3134T	GK3134T					
		Lower	TXK3185	MK3185	GK3185					
	Grand Wagoneer	1993	Upper	TXK3134T	MK3134T	GK3134T				
			Lower	TXK3161T	MK3161T	GK3161T				
	TJ	1997-2006	Upper	TXK3134T	MK3134T	GK3134T				
			Lower	TXK3161T	MK3161T	GK3161T				
	Wagoneer	1984-1989	Upper	TXK3134T	MK3134T	GK3134T				
			Lower	TXK3137T	MK3137T	GK3137T				
		1990	Upper	TXK3134T	MK3134T	GK3134T				
			Lower	TXK3161T	MK3161T	GK3161T				
	Wrangler	1987-1989	Upper	TXK3134T	MK3134T	GK3134T				
			Lower	TXK3137T	MK3137T	GK3137T				
		1990-2006	Upper	TXK3134T	MK3134T	GK3134T				
			Lower	TXK3161T	MK3161T	GK3161T				
		2007-2017	Upper	TXK3134T	MK3134T	GK3134T				
			Lower	TXK3185	MK3185	GK3185				
	Wrangler JK	2018	Upper	TXK3134T	MK3134T	GK3134T				
			Lower	TXK3185	MK3185	GK3185				



WE SUPPORT
ASE CERTIFICATION

DISCLAIMER: The information in this communication is intended for use only by skilled technicians who have the proper tools, equipment and training to correctly and safely maintain vehicles. Refer to original manufacturers service manual for proper torque specifications and removal/installation procedures. All content in the publication is provided as-is and without warranty. All care has been taken to ensure the accuracy of the information presented. The publisher assumes no responsibility or liability for any loss or damage, direct, indirect or consequential, arising from the use of the information contained herein.