



INSTALLATION INSTRUCTIONS FOR PART 82-8148

APPLICATIONS

(see chart inside for specific applications)

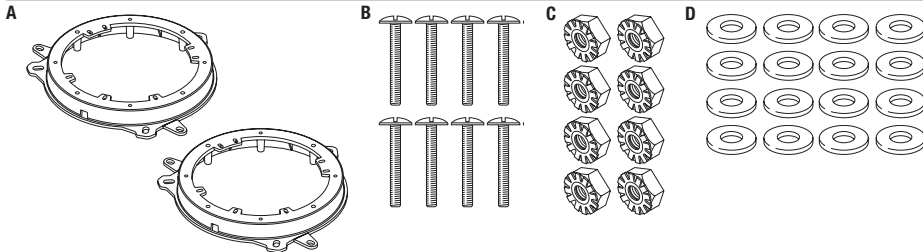
Toyota/Scion multi-application 6" to 6.75" speaker adapter 82-8148

KIT FEATURES

- Provides spacing for aftermarket speaker installation.
Works with all varieties of speakers including component drivers

KIT COMPONENTS

- A) (2) Speaker Adapters • B) (8) 8-32 x 1 ¼" bolts • C) (8) 8-32 Lock-nuts • D) (16) Flat-washers



TOOLS REQUIRED

- Panel removal tool • Phillips screwdriver • Socket wrench • Drill

CAUTION: Metra recommends disconnecting the negative battery terminal before beginning any installation. All accessories, switches, and especially air bag indicator lights must be plugged in before reconnecting the battery or cycling the ignition.

NOTE: Refer to the instructions included with the aftermarket radio.



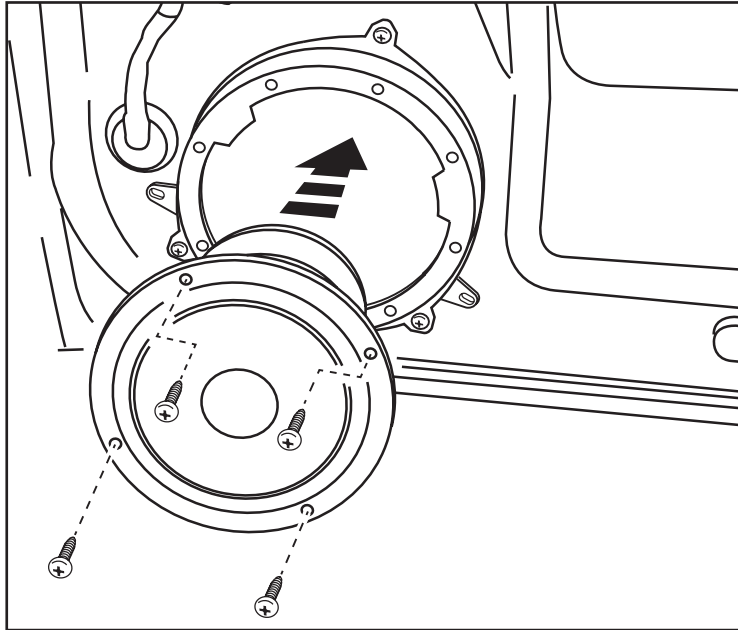
82-8148

Applications

| | | | |
|--|-----------|---|-----------|
| Lexus CT rear location..... | 2009-2013 | Toyota Corolla front location | 2001-2012 |
| Lexus ES front and rear locations..... | 2002-2006 | Toyota Echo front location | 2000-2005 |
| Lexus GS front location..... | 2006-2011 | Toyota Highlander rear location | 2008-2012 |
| Lexus GX rear location | 2003-2012 | Toyota Matrix front and rear locations | 2002-2011 |
| Lexus IS front location | 2001-2012 | Toyota Prius front and rear locations | 2001-2011 |
| Lexus IS rear location | 2006-2012 | Toyota RAV4 front and rear locations | 2001-2011 |
| Lexus RX front and rear locations | 1999-2003 | Toyota Sequoia front and rear locations | 2008-2012 |
| Pontiac Vibe front and rear locations | 2003-2009 | Toyota Sienna front and rear locations | 1998-2012 |
| Scion tC front and rear locations | 2005-2012 | Toyota Solara front location | 1998-2003 |
| Scion xA front and rear locations | 2004-2007 | Toyota Tacoma rear location | 2005-2013 |
| Scion xB front location | 2004-2012 | Toyota Tundra rear location | 2000-2013 |
| Scion xB rear location | 2008-2012 | Toyota Tundra front location | 2003-2006 |
| Scion xD front and rear locations | 2008-2011 | Toyota Venza rear location | 2009-2011 |
| Toyota 4Runner rear location | 2003-2012 | Toyota Yaris front location | 2007-2012 |
| Toyota Avalon rear location | 2005-2011 | Toyota Yaris liftback rear location | 2007-2012 |
| Toyota Celica front and rear locations | 2000-2005 | | |

Kit Assembly

1. Some factory speakers are mounted to the door with rivets. Drill the center of the rivets carefully to remove the factory speaker. Hardware has been provided to use in place of the rivets.
2. Mount the aftermarket speaker to the speaker adapter plate with the screws supplied with the speaker. (Figure A)



(Figure A)