



## Installation instructions for 82-8139

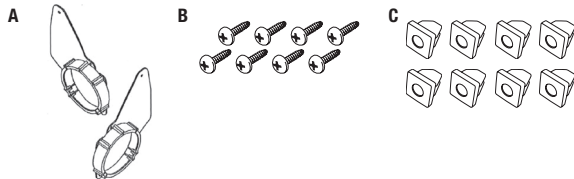
# Toyota T-100 1993-1998 82-8139

### KIT FEATURES

- Mounts 5 1/4" or 6 1/2" speakers to the front door locations

### KIT COMPONENTS

- A) [Speaker adapter plates](#) • B) (8) #10 x 3/4" Phillips screws • C) (8) Nylon inserts



### WIRING & ANTENNA CONNECTIONS (sold separately)

Wiring Harness: • Not required

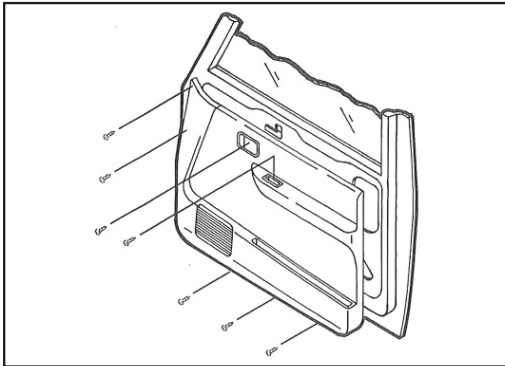
### TOOLS REQUIRED

- Phillips screwdriver • Window crank removal tool

**CAUTION!** Metra recommends disconnecting the negative battery terminal before beginning any installation, unless the vehicle manufacturer recommends against so. Please check with your local Dealership for more information. All accessories, switches, climate controls panels, and especially air bag indicator lights must be connected before reconnecting the battery or cycling the ignition. Also, do not remove the factory radio with the key in the on position, or the vehicle running. It would be best to remove the key from the ignition and then wait a few seconds before removing the factory radio.

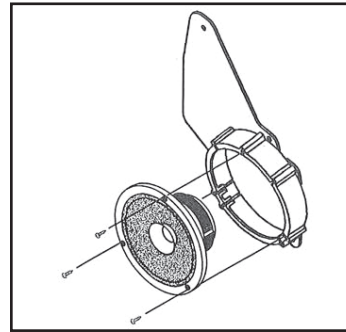
## Door Disassembly

1. Remove (2) Phillips screws from the front edge of the door panel.
2. Remove (3) Phillips screws from the bottom edge of the door panel.
3. Remove (1) screw from the door pull cup, and then remove the cup.
4. Using a window crank removal tool, disengage the spring clip and remove the crank handle.
5. Remove (1) screw from the door latch trim and then remove the trim.
6. Remove (2) Phillips screws from the front edge of the door panel.
7. Lift up the door panel, disconnect the wiring and then remove the panel.
8. Remove (4) screws securing the factory speaker, and then disconnect the wiring.

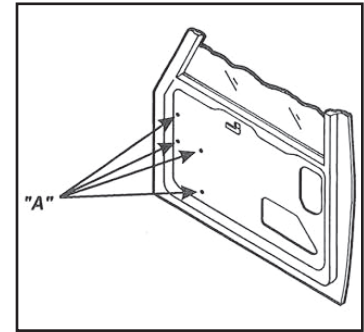


## Kit Preparation

1. Mount the aftermarket speaker to the *speaker adapter plate* with the screws supplied with the speaker. (Figure A)
2. Locate the (4) mounting positions ("A") on the door frame, and then insert (4) *nylon inserts* supplied. (Figure B)



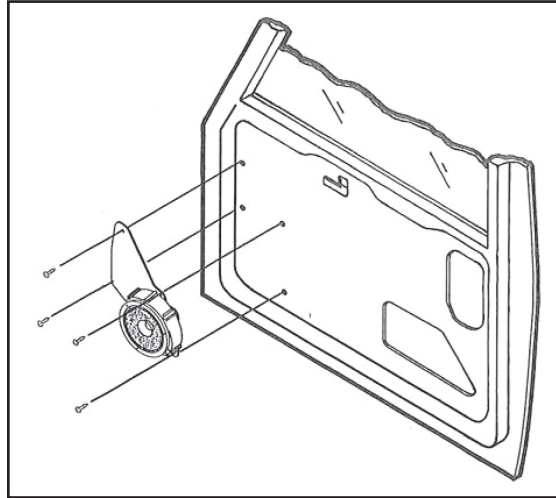
(Figure A)



(Figure B)

## Kit Assembly

1. Mount the speaker assembly to the door frame with (4) #10 x 3/4" Phillips screws supplied. (Figure A)
2. Re-connect the battery terminal and test the speaker for proper operation.



(Figure A)