



## Installation instructions for 82-6901

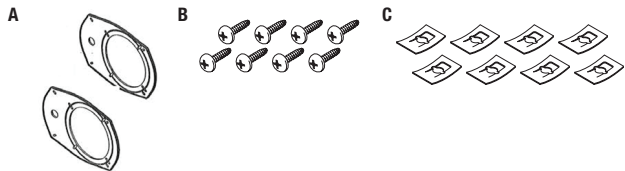
# Universal speaker adapters for mounting 5 1/4" or 6 1/2" speakers to 6" x 8" locations (tweeter provisions included) 82-6901

### KIT FEATURES

- Mounts 5 1/4" or 6 1/2" speaker to 6 x 8" location

### KIT COMPONENTS

- A) Speaker adapter plates • B) (8) #8 X 1/2" Phillips screws • C) (8) Speed clips



### WIRING & ANTENNA CONNECTIONS (sold separately)

- Wiring Harness: • Not required

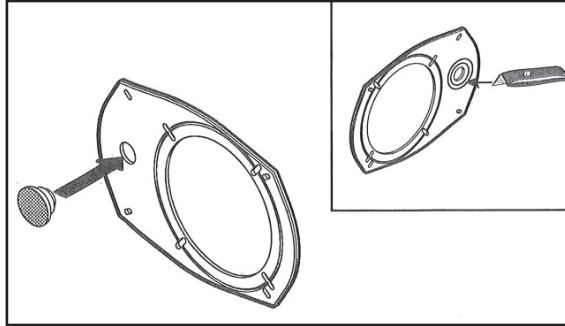
### TOOLS REQUIRED

- Phillips screwdriver • Cutting tool • Pliers

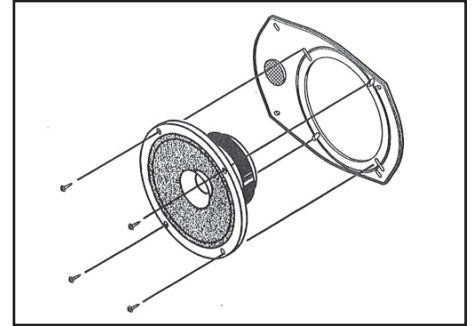
**CAUTION!** Metra recommends disconnecting the negative battery terminal before beginning any installation, unless the vehicle manufacturer recommends against so. Please check with your local Dealership for more information. All accessories, switches, climate controls panels, and especially air bag indicator lights must be connected before reconnecting the battery or cycling the ignition. Also, do not remove the factory radio with the key in the on position, or the vehicle running. It would be best to remove the key from the ignition and then wait a few seconds before removing the factory radio.

## Kit Preparation

1. Mount the tweeter to the speaker adapter plate using the hardware supplied with the tweeter. (if the opening is too small, turn the adapter plate over and widen the opening by cutting along the scored lines. (Figure A)
2. Using the scribed lines as a guide, cut the speaker opening and drill the mounting positions. (Figure B)



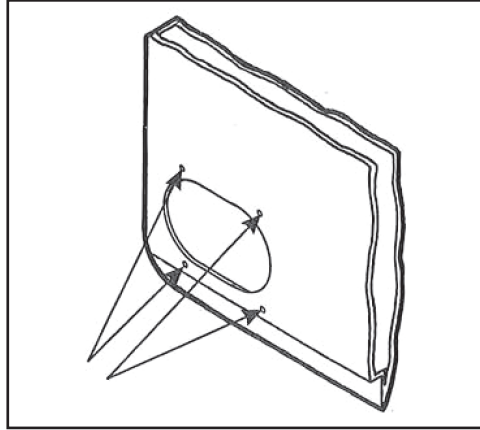
(Figure A)



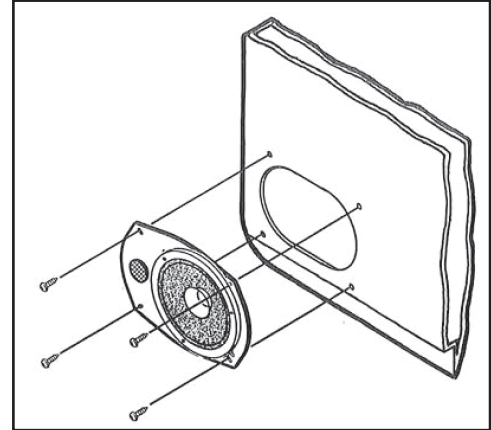
(Figure B)

## Kit Assembly

1. Locate the mounting positions where the speaker will be installed. (Figure A)
2. Mount the speaker assembly to the desired location with (4) #8 x 1/2" Phillips screws supplied. (To provide the necessary support, speed clips must be used on plastic mounting locations). (Figure B)
3. Re-connect the battery terminal and test the speaker for proper operation.



(Figure A)



(Figure B)