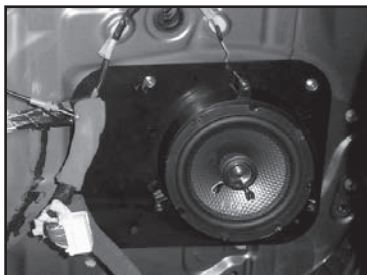




INSTALLATION INSTRUCTIONS FOR PART 82-4600

APPLICATIONS

Universal aftermarket speaker installation kit 82-4600

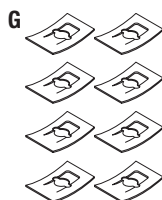
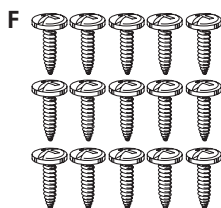
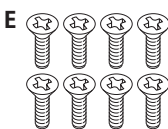
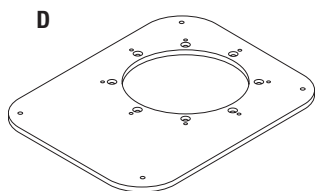
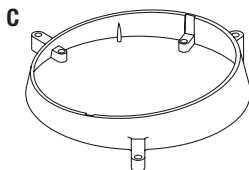
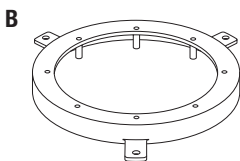
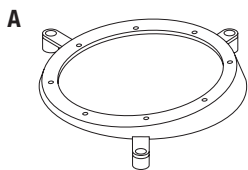


KIT FEATURES

- Provides spacing for 6-1/2" aftermarket speaker installation.

KIT COMPONENTS

- A) (2) Angled top rings (A) • B) (2) 5/8" flat rings (B) • C) (2) Angled spacers • D) (2) Flat plates (D)
- E) (8) #8 x 1/2" flat-head Phillips screws • F) (15) #8 x 5/8" pan-head Phillips screws • G) (8) speed clips



TOOLS REQUIRED

Panel Removal Tool • Phillips Screwdriver • Socket Wrench • Cutting Tool





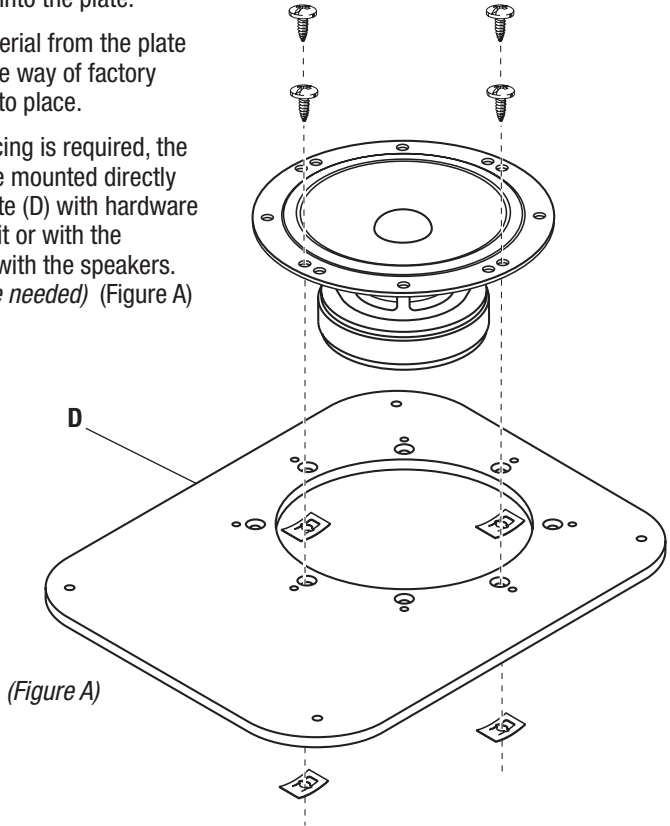
Kit Assembly 82-4600

1. Determine if flat plate (D) will be used or not.

Use factory speaker to mark and drill mounting positions into the plate.

Cut any excess material from the plate (D) that will be in the way of factory panel going back into place.

If no additional spacing is required, the new speaker can be mounted directly to the mounting plate (D) with hardware supplied with this kit or with the hardware supplied with the speakers. *(speed clips may be needed)* (Figure A)





Kit Assembly 82-4600

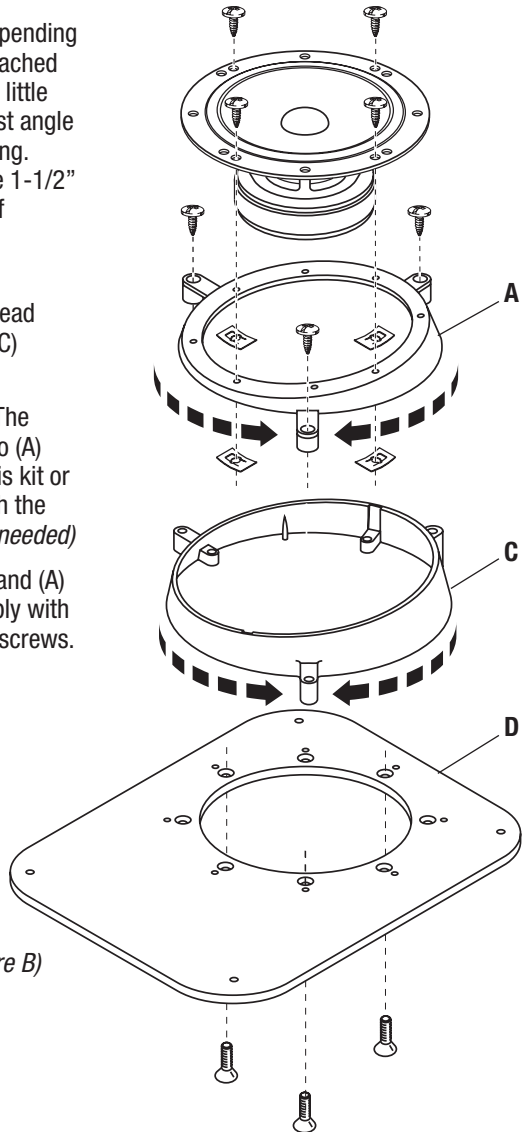
2. Determine depth and angle desired.

There are three fixed angles depending on how rings (A) and (C) are attached to each other (or custom with a little work). (A) and (C) at the steepest angle provide 2-1/4" maximum spacing. (A) and (C) mounted flat provide 1-1/2" spacing. For 1-1/4" to 2-1/4" of spacing, use the (A) and (C) rings together.

Using the provided 1/2" #8 flat head Phillips, mount Angled Spacer (C) to the flat plate.

Mount the new speaker to (A). The new speaker can be mounted to (A) with hardware supplied with this kit or with the hardware supplied with the speakers. (*speed clips may be needed*)

Mount the assembled speaker and (A) to the Spacer and Plate assembly with three of the included pan head screws. (Figure B)



(Figure B)



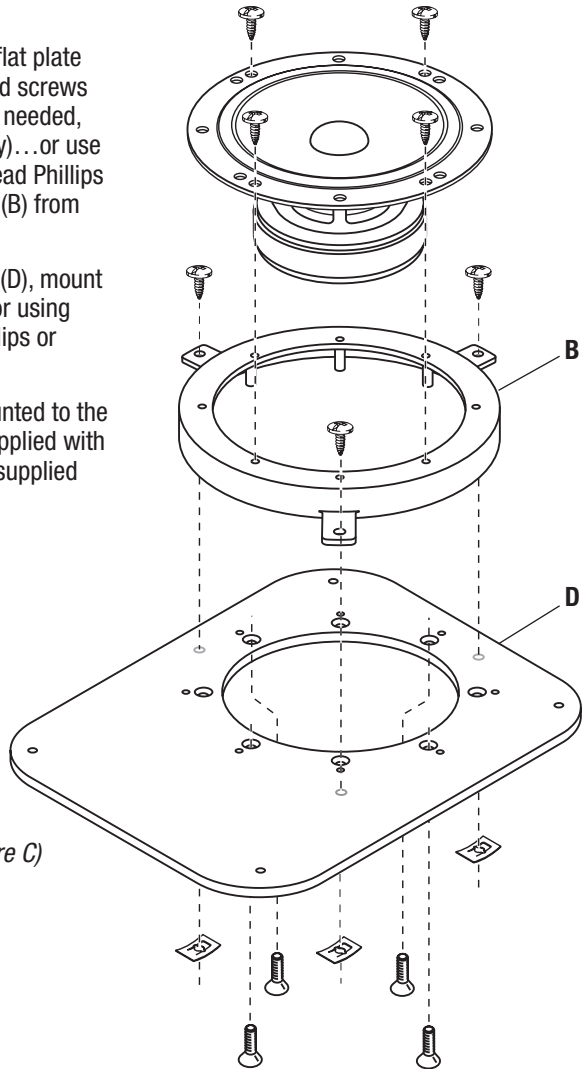
Kit Assembly 82-4600

3. For 5/8" flat spacing.

Attach the flat ring (B) to the flat plate (D) with the included pan head screws (drill holes in flat plate where needed, speed clips may be necessary)...or use the provided #8 x 1/2" flat-head Phillips screws to mount the flat ring (B) from the back of the flat plate.

When not using the flat plate (D), mount the ring (B) directly to the door using three of the #8 pan head Phillips or factory mounting screws.

The new speaker can be mounted to the flat ring (B) with hardware supplied with this kit or with the hardware supplied with the speakers. (Figure C)



(Figure C)