



## INSTALLATION INSTRUCTIONS FOR PART 82-4301

### APPLICATIONS

# Universal 1" speaker spacer rings

(For mounting 6" to 6-3/4" speakers to various locations)

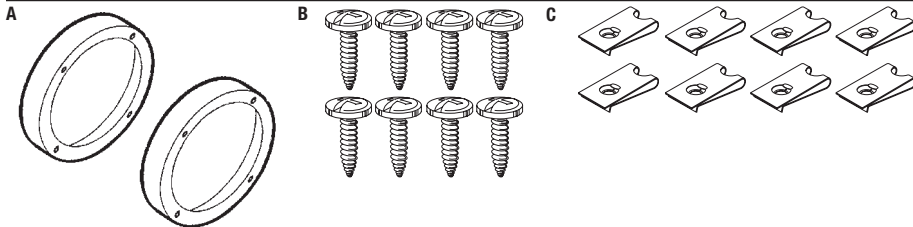
## 82-4301

### KIT FEATURES

- Provides spacing for aftermarket speaker installation.
- Mounting hardware included.

### KIT COMPONENTS

- A) (2) **Speaker Spacer Rings** • B) (8) #8 x 1" Phillips screws • C) (8) Speed Clips



### TOOLS REQUIRED

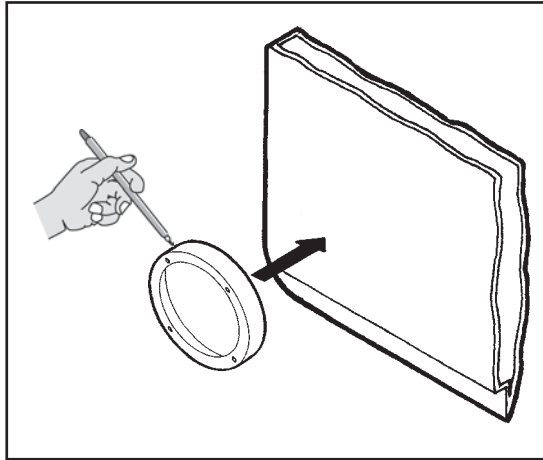
- Phillips screwdriver • Drill

**CAUTION:** Metra recommends disconnecting the negative battery terminal before beginning any installation. All accessories, switches, and especially air bag indicator lights must be plugged in before reconnecting the battery or cycling the ignition.

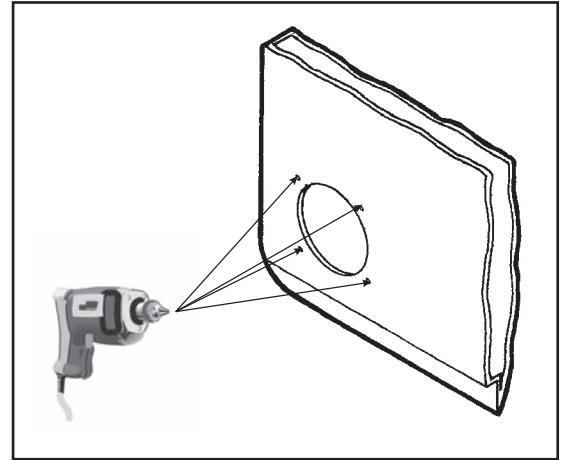
**NOTE:** Refer to the instructions included with the aftermarket radio.

## Kit Assembly

1. Using the speaker spacer ring as a template, scribe the speaker opening and mounting positions onto the desired mounting location. (If speaker provisions are present, skip to step #3). (Figure A)
2. Using the scribed lines as a guide, cut the speaker opening and drill the mounting positions. (Figure B)



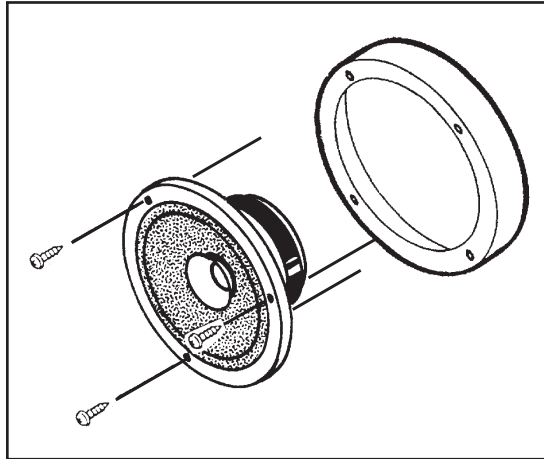
(Figure A)



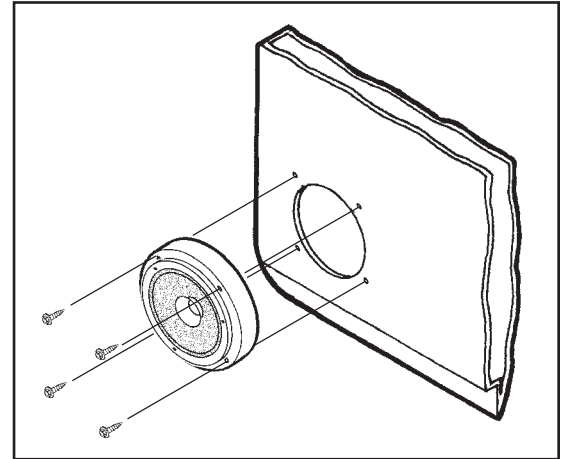
(Figure B)

## Kit Assembly

3. Mount the aftermarket speaker to the speaker spacer ring with the screws supplied with the speaker. (Figure C)
4. Mount the assembly to the desired location with the screws supplied. (To provide the necessary support, use the speed clips). (Figure D)



(Figure C)



(Figure D)