



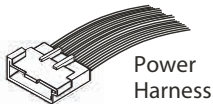
## INSTALLATION INSTRUCTIONS

# 70-5511 70-5512\*

*Ford Premium Sound System Harness  
To Integrate Aftermarket Radio  
with Factory Amplifiers and Speakers*

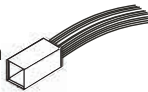
### KIT COMPONENTS

**70-5511**

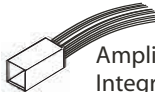


Power  
Harness

Amplifier  
Integration  
Plug



**70-5512 \***

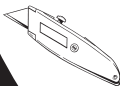


Amplifier  
Integration  
Plug

\*Requires 70-1704  
power harness

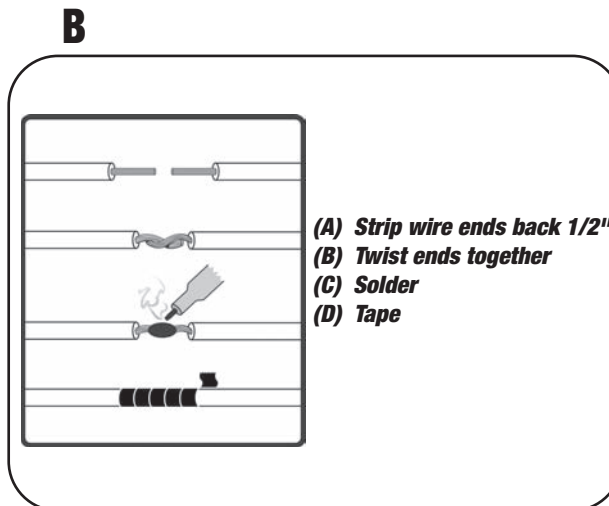
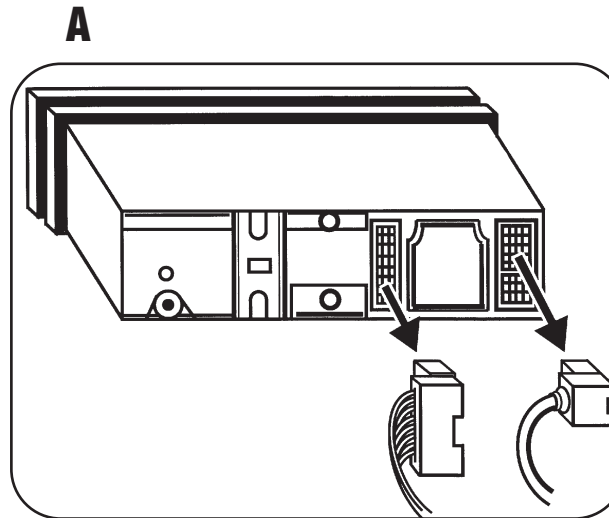
### TOOLS REQUIRED FOR INSTALLATION

- Cutting Tool
- Tape
- Crimping Tool
- Connectors



## TO INSTALL AN AFTERMARKET RADIO WHILE KEEPING THE FACTORY AMPLIFIER AND SPEAKERS

- 1 Disconnect the negative battery terminal to prevent an accidental short circuit.
- 2 Unplug the power and output connectors from the factory radio. (Figure A)
- 3 Splice the wire from the aftermarket radio to the power and amplifier integration harnesses using the color code on page 4 and the instructions included with the aftermarket radio. (Figure B)
- 4 Plug the power and amplifier integration harnesses into the factory power and output connectors.
- 5 Re-connect the negative battery terminal and test the unit for proper operation.

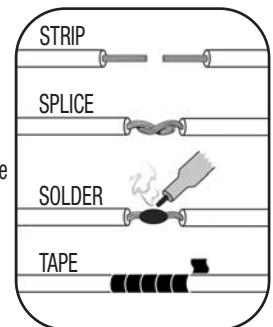


### FINAL WIRING CONNECTIONS

Make wiring connections using the EIA color code chart shown below and the instructions included with the head unit. Metra recommends making connections as shown below; Strip, Splice, Solder, Tape. Isolate and individually tape off ends of any unused wires to prevent electrical short circuit.

### METRA / EIA WIRING CODE

12V Ignition / Acc. . . . .	Red
12V Batt / Memory. . . . .	Yellow
Ground. . . . .	Black*
Power Antenna. . . . .	Blue
Amp Turn-On . . . . .	Blue / White
Amp Ground. . . . .	Black / White
Illumination . . . . .	Orange
Dimmer . . . . .	Orange / White
Right Front (+) . . . . .	Gray
Right Front (-) . . . . .	Gray / Black
Left Front (+) . . . . .	White
Left Front (-) . . . . .	White / Black
Right Rear (+) . . . . .	Violet
Right Rear (-) . . . . .	Violet / Black
Left Rear (+) . . . . .	Green
Left Rear (-) . . . . .	Green / Black



**\*NOTE:** When Black wire is not present, ground radio to vehicle chassis.  
All colors may not be present on all leads due to manufacturer's specifications.