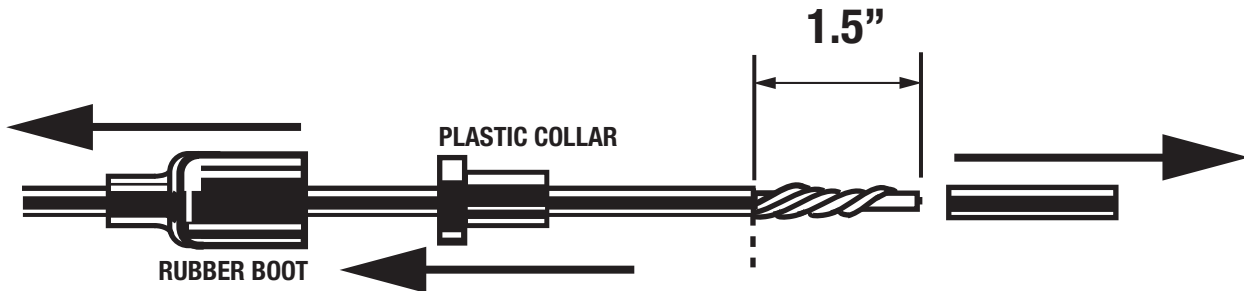
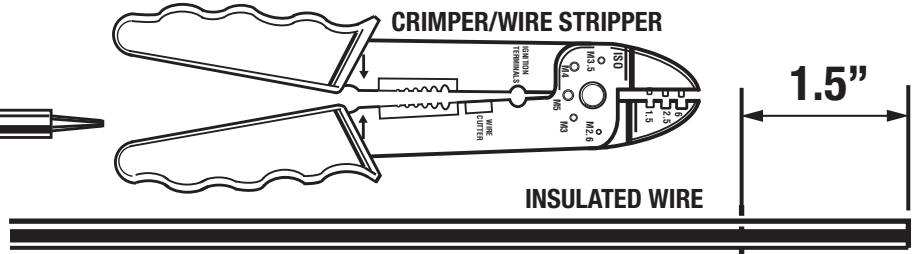


**A**

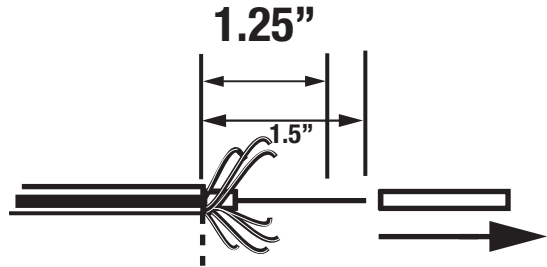
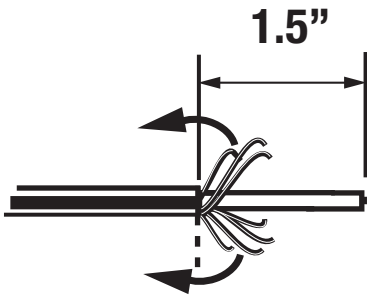
1. Strip outer insulation approx. 1.5" and slide rubber boot then plastic collar over *antenna wire*. (Fig A)

TOOLS NEEDED:



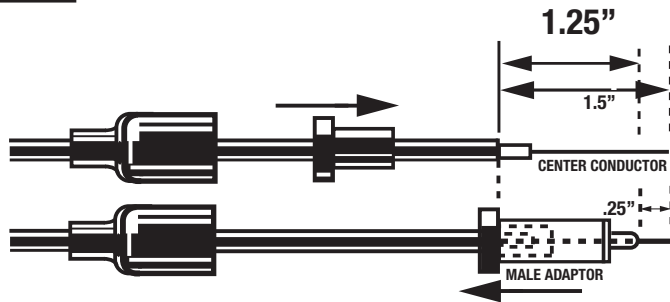
**B**

2. Peel back ground shield over plastic collar. Then strip center insulation 1 1/4". (Fig B)



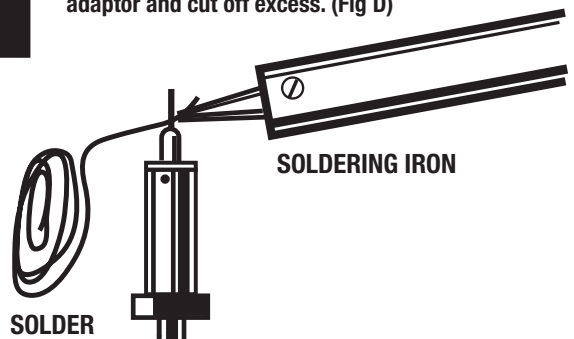
**C**

3. Insert center conductor into the male adaptor making sure that the center conductor is exposed through the tip of the adaptor 1/4". (Fig C)



**D**

4. Solder center conductor to tip of the adaptor and cut off excess. (Fig D)



**E**

5. Crimp bottom part of male adaptor to the plastic collar and cover with rubber boot. (Fig E)

