

MERITOR® DRIVELINE QUICK REFERENCE GUIDE

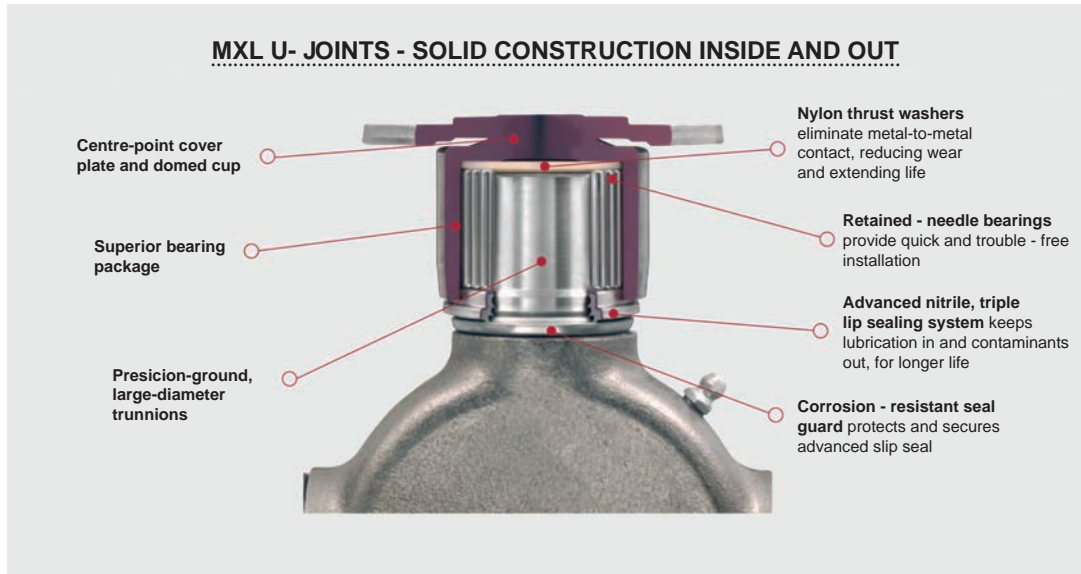


MERITOR®

 IDEAS DRIVING RESULTS



MXL U-JOINT CONSTRUCTION



CENTRE BEARING - SELF ALIGNING

- Accommodates +/- 5-degree driveline angularity
- Sealed bearing With integral deflector shield and grease barrier protects the bearing against contamination Without use of external deflectors

PART NUMBER	APPLICATION
CB210121-1XSA	17N
CB210661-1XSA	17N (Heavy -Duty), 176N & 18N
CB210875-1XSA	17N (Heavy-Duty), 176N & 18N



SLIP YOKES

- Compatible With other industry-standard yokes
- Available With both easy-service and fill-round yoke designs
- Completely interchangeable With most greasable drivelines
- Allows driveline standardisation regardless of vehicle make

PART NUMBER
17N 3 2651X MXL
17N 3 2671X MXL
17N 3 2761X MXL
18N 3 1351X MXL
18N 3 1371X MXL
18N 3 1431X MXL

PART NUMBER	SLIP & STUB ASSEMBLY
17NSLIP	17N 3 2651X MXL + 17N40521
18NSLIP	18N 3 1371X MXL + 18N40191



1310 SERIES

PART TYPE	COMPARISON NUMBER	MERITOR NUMBER	COMMENTS
U-Joint Kit	5-1201X	CP1201X	Full Round
	5-134X	CP134X	Full Round
	5-153X	CP153X	Full Round
	5-353X	CP353X	Full Round
Slip Yokes	2-3-128KX	131N3128KX	
	2-3-8001KX	131N38001KX	
	2-3-8021KX	131N38021KX	
Tube Shafts	2-40-1031	131N401031	
	2-40-1221	131N401221	
	2-40-1701	131N401701	
	2-40-1711	131N401711	
	2-40-1771	131N401771	
	2-40-1851	131N401851	
Flange Yoke	2-2-329	131N2329	
	2-2-479	131N2479	
	2-2-939	131N2939	
Tube Yokes	2-28-277	131N28277	
	2-28-307	131N28307	
	2-28-357	131N28357	
	2-28-367	131N28367	
	2-28-397	131N28397	
	2-28-427	131N28427	
	2-28-437	131N28437	
End Yokes	2-4-473	131N4473	
	2-4-533	131N4533	

1330 SERIES

PART TYPE	COMPARISON NUMBER	MERITOR NUMBER	COMMENTS
U-Joint Kit	5-1204X	CP1204X	Full Round
	5-134X	CP134X	Full Round
	5-213X	CP213X	Full Round
Slip Yokes	2-3-8041KX	133N38041KX	
Tube Yokes	2-28-1177	133N281177	
	2-28-1697	133N281697	
	2-28-1707	133N281707	
	2-28-1717	133N281717	

1350 SERIES

PART TYPE	COMPARISON NUMBER	MERITOR NUMBER	COMMENTS
U-Joint Kit	5-178X	CP178X	Full Round
Slip Yokes	3-3-1501KX	135N31501KX	
	3-3-488KX	135N3488KX	
	3-3-598KX	135N3598KX	
Midship Tube Shafts	3-53-1351	135N531351	
Flange Yoke	3-2-119	135N2119	
Tube Yokes	3-28-427	135N28427	
	3-28-47	135N2847	
	3-28-57	135N2857	

1410 SERIES

PART TYPE	COMPARISON NUMBER	MERITOR NUMBER	COMMENTS
U-Joint Kit	5-160X	CP160X	Full Round
Slip Yokes	3-3-118KX	141N3118KX	
	3-3-508KX	141N3508KX	
Midship Tube Shafts	3-53-1361	141N531361	
Flange Yoke	3-2-159	141N2159	
	3-2-429	141N2429	
Tube Yokes	3-28-367	141N28367	
	3-28-97	141N2897	
End Yokes	3-4-1841-1	141N41841	

1480 SERIES

PART TYPE	COMPARISON NUMBER	MERITOR NUMBER	COMMENTS
U-Joint Kit	5-188X	CP188X	Full Round
Slip Yokes	3-3-1601KX	148N31601KX	LD & MD Driveshaft Style
Flange Yoke	3-2-479	148N2479	Snap Ring Design
Tube Yokes	3-28-537	148N28537	
	3-28-567	148N28567	

1550 SERIES

PART TYPE	COMPARISON NUMBER	MERITOR NUMBER	COMMENTS
U-Joint Kit	5-155X	CP155N	Full Round
Slip Yokes	4-3-1241KX	155N31241X	LD & MD Driveshaft Style
Flange Yoke	4-2-669	155N2669	Snap Ring Design
Tube Shafts	4-40-721	155N40721	

1610 SERIES

PART TYPE	COMPARISON NUMBER	MERITOR NUMBER	COMMENTS
U-Joint Kit	5-279X	M279X	Full Round
	5-674X	M674X	Half Round
Slip Yokes	5-3-108KX	16N3108X	HD Driveshaft Style
	5-3-2261KX	16N32261X	HD Driveshaft Style
	5-3-288KX	16N3288X	HD Driveshaft Style
Tube Shafts	5-40-1011	16N401011	
Midship Tube Shafts	5-53-141	16N53141	Outboard Slip Yokes
Flange Yoke	5-2-279	16N2279	Bearing Plate Design
	5-2-629	16N2629	Bearing Plate Design
Tube Yokes	5-28-627	16N28627	
End Yokes	5-4-1721	16N41721	
	5-4-4961-1	16N43321	
	5-4-4441X	16N44441X	
	5-4-4451X	16N44451X	
	5-4-4841-1X	16N448411X	
	5-4-6251	16N46251	
	5-4-6321-1	16N463211	
		16NYS38-12A	
		16TYS32-76	
	16TYS32-76A		
Deflector/Slinger	98-1361	2847Z312	
	98-1362	DEFR472	
Bearing Strap Kit	5-70-28X	KT16SB	

1710 SERIES

PART TYPE	COMPARISON NUMBER	MERITOR NUMBER	COMMENTS
U-Joint Kit	5-280X	M280X	Full Round
	5-675X	M675X	Half Round
Slip Yokes	6-3-3441KX	17N32401X	HD Driveshaft Style
	6-3-2651KX	17N32651X	HD Driveshaft Style
Slip & Stub Assembly	6-3-2651KX + 6-40-521	17NSLIP	HD Driveshaft Style
Tube Shafts	6-40-521	17N40521	
	6-40-541	17N40541	
Midship Tube Shafts	6-53-201	17N53201	Companion Flange or End Yoke Design
	6-53-311	17N53311	Companion Flange or End Yoke Design
Flange Yoke	6-2-749	17NF1	Bearing Plate Design
Tube Yokes	6-28-137	17N28137	
	6-28-347	17N28347	
Yoke Shafts	6-82-1091-12	17N8211712	

1710 SERIES

PART TYPE	COMPARISON NUMBER	MERITOR NUMBER	COMMENTS
End Yokes	6-4-1981	17N41981	
	6-4-1991	17N41991	
	6-4-1471	17N42271	
	6-4-2381	17N42381	
	6-4-3221	17N43221	
	6-4-3241	17N43241	
	6-4-3291	17N43291	
	6-4-4091	17N44091	
	6-4-4291X	17N44291X	
	6-4-4301X	17N44301X	
	6-4-4361X	17N44361X	
	6-4-4481X	17N44481X	
	6-4-4551	17N44551	
	6-4-4601	17N44601	
	6-4-4741X	17N44741X	
	6-4-4771-1	17N447711	
	6-4-5061X	17N45061X	
	6-4-5111X	17N45111X	
	6-4-5451	17N45451	
	6-4-5461X	17N45461X	
	6-4-5481X	17N45481X	
	6-4-5501	17N45501	
	6-4-5521	17N45521	
	6-4-5961X	17N45961X	
	06-04-21	17N46321	
	6-4-6331	17N46331	
	6-4-6391-1X	17N463911X	
	6-4-6391X	17N46391X	
	6-4-5101X	17N46411X	
	6-4-6421X	17N46421X	
	6-4-6451	17N46451	
	6-4-6481	17N46481	
	6-4-6871X	17N46871X	
	6-4-6891X	17N46891X	
	6-4-6921X	17N46921X	
	6-4-6931X	17N46931X	
	6-4-6941X	17N46941X	
	6-4-6951X	17N46951X	
	6-4-6961-1X	17N469611X	
	6-4-6961X	17N46961X	
	6-4-7181-1X	17N471811X	
	6-4-7181X	17N47181X	
	6-4-7541	17N47541	

1710 SERIES - CONT'D

PART TYPE	COMPARISON NUMBER	MERITOR NUMBER	COMMENTS
End Yokes	6-4-7621-1	17N476211	
	6-4-7641-1X	17N476411X	
	6-4-7851X	17N47851X	
	6-4-9031X	17N49031X	
	6-4-9041X	17N49041X	
	6-4-6401	17NYS32-100	
	6-4-4971	17NYS32-99	
	6-4-6381X	17NYS32-99A	
	6-4-7651X	17NYS3418A1	
	6-4-7561X	17NYS3419A1	
		17NYS34-20	
		17NYS38-17A2	
	6-4-7771X	17NYS38-38A	
	6-4-8331-1X	17TYS3260A	
	6-4-1981-1	17TYSC3154	
	6-4-1981-1	17TYSC3154	
6-4-4601-1	17N446011		
Deflector/Slinger	231616	DEFR621	

1760 SERIES

PART TYPE	COMPARISON NUMBER	MERITOR NUMBER	COMMENTS
U-Joint Kit	5-677X	M677X	Half Round
	5-407X	R407X	Full Round
End Yokes	6.3-4-331-1X	176N43311X	
	6.3-4-181X	176N4181X	
	6.3-4-1031	176NYS38-14	
	6.3-4-781-1X	176N47811X	

1810 SERIES

PART TYPE	COMPARISON NUMBER	MERITOR NUMBER	COMMENTS
U-Joint Kit	5-324X	CP18N-96	Conversion - 9C Series
	5-281X	M281X	Full Round
	5-676X	M676X	Half Round
Weld Yoke	6.5-28-117	18N28117	Standard
	6.5-28-127	18N28127	Heavy Duty
Splined End Yokes	6.5-4-2341X	18N42341X	
	6.5-4-2701	18N42701	SSHD Late
	6.5-4-2781	18N42781	
	6.5-4-3201	18N43201	RT180-185-380
	6.5-4-3021	18N43021	Eaton / Spicer
	6.5-4-3251	18N43251	VARIOUS
	6.5-4-3371	18N43371	RT140
	6.5-4-3491	18N43491	RT14613/14615/14715/15613/14615/16718B/16609/16613/16618/18718B AAnd various other models With 3.750" Hub Seal
	6.5-4-3721	18NYS3827	
	6.5-4-4631	18NYS45	RT14/15/16/18/20 SERIES
Slip Yokes	6.5-3-1351KX	18N31351X-MXL	
	6.5-3-1431KX	18N31431XMXL	
Slip & Stub Assembly		18NSLIP	
Midship Tube Shafts	6.5-53-51	18N5351	
	8-53-41	BSS3610	
	6.5-53-171	18N53171	
	6.5-53-91	18N5391	
Tube Shafts	8-40-91	PS481619	Long
Stub	6.5-40-191	18N40191	Long Male
	6.5-40-201	18N40201	Standard Male
Slinger	6.5-4-3221X	18N43221X	
	6.5-4-3281X	18N43281X	
	6.5-4-3381X	18N43381X	
	6.5-4-3551X	18N43551X	
	6.5-4-3561X	18N43561X	
	6.5-4-3581X	18N43581X	
	6.5-4-3731X	18N43731X	
	6.5-4-3921X	18N43921X	
End Yokes	6.5-4-1891	18N41891	Full Round
	6.5-4-1891-1	18N418911	Half Round
	6.5-4-2531X	18N42531X	
	6.5-4-2271X	18N42271X	
	6.5-4-2711X	18N42711X	Splined Holes
	6.5-4-3201-1	18N432011	Half Round
	6.4-3221-1X	18N432211X	
	6.5-4-3441	18NYS38-15	Full Round

1810 SERIES - CONT'D

PART TYPE	COMPARISON NUMBER	MERITOR NUMBER	COMMENTS
End Yokes	6.5-4-3491-1	18N434911	Half Round
	6.5-4-3561-1X	18N435611X	Half Round
		18NYS34-3A1	
	6.5-4-3591-1	18N435911	
	6.5-4-3731-1X	18N437311X	Half Round
	6.5-4-4571-1X	18N445711X	Half Round
	6.5-4-3731-1X	18TYS38-27A	With Splined Holes (inc. Slinger)
		18N439211X	2.390-46IN 6.0HR

SPL SERIES

PART TYPE	COMPARISON NUMBER	MERITOR NUMBER	COMMENTS
U-Joint Kit	SPL170-3X	US170X	SPL170
	SPL 250-3X	US250X	25 Series - Dual Plane Retainer
End Yokes	170-4-661-1	170TYS321	SPL 170
	170-4-611-1X	170TYS381A	SPL 170
	170-4-741-1X	170TYS382A	SPL 170
	170-4-721-1X	170TYS384A	SPL 170
	250-4-351-1X	250TYS382A	SPL 250

RPL 20R SERIES

PART TYPE	COMPARISON NUMBER	MERITOR NUMBER	COMMENTS
U-Joint Kit		CP20RPLS	
End Yokes		20WYS32-17	
		20WYS32-2	
		20WYS32-2A	
		20WYS32-6A	
		20WYS34-1A	
		20WYS34-2A	
		20WYS34-3A	
		20WYS34-4A	
		20WYS38-11A	
		20WYS38-3A	
		20WYS38-4A	
		20WYS38-8A	
		20WYS40-2A	
		20WYS44-2A	
	20WYS45		

RPL 25R SERIES

PART TYPE	COMPARISON NUMBER	MERITOR NUMBER	COMMENTS
U-Joint Kit		CP25RPLS	
End Yokes	250-4-291-1X	250TYS381A	
		25RY68-3	Weld Yokes
		25WYS36-1A	
		25WYS38-13A	
		25WYS38-6A	
		25WYS38-8A	
		25WYS44-2A	
		25WYS45	
		25WYSC38-11	
		25WYS38-9A1X	
		20WYS32-2P	
		20WYS325A	
		20WYS327A	
	20WYS328A		
SLIP YOKE		25RLS481A	
		25RPLSLIP	

CENTRE BEARINGS

PART TYPE	COMPARISON NUMBER	MERITOR NUMBER	COMMENTS
Bearing Centre Assy Rub	210088-1X	CB2100881X	1310/1330/1350/1410
Bearing Centre 141N	210391-1X	CB2103911X	1410/1480/1550/1550HR
Bearing Centre 141N	210433-1X	CB2104331X	1410/1480/1550/1550HR
Centre Assy	210084-2X	CB2100842X	1480/1550/1610/1710/1880/SPL70
Bearing Centre 17N	210121-1X	CB2101211XSA	SPL140/1610/1710
Bearing Centre Slotted	5003323XB	CB2106611XSA	
Bearing Centre 176N SER	210875-1X	CB2108751XSA	
Bearing Centre Slotted	210661-1X	CB2106611XSA	1760/1710/1810

UNIVERSAL JOINTS

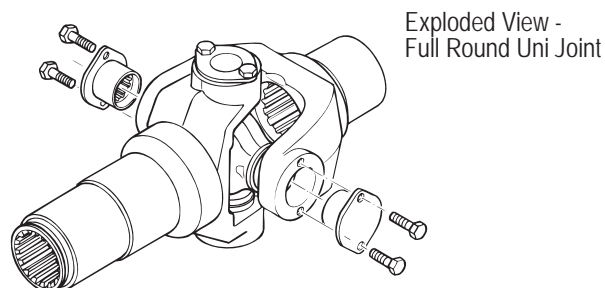
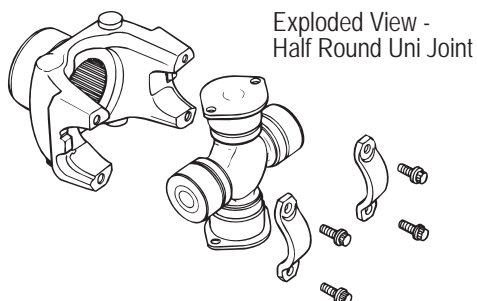
PART TYPE	COMPARISON NUMBER	MERITOR NUMBER	COMMENTS
U-Joint Kit		CP18S3P3	
		CP58WB29.1P3	58WB Series
		CP58WB37.1P3	58WB Series
		CP58WB38.1P3	58WB Series
		CP58WBDWT	58WB Series
		CP58WBHB	58WB Series
	5-6000X	CP62N47P3	62N Series
	NA	CP62N48P3	62N Series
		CP62N49P3	62N Series
		CP62N78P3	62N Series
		CP72N116P3	72N Series
		CP72N121P3	72N Series
		CP72N165P3	72N Series
		CP72N90P3	72N Series
		CP72NDWT	72N Series
		CP82N72.1P3	82N Series
		CP82N74.1P3	82N Series
		CP82N76.1P3	82N Series
		CP82N90P3	82N Series
		CP82NHWDP3	82N Series
		CP850N4	850N Series
		CP85WB48P3	85WB Series
		CP85WB62P3	85WB Series
	CP85WB73P3	85WB Series	

UNIVERSAL JOINTS - CONT'D

PART TYPE	COMPARISON NUMBER	MERITOR NUMBER	COMMENTS
U-Joint Kit		CP85WBHWD	85WB Series
		CP85WBHWDPL	85WB Series
		CP92N106P3	92N Series
		CP92N115P3	92N Series
		CP92N66	92N Series
		CP92N66P3	92N Series
		CP92N71P3	92N Series
		CP92N72P3	92N Series
		CP92N73P3	92N Series
		CP92NDWT	92N Series
		CP92NHBPL	92N Series
		CP92NHWDPL	92N Series
		MCP380	Volvo
		MCP381	Volvo
		CP750N1	750N Series
		CPL15N1S	L15 Series
	5-3147X	CP3147X	3R Series
	5-92X	CPL6R50	L6 Series
	5-105X	CP105X	1110 Series
	5-103X	CP103X	1000
5-1306X	CP1306X	7260	
5-170X	CP170X	1000	
5-9001X	CP92NHWD	9C/1820	
	CP950N	950N	

FAST MOVING UNIVERSAL JOINTS

PART TYPE	COMPARISON NUMBER	MERITOR NUMBER	COMMENTS
U-Joint Kit	5-279X	M279X	Full Round
	5-674X	M674X	Half Round
	5-280X	M280X	Full Round
	5-675X	M675X	Half Round
	5-677X	M677X	Half Round
	5-407X	R407X	Full Round
	5-281X	M281X	Full Round
	5-676X	M676X	Half Round



MISCELLANEOUS

PART TYPE	COMPARISON NUMBER	MERITOR NUMBER	COMMENTS
Deflector Yoke		DEFR404	52N
	231022	DEFR485	1610/1710/1760/1810
	230909	DEFR421	SPL90/1410/1480/1550/1610/1650/1710
	231028	DEFR482	1550/1610/1710/1760/1810
	231599	DEFR4713	SPL140/1610/1710/1810
	231101	DEFR477	SPL140/1610/1710
	231102	DEFR504	SPL170/1610/1710
	231359	DEFR507	SPL90/SPL140/SPL170/1550/1610/1710/
	231179	DEFR541	SPL170/SPL250/1610/1710/1460/1810/
	231013	DEFR552	1610/1710/1760/1810/
	231047	DEFR562	1760/1810
	231803	DEFR567	SPL90/SPL140/SPL170/SPL250/1610/1710/1810
		DEFR591	
		DEFR592	
Deflector Yoke RPL 20		DEFR64	RPL 20R
		DEFR535	
Dust Caps/Yoke	6.3-8618	SERUR334	
Seal Dust		SERUR32-7	RPL 20R
Seal Dust		SERUR40-21	RPL 25R
End Yoke		92NYS3227	92N
End Yoke		92NYS3869	92N
Flange Assembly FUI 180/150 PCD KV70		Z3260F1072	
Hardware Kit	5007417	R980001	SPL140/SPL170/SPL250
Kit Strap & Capscrew	3-70-28X	KT122	1350/1410
Kit Service	6-5-70-18X	KT17SB	1710/1810
Kit Dust Cap/Wshr 1350/1410 RD	D3A	ND3A	1350/1410
Kit Dust Cap/Wshr 1410/1480 RD	D3H	DC148N1	1410/1480
Locknut		1227C939	
Locknut	231502	1227Z936	1550/1610/1650/SPL90/1710/1760/1810/1880
Round Tubing	36-30-102-10000	RT4597108	
Screw Cap	5-73-109	S155B2	1610
Screw Cap	6-73-209	S165B2	1710/1760/1810
Slinger - CTR/BRG 3.312 I.D	230746	DEFR551	1710/1810
Slip Yoke 9C 3" 16		92NLS4847DC	92N

MISCELLANEOUS - CONT'D

PART TYPE	COMPARISON NUMBER	MERITOR NUMBER	COMMENTS
Slip Yoke Assy WNG BRNG 72N		72NLS32142A	72N
Slip Yoke Assy WNG BRNG 72N		72NLS3220DC	72N
Slip Yoke Assy WNG BRNG 92N		92NLS4866A	92N
Strap	3-70-99	REBC1482	1480/1550
Strap Retainer		REBC17S	1760/1710/1810
Tube Shaft - 3.000 -16SP 11.531	8-40-101	PS481616	1810/1880
U-Bolt Kit - 1260/1330 U/Joint	2-94-28X	KT116	1210/1310/1330 - 2 U-bolts and 4 Nuts each
U-Bolt Kit - 1350/1410 U/Joint	3-94-18X	KT117	1350/1410
U-Bolt Kit -1480/1550 U/Joint	3-94-28X	KT118	1480/1550
Washer - Special	230123-6	WAR211	1710/HD/1760/1810/SPL70/SPL100/SPL140/SPL170/ SPL250/1810 BP
Weld Yoke WNG BRNG 72N		72NYS220	
Yoke		L6NYS1331	
End Yoke		92NYS3225	
Yoke Shaft		950NYSM381	
Yoke & Deflector Assy		92NYS38-52A	
Yoke Steering		L6NYS14-100	

END YOKES PARTS FOR MERITOR DRIVE AXLES

140/145 FORWARD CARRIERS

DESCRIPTION	AFTERMARKET NUMBER
Yoke Input 1810 Full Round (2.39 -46 SPLINE,LARGE SHAFT)	18N43731X
Yoke Input 1810 Half Round (2.39 -46 SPLINE,LARGE SHAFT)	18TY3827A
Yoke Input 1710 Full Round (2.39 -46 SPLINE,LARGE SHAFT)	17N47181X
Yoke Input 1710 Half Round (2.39 -46 SPLINE,LARGE SHAFT)	17N471811X
Yoke Input 1810 Full Round (2.00 -39 SPLINE,SMALL SHAFT)	18N43381X
Yoke Input 1810 Half Round (2.00 -39 SPLINE,SMALL SHAFT)	18N43381-1X
Yoke Input 1710 Full Round (2.00 -39 SPLINE,SMALL SHAFT)	17N46411X
Yoke Input 1710 Half Round (2.00 -39 SPLINE,SMALL SHAFT)	17N76411X
Yoke Output 1710 Full Round (2.00 -39 SPLINE,SMALL SHAFT)	17NYS3299

140/145 REAR CARRIERS

DESCRIPTION	AFTERMARKET NUMBER
Yoke Input 1710 Full Round	17N46391X

160 FORWARD CARRIERS

DESCRIPTION	AFTERMARKET NUMBER
Yoke Input 1810 Full Round	18N43731X
Yoke Input 1810 Half Round	18TYS3827A
Yoke Output 1710 Full Round	17NYS3299

160 REAR CARRIERS

DESCRIPTION	AFTERMARKET NUMBER
Yoke Input 1710 Full Round	17NYS3838A
Yoke Input 1710 Half Round	17N47181X

180/185 & 380 FORWARD CARRIERS

DESCRIPTION	AFTERMARKET NUMBER
Yoke Input 1810 Full Round	18N43221X
Yoke Input 1810T Half Round	18N432211X
Yoke Output 1710 Full Round	17NYS3299

180/185 & 380 REAR CARRIERS

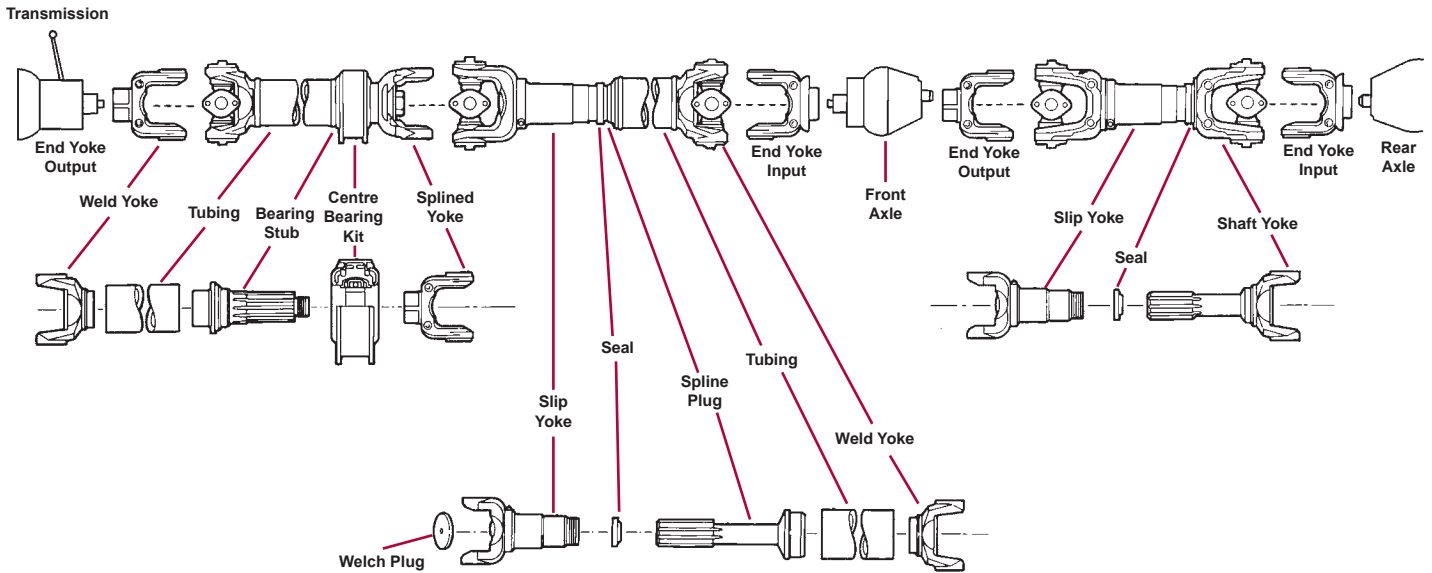
DESCRIPTION	AFTERMARKET NUMBER
Yoke Input 1710 Full Round	17N47851X
Yoke Input 1810 Full Round	18N43581X

DRIVELINE COMPONENTS

Instead of just replacing your driveline and components, why not install a better idea?

Meritor drivelines and components result in greater distances, lower maintenance and a bigger R.O.I.

The Meritor XTended Lube MXL driveline can cut your lubrication costs in half. With it's advanced nitrile seal, the MXL extends lube intervals to 80,000 kms.



SERVICE U-JOINT KITS



STRAP & BOLT KITS:

- KT16SB
- KT17SB
- KT122
- KT124



U-BOLT KITS:

- KT116
- KT117
- KT118