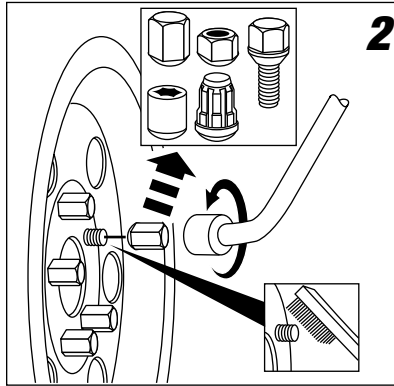
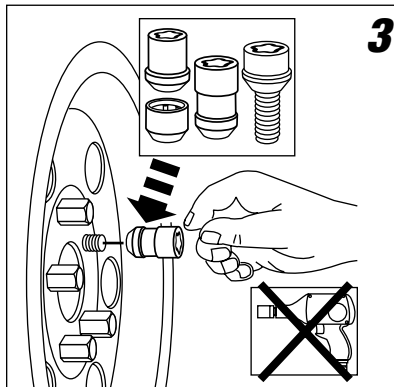


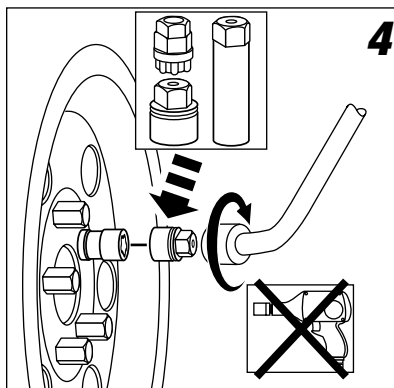
1



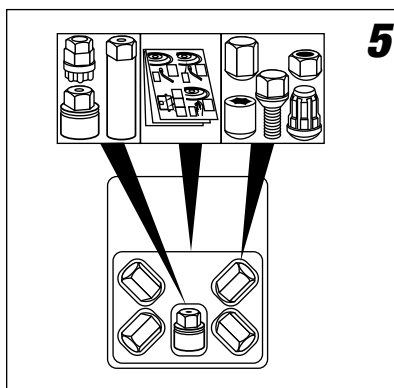
2



3



4



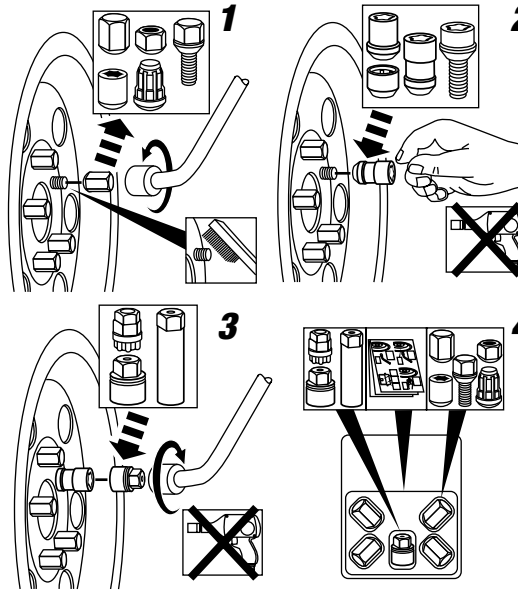
5

**McGard®**

## Thank You For Choosing McGard® Wheel Locks.

McGard also offers chrome plated lug nuts to enhance the look and performance of your wheels and tires. You should consider replacing those old rusty lug nuts with nothing less than the best. Our *Tough Nuts®* are guaranteed for life not to rust, chip or peel.

Quality Products Are Your Best Value. McGard offers many other reliable security products for your car, truck and boat: spare tire locks; tailgate locks; center cap locks; stern drive locks; propeller locks and outboard motor locks.



2 See complete installation instructions and warranty information enclosed.

071582B

**(US) WARNING:** This McGard product is to be used only in accordance with the specific instructions contained within this package. McGard assumes no responsibility for misapplication or misuse of the information contained within its printed literature. The user must verify with the vehicle manufacturer and wheel manufacturer the correct lug nut or lug bolt thread size, length and shape of seat (cone, radius or flat seat) before installing McGard® wheel locks or lug nuts. Use of the wrong size or type of lug nut will damage the receiving thread and may cause failure or loss of the wheel which may result in serious injury. As wheel covers and hubcaps can pose a clearance problem depending upon their shape, some McGard products may not be able to be used on some vehicles. McGard is not responsible for clearance problems with hubcaps or wheel covers.

### (US) **Wheel Lock Installation Instructions**

**1** Place the label with the wheel lock replacement key code onto the inside of your vehicle's glove compartment. Computer register your key code by completing the remaining portion of the form and returning it to McGard in the envelope provided. **This service is FREE.** Registration will assist you if you ever need to order a replacement key.

**2** Remove wheel covers (if equipped) and one lug nut/bolt from each wheel. If studs are rusty, clean with a wire brush prior to installing wheel locks. Do not lubricate threads.

**Note:** Wheel locks should always be the last nut/bolt tightened on each wheel and should be the first one loosened.

**3** By hand, install one McGard® Wheel Lock onto each wheel to replace the lug nut/bolt removed in step 2. Use only one lock per

wheel. Note: If original lug nuts/bolts use a washer/plastic cap, be sure to install the washer/plastic cap included in package onto the wheel locks.

**Notice:** Air impact guns should not be used for installation of locks or lug nuts/bolts. Use of an impact gun for installation may cause over tightening resulting in difficulty of removal and permanent damage to the lock and key. Overtightening can also cause damage to brake rotors and wheel seats.

**4** Using the McGard key and a lug wrench, tighten each lock to the torque specified in your vehicle owner's manual. Be sure to keep the key pattern squarely engaged into the lock pattern via direct inward pressure. For best results, use a torque wrench and socket for final tightening. Wheel locks

should be re-torqued after 25 miles (40Km) of driving. Newly installed lug nuts/bolts should also be re-torqued.

**5** Place your key tool, extra lug nuts/bolts and this instruction sheet into the package and close. Store this package in a secure location inside the vehicle. It's also a good idea to have a spare key. You can order a spare key on the order form contained in the package and return it to McGard along with your Wheel Lock Registration Form. A nylon & elastic key storage pouch that slips onto most lug wrenches can also be ordered. This pouch keeps your key right where you need it. **7.**

Learn more about lug nuts and wheel locks we have.