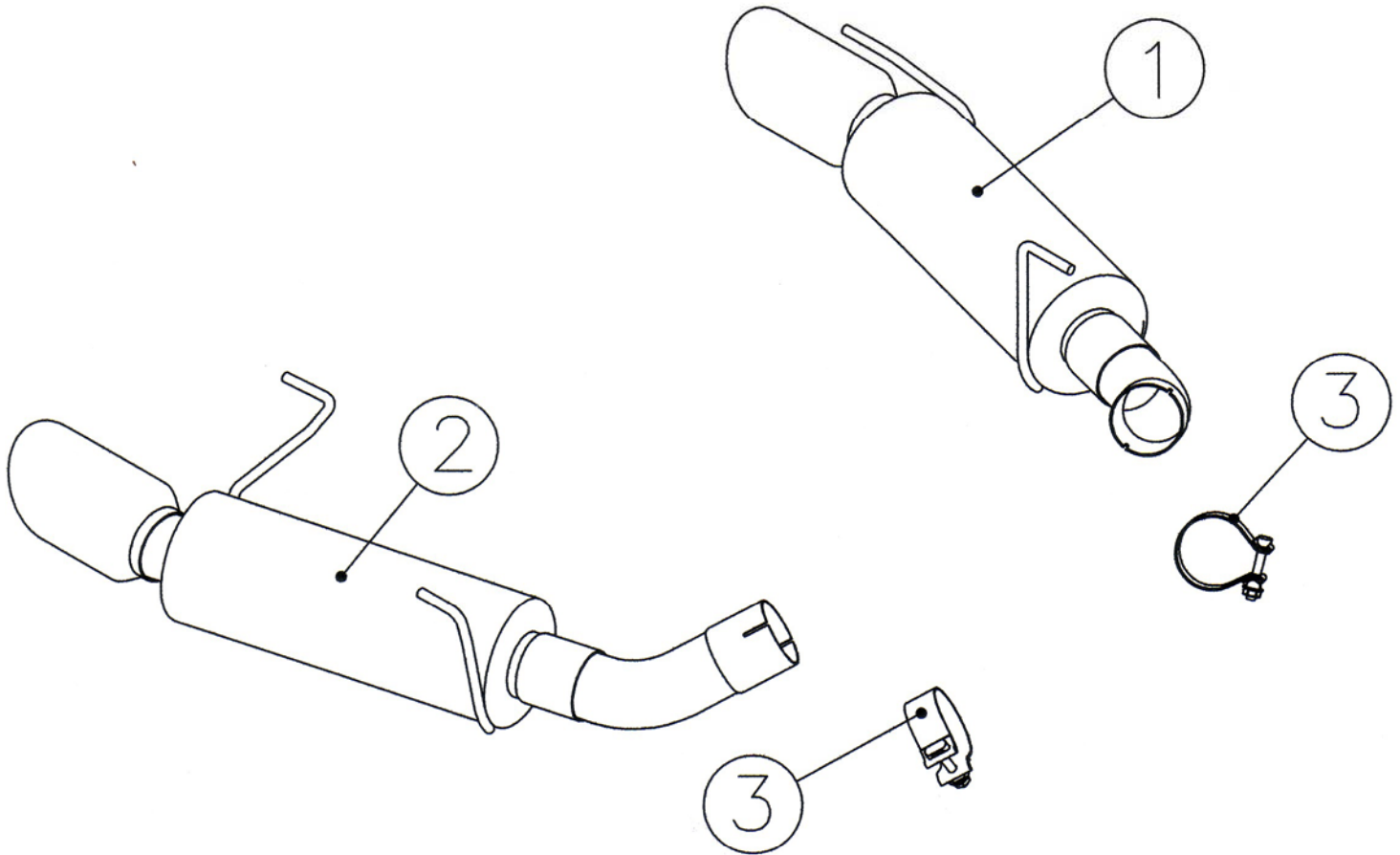


S7200304
2005-06 MUSTANG GT
4.6L

MBRP INC.
PERFORMANCE EXHAUST



1. DRIVER SIDE MUFFLER
2. PASSENGER SIDE MUFFLER
3. 2.5" ACCUSEAL CLAMPS (2)



PERFORMANCE EXHAUST

2005-06 Ford Mustang GT, 4.6L

PLEASE READ BEFORE STARTING INSTALLATION

While MBRPinc has made every effort to ensure that all components of this system are of superior quality and properly packaged, it is the installer's responsibility to ensure the following before removal of the factory exhaust:

- that ALL components shown in the illustration on page 1 are present.
- that ALL mating components fit together.
- that there are no damaged components.
- that the system you have purchased is appropriate for your vehicle year, model and configuration.
- that the system will not interfere with any modifications previously installed.
- that you have read and understand these instructions.

If you have any questions or are uncertain about any aspect of the installation of this system to your vehicle please contact your dealer before commencing installation.

Removal of stock system:

1. Apply a penetrating lubricant liberally to all exhaust fasteners, hangers and rubber insulators.
2. Loosen the band clamp located just behind the mufflers on both the driver and passenger sides.
3. Remove the bolts retaining the rubber insulators and remove the muffler assemblies from the vehicle. Remove the insulators from the mufflers. Do not discard the bolts or the insulators as they are required for the installation of the MBRPinc. mufflers.

Installation of MBRP Inc. Performance Exhaust:

1. Slide the insulators over the muffler hangers so that when the mufflers are installed the insulators will be positioned beside the frame rails.
2. Slide a **2.5" Accuseal clamp** over the **Driver Side Muffler**. Now slip the **Driver Side Muffler** onto the factory exhaust pipe.
3. Move the **Driver Side Muffler** into place and attach the rubber insulators using the bolts previously removed.
4. Slide a 2.5" Accuseal clamp over the Passenger Side Muffler. Now slip the **Passenger Side Muffler** onto the factory exhaust pipe.
5. Move the **Passenger Side Muffler** into place and attach the rubber insulators using the bolts previously removed.
6. Align the exhaust as required before tightening **Clamps**. Due to variance in the factory H-pipe location it may be Necessary to loosen the two clamps located in front of the factory H-pipe to achieve a good alignment.
7. Check along the whole length of the exhaust system to ensure that there is adequate clearance around the fuel and brake lines or any wiring. If any interference is detected relocate or adjust.

Congratulations! You are ready to begin enjoying the improved performance and driving experience of your MBRP Inc. performance exhaust system. We hope you enjoy your purchase.