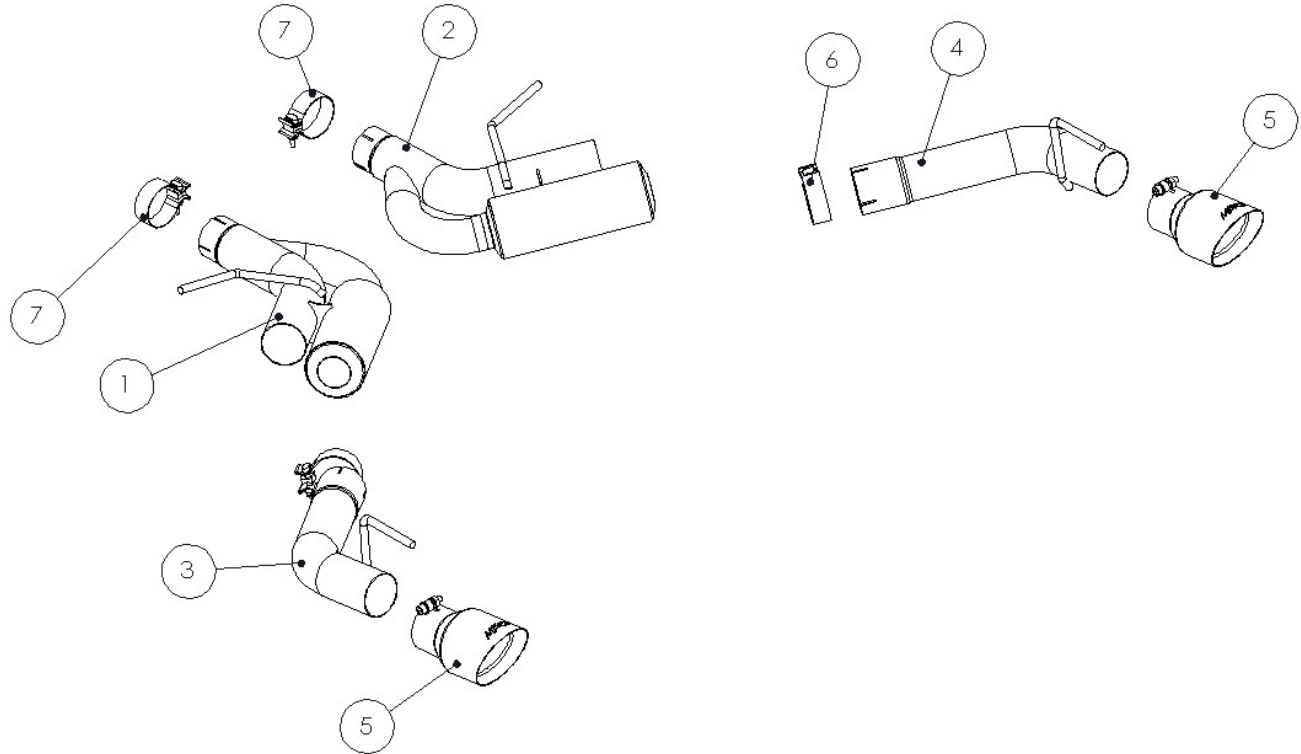


S7034

2016 UP CAMARO SS AXLE BACK KIT -
DUAL EXHAUST

MBRP
INC.
PERFORMANCE EXHAUST



1. DRIVER-SIDE EXTENSION PIPE
2. PASSENGER-SIDE EXTENSION PIPE
3. DRIVER-SIDE TAILPIPE
4. PASSENGER-SIDE TAILPIPE
5. TIP [2 PCS]
6. 3.0" CLAMP [2 PCS]
7. 2.75" CLAMP [2 PCS]

PLEASE READ BEFORE STARTING INSTALLATION

While MBRP Inc. has made every effort to ensure that all components of this system are of superior quality and properly packaged, it is the installer's responsibility to ensure the following before removal of the factory exhaust:

- that ALL components shown above are present.
- that ALL mating components fit together.
- that there are no damaged components.
- that the system you have purchased is appropriate for your vehicle year, model and configuration.
- that the system will not interfere with any modifications previously installed or planned.
- that you have read and understand these instructions.

If you have any questions or are uncertain about any aspect of the installation of this system to your vehicle please contact your dealer before commencing installation.

Removal of Stock System

Note: Installation requires cutting the OEM Exhaust

1. Apply a penetrating lubricant liberally to all exhaust fasteners, hangers and rubber insulators.

2. Using a Sawsall or similar, cut the OEM pipes so they are flush with the **REAR** vertical surface on the rear suspension crossmember. **NOTE;** Cut image shows quad tip exhaust. Cut location is the same on dual and quad tip OEM systems.
Refer to Figures 1 and 2.

3. Remove the nuts from the rear muffler hangers. With the help of an assistant, remove the front muffler hangers and lower the OEM muffler assembly. Retain the brackets and hardware as these will be reused.
Refer to Figure 3.

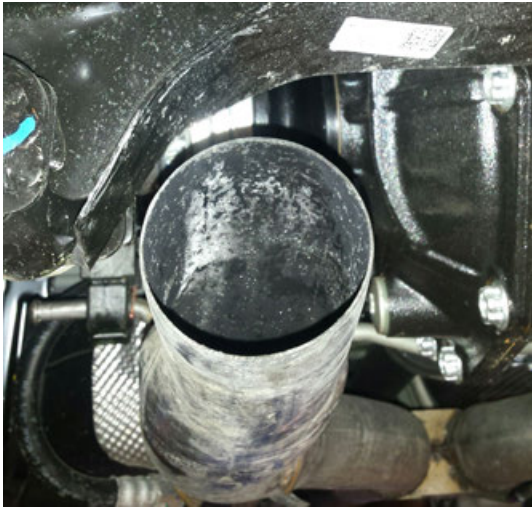


Figure 1

CUT LINE

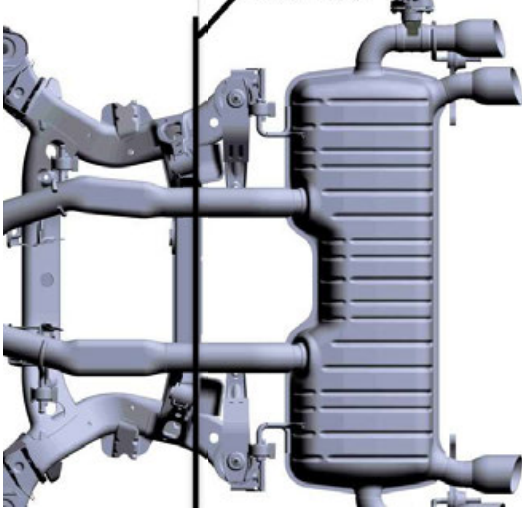


Figure 2



Figure 3.



Figure 4

Installation of *MBRP Inc.* Performance Exhaust



Figure 5

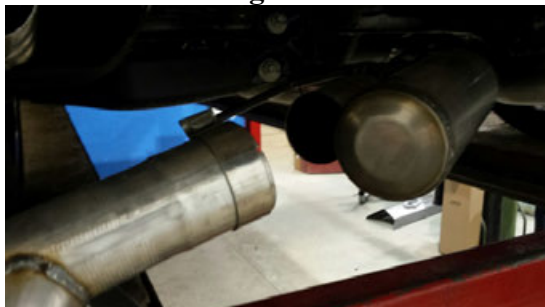


Figure 6



Figure 7



Figure 8



Figure 9

1. Install the **Driver-Side Extension Pipe** by first installing a **2.75" Clamp** over the inlet before installing it onto the OEM pipe. Install the pipe with approximately 1.5" of overlap. Leave it angled down slightly to help with the rest of the installation. **Refer to Figure 4.**

2. Install the OEM rear muffler hanger onto the **Driver-Side Tailpipe** as shown. Install a **3" Clamp** onto the inlet. **Refer to Figure 5.**

3. Install the **Driver-Side Tailpipe** onto the **Driver-Side Extension Pipe**. Once fully seated, rotate both assemblies up into position before installing the rear muffler hanger and securing with the previously removed nuts. **Refer to Figures 6, 7, and 8.**

4. Reinstall the front muffler hanger onto the **Driver-Side Extension Pipe**.

5. Repeat steps 1-4 for the passenger-side components.

6. Install the **Tips** and align the system to center them in the rear fascia. Tighten all clamps and inspect for proper clearance between any wiring and hoses. **Refer to Figure 9.**

Congratulations! You are ready to begin experiencing the improved performance and driving pleasure of your *MBRP Inc.* performance exhaust system. We know you will enjoy your purchase.