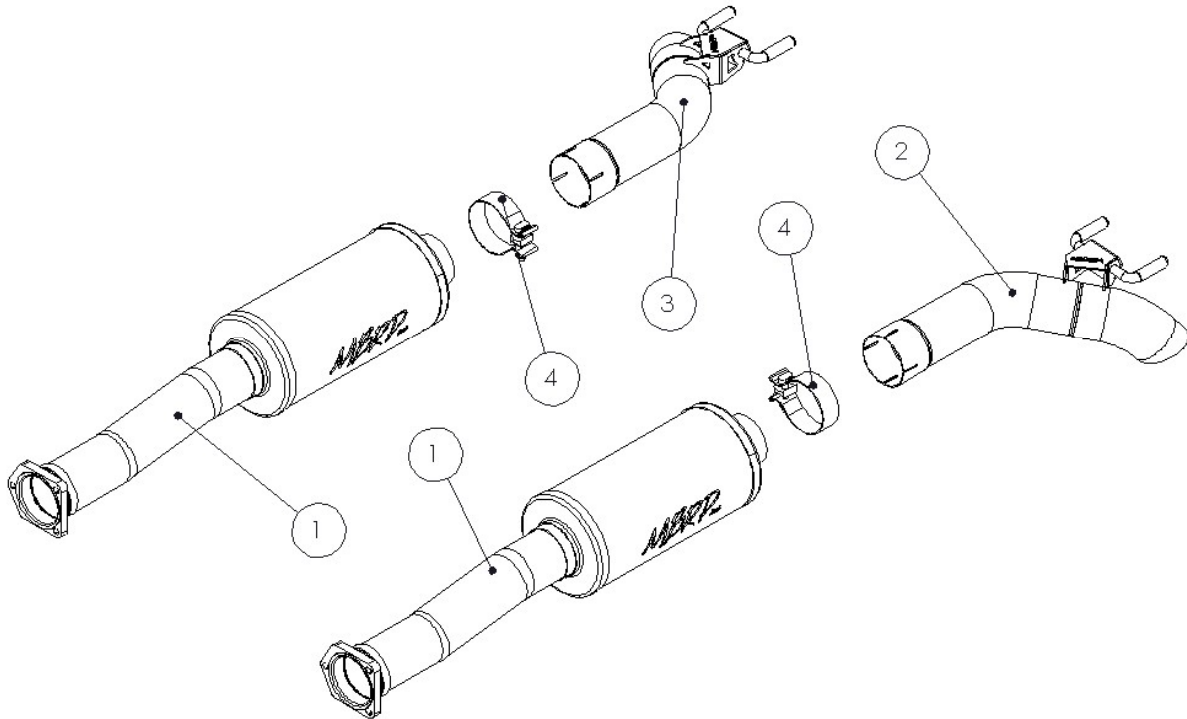


S5600

2003-2018 W463A G-CLASS
G500/G55/G63/G65 (North American)

MBRP



ITEM	DESCRIPTION	QTY.
1	MUFFLER ASSEMBLY	2
2	DRIVER-SIDE TAILPIPE	1
3	PASSENGER-SIDE TAILPIPE	1
4	3.0" BAND CLAMP	2

PLEASE READ BEFORE STARTING INSTALLATION

While MBRP Inc. has made every effort to ensure that all components of this system are of superior quality and properly packaged, it is the installer's responsibility to ensure the following before removal of the factory exhaust:

- that ALL components shown above are present.
- that ALL mating components fit together.
- that there are no damaged components.
- that the system you have purchased is appropriate for your vehicle year, model and configuration.
- that the system will not interfere with any modifications previously installed or planned.
- that you have read and understand these instructions.

If you have any questions or are uncertain about any aspect of the installation of this system to your vehicle please contact your dealer before commencing installation.

MBRP

Removal of Stock System



Figure 1

1. Apply penetrating lubricant liberally to all exhaust fasteners, hangers and rubber insulators.
2. Remove the 3 nuts and bolts at the flange connection and remove the OE muffler assembly from the vehicle. Repeat for both driver and passenger sides. Retain the OE gasket inserts and hardware as they will be reused.

Refer to Figure 1.

Installation of MBRP Inc. Performance Exhaust:

1. Pre-Assemble the Passenger-Side exhaust assembly on the floor by first installing a **3" Band Clamp** onto the **Passenger-Side Tailpipe** before installing it onto the outlet of a **Muffler Assembly**. Adjust the **Muffler Assembly** and **Passenger-Side Tailpipe** as shown in Figure 3.

Refer to Figures 2 and 3.



Figure 3

2. Install the Passenger Side assembly onto the vehicle by first sliding the hangers into the rubber isolators, followed with the installation of a OE gasket Insert. Secure the 3 bolt flange with the OE hardware previously removed.

Refer to Figure 4.

3. Repeat steps 1 and 2 for the Driver Side components.

4. Adjust the rotation of both **Tailpipes** so the hangers are positioned centered in the rubber isolators.

5. Adjust the system to provide clearance between all other under body components and hoses. Tighten all clamps once properly adjusted.



Figure 2



Figure 4

Congratulations! You are ready to begin experiencing the improved power, sound and driving experience of your *MBRP Inc.* performance exhaust system. We know you will enjoy your purchase.

Learn more about performance exhaust systems we have.