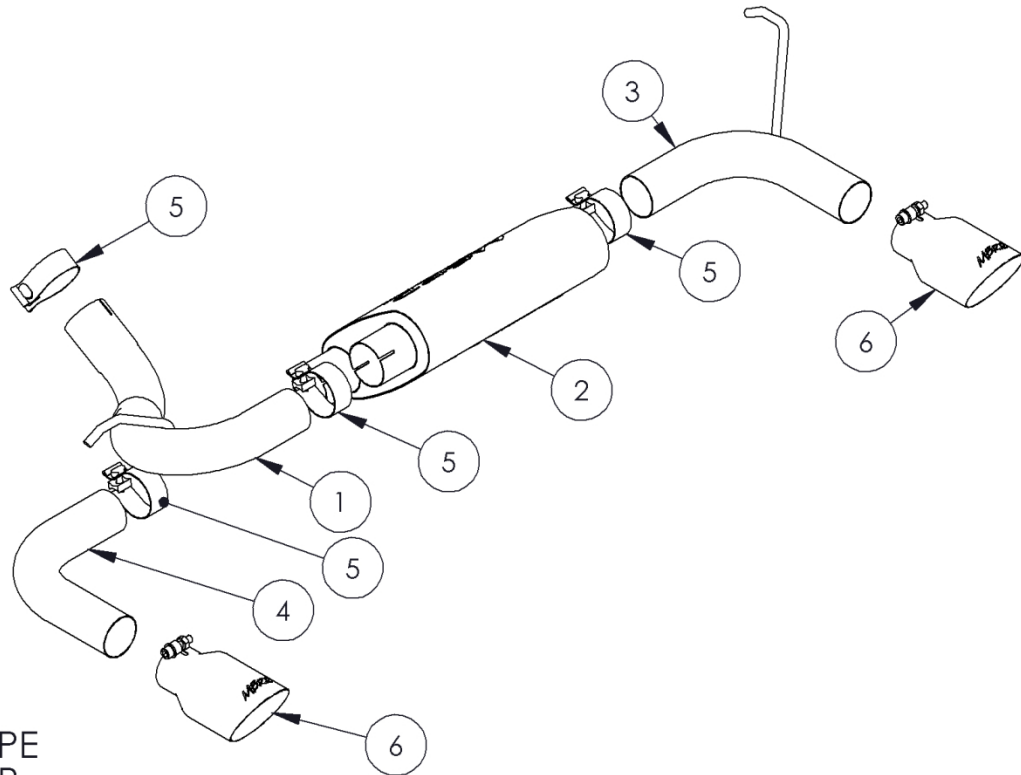


S5528

2007-14 JEEP
WRANGLER/RUBICON, 3.6L/3.8L V6,
AXLE BACK, DUAL REAR EXIT

MBRP
INC.
PERFORMANCE EXHAUST



1. INLET PIPE
2. MUFFLER
3. PASSENGER SIDE TAIL PIPE
4. DRIVER SIDE TAIL PIPE
5. 2 1/2" CLAMP (4PCS)
6. EXHAUST TIP

NOTE: SADDLE CLAMPS ARE USED IN ALUMINIZED SYSTEMS

PLEASE READ BEFORE STARTING INSTALLATION

While MBRP Inc. has made every effort to ensure that all components of this system are of superior quality and properly packaged, it is the installer's responsibility to ensure the following before removal of the factory exhaust:

- that ALL components shown above are present.
- that ALL mating components fit together.
- that there are no damaged components.
- that the system you have purchased is appropriate for your vehicle year, model and configuration.
- that the system will not interfere with any modifications previously installed or planned.
- that you have read and understand these instructions.

If you have any questions or are uncertain about any aspect of the installation of this system to your vehicle please contact your dealer before commencing installation.

Removal of Stock System



Figure 1



Figure 2

1. Apply a penetrating lubricant liberally to all exhaust fasteners, hangers and rubber insulators.
2. Start to remove the exhaust by loosening the clamp just before the muffler on the driver's side. **Refer to Figure 1.**
3. The muffler can be removed by removing the hangers from the rubber isolators, one on each side. **Refer to Figures 1&2.**

Installation of MBRP Inc. Performance Exhaust



Figure 3

1. Slide a 2 ½" **Clamp** over the **Inlet Pipe** and then loosely install it to the over axle pipe. Attach the **Inlet Pipe** hanger to the existing rubber isolator. **Refer to Figure 3.**

2. Slide a 2 ½" **Clamp** onto **Muffler** and loosely attach it to the **Inlet Pipe**. **Refer to Figure 3.**



Figure 4

3. Slide a 2 ½" **Clamp** over the **Passenger Side Tail Pipe** and install it onto the **Muffler**. Slide the **Passenger Side Tail Pipe** hanger into the existing the rubber insulator. **Refer to Figure 4.**

4. Slide a 2 ½" **Clamp** over the **Passenger Side Tail Pipe** and install it onto the **Muffler**. **Refer to Figure 5.**



Figure 5



Figure 6

5. Install the Exhaust Tips onto the Tail Pipes check alignment and tighten.
6. Align the exhaust as required. Starting at the front of the exhaust, tighten all clamps and connections.
7. Check along the whole length of the exhaust system to ensure that there is adequate clearance around the spare tire, fuel and brake lines or any wiring. If any interference is detected relocate or adjust.

Congratulations! You are ready to begin experiencing the improved performance and driving pleasure of your MBRP Inc. performance exhaust system. We know *you will enjoy your purchase.*