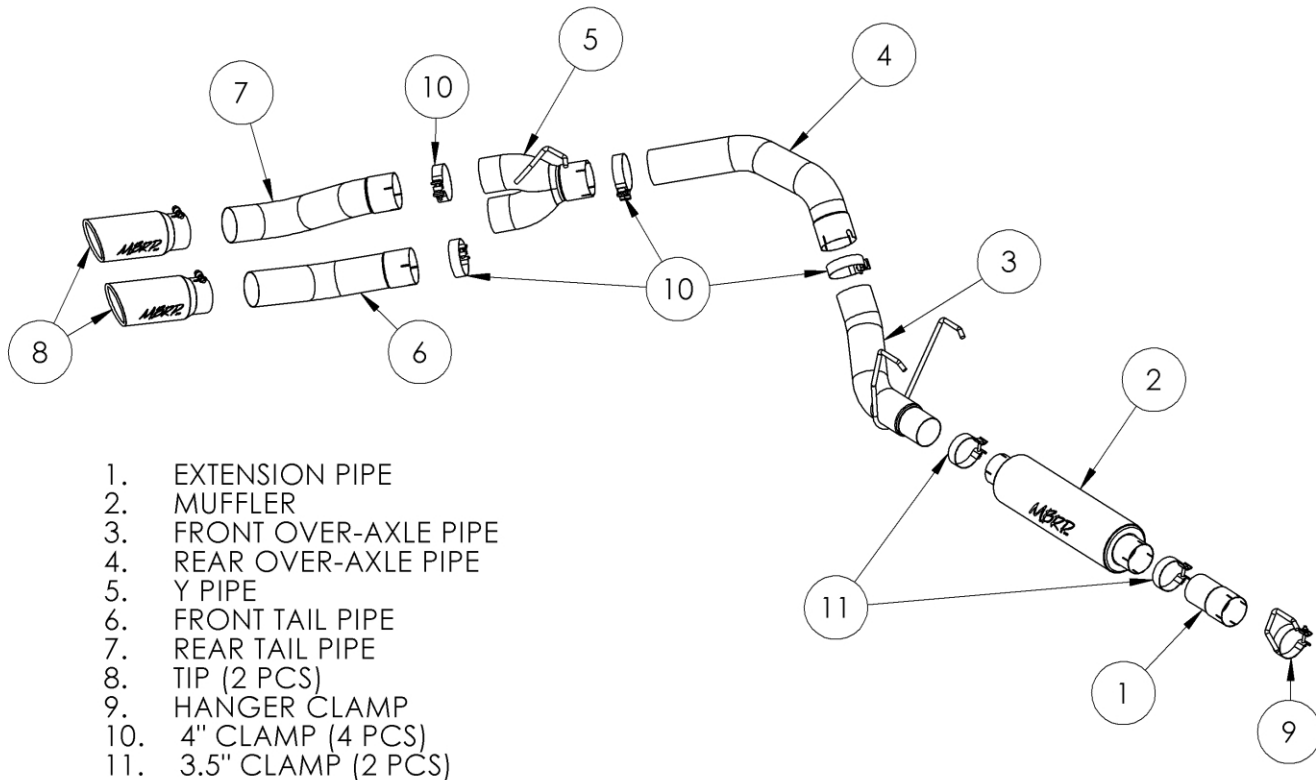


# S5150

2014-CURRENT RAM 2500/3500 5.7L/6.4L  
CAT BACK 4" SINGLE SIDE DUAL OUTLET

**MBRP**  
INC.  
PERFORMANCE EXHAUST



## PLEASE READ BEFORE STARTING INSTALLATION

While MBRP Inc. has made every effort to ensure that all components of this system are of superior quality and properly packaged, it is the installer's responsibility to ensure the following before removal of the factory exhaust:

- that ALL components shown above are present.
- that ALL mating components fit together.
- that there are no damaged components.
- that the system you have purchased is appropriate for your vehicle year, model and configuration.
- that the system will not interfere with any modifications previously installed or planned.
- that you have read and understand these instructions.

If you have any questions or are uncertain about any aspect of the installation of this system to your vehicle please contact your dealer before commencing installation.

**Removal of Stock System:**



**Figure 1**

1. Apply a penetrating lubricant liberally to all exhaust fasteners, hangers and rubber isolators.

2. Loosen the nut on the clamp on the factory tailpipe.

**Refer to Figure 1.**

3. Remove the tail pipe from the OEM muffler then from the OEM rubber hanger. Remove the stock tail pipe from the vehicle. Completely remove the OEM rubber tail pipe hanger as it will not be reused.

4. Loosen the nut on the clamp on the OEM muffler. Remove the ground strap from the passenger side muffler hanger and remove the muffler.

**Refer to Figure 2.**



**Figure 2**

**Installation of MBRP Inc. Performance Exhaust:**

1. Install the **Extension Pipe** onto the factory pipe. Take care to ensure the factory locating tab is in the notch.

**Refer to Figure 3.**

2. Install the **Hanger Clamp** onto the **Extension Pipe** and into the factory isolator.

**Refer to Figure 4.**



**Figure 3**



**Figure 4**



**Figure 5**

3. Place a **3.5" Clamp** onto the **Muffler** inlet, and install the **Muffler** onto the **Extension Pipe**.  
**Refer to Figure 5.**

4. Place a **3.5" Clamp** over the **Muffler** outlet and install the **Front Over-Axle Pipe** into the **Muffler** and the factory isolators.  
**Refer to Figure 6.**



**Figure 6**

5. Start the **Y-Pipe** hanger into the OEM rubber isolator.  
**Refer to Figure 7.**

6. Install the **Rear Over-Axle Pipe** into the **Y-Pipe**. Place two **4" Clamps** over the **Rear Over-Axle Pipe** ensuring they will be able to be tightened. Do not tighten any clamps until all parts are installed and aligned.



**Figure 7**

7. Install the Rear Over-Axle Pipe onto the **Front Over-Axle Pipe**. This may require forcing the **Y-Pipe** towards the rear of the truck almost until it comes out of the OEM rubber isolator.  
**Refer to Figure 8.**



**Figure 8**



**Figure 9**

8. Place one **4" Clamp** over the **Rear Tail Pipe** and install onto the upper branch of the **Y-Pipe**.  
**Refer to Figure 9.**



**Figure 10**

9. Place one **4" Clamp** over the **Front Tail Pipe** and install onto the lower branch of the **Y-Pipe**.  
**Refer to Figure 10.**

10. Align the **Front Tail Pipe** and the **Rear Tail Pipe** with each other and adjust the **Y-Pipe** and **Over-Axle Pipes** to maximize clearance around the suspension components and spare tire heat shield. Snug, but do not completely tighten all connection points.

11. Install the **Exhaust Tips** and adjust to your liking. The **Exhaust Tips** can only be installed on the straight section of the **Tail Pipes**. Attempting to force them back farther may not allow them to tighten and align properly.  
**Refer to Figures 11 and 12.**



**Figure 11**

12. Once everything is aligned, completely tighten all **Clamps**.

13. Check along the whole length of the exhaust system to ensure that there is adequate clearance around the suspension, heat shields, fuel and brake lines or any wiring. If any interference is detected relocate or adjust.

14. It is recommended to tack weld each joint, including the **Exhaust Tips** to ensure vibrations do not allow any pieces to become detached.



**Figure 12**



**Congratulations!** You are ready to begin experiencing the improved power, sound and driving experience of your **MBRP Inc.** performance exhaust system. We hope you enjoy your purchase.